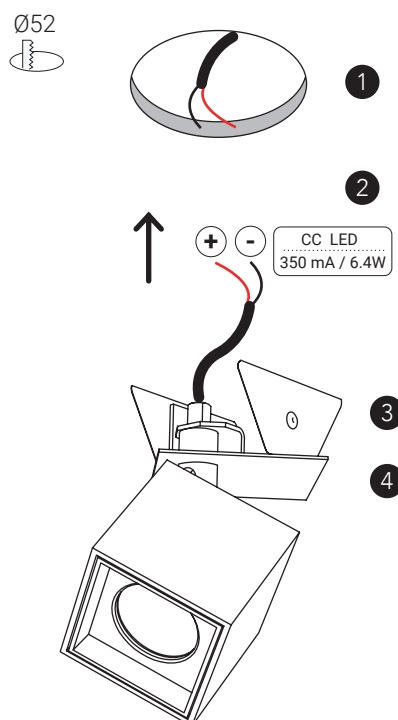
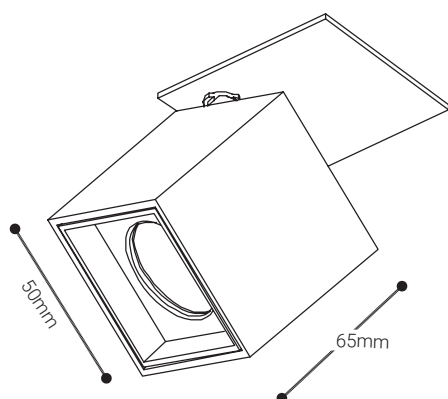


# ASSEMBLY DOCTOR ZQUARE MOVE

design dark studio for dark



- 1 Make an opening of diameter 52mm in the ceiling.
- 2 Connect the power supply.  
Pay attention to the polarity.  
Put the driver on the ceiling.
- 3 Push the springs to fit into the hole and insert the led fixture in.
- 4 Put the power on.

## LIGHT SOURCE

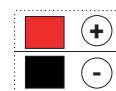
Touching the LED can result in permanent damage of the light source.  
The light source contained in this luminaire shall only be replaced by the manufacturer or his service agent or a similar qualified person.  
Always be properly grounded when touching leads or circuitry inside the luminaire.

## !!! Never connect the fixture on 220-240V ac without driver.

Lighting fixture is constant current driven.  
For drivers purchase, contact your sales contact.  
Always connect constant current leds in serial connection.

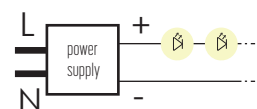
Check catalogue P 488-489 (Installation of LED)

## LED CONNECTION



## ELECTRICAL CIRCUIT

multiple fixtures on 1 driver



Constant current LED inside. Should always be put in serial connection. Please ask our sales team for max. amount of fixtures on 1 driver. Check pg 488 in the dark catalogue.

