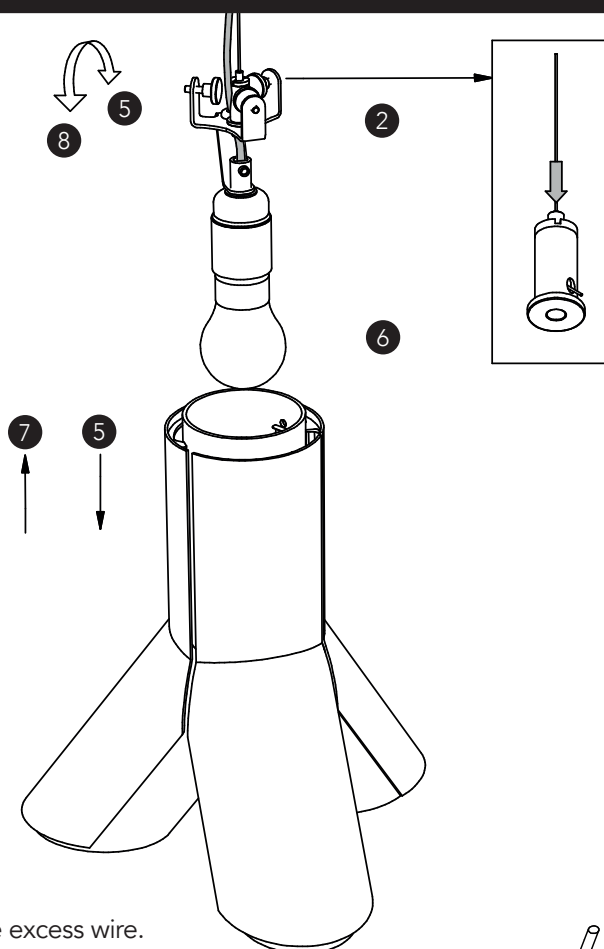
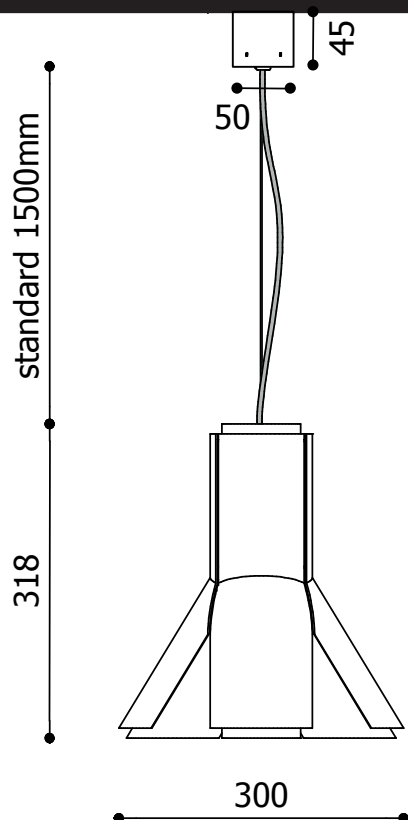


ASSEMBLY DOCTOR BOKY

design Frank Janssens for dark



- 1 Mount the ceiling bracket with 2 screws onto the ceiling.
- 2 Lock the suspension cable to the preferred height. Cut the excess wire.
- 3 Adjust the power cable of fixture to the preferred height and fasten the strainrelief.
- 4 Connect the power supply and close the ceiling base with the 3 hexagonal screws.
- 5 Turn the knurled screws inwards and lower the body.
- 6 (Re)place the lamps. Respect the maximum wattage of the fixture.
- 7 Place the lamp-unit inside the body.
- 8 Screw the knurled screws outwards into the holes of the body.

Lamp possibilities:

E27	max 28 Watt	QDS
E27	max 9 Watt	TC-TSE
E27	max 12 Watt	LED

LIGHT SOURCE

Touching the LED can result in permanent damage of the light source. The light source contained in this luminaire shall only be replaced by the manufacturer or his service agent or a similar qualified person. Always be properly grounded when touching leads or circuitry inside the luminaire.

!!! Never connect the fixture on 220-240V ac without driver.

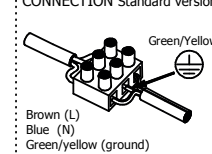
Lighting fixture is constant current driven.
For drivers purchase, contact your sales contact.
Always connect constant current leds in serial connection.

Check catalogue P 488-489 (Installation of LED)

Alu - PE



CONNECTION Standard version:



Brown (L)

Blue (N)

Green/yellow (ground)