

# NINZA

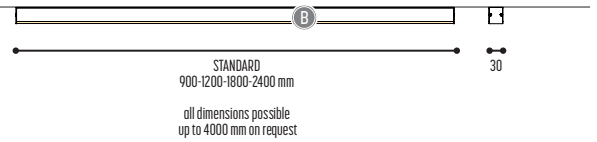
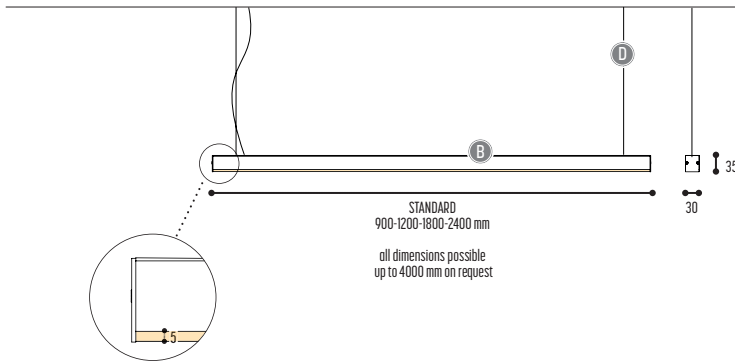
design dark studio for dark

## NINZA S

1796-BB-FFGH-DD-K-NN(N)

## NINZA C

1797-BB-FFGH-K-NN(N)



BB	COLORS	02	Black
		03	White
		RAL color on request	
FF	LED	09	>80 CRI • 450 Lm/m / 9,6 W/m
		14	>90 CRI • 700 Lm/m / 14,4 W/m
		28	>90 CRI • 1450 Lm/m / 28,8 W/m
G	DIFFUSER	P	Plexi
H	COLOR TEMP.	2	2700 K
		3	3000 K
		4	4000 K
DD	SUSP. CABLE.	01	1,5 m
		02	2,5 m
K	DRIVER	0	Non dimmable (extern)
		2	Dimmable 1-10 V (extern)
		3	Dali (extern)
		4	Phase cut (extern)
NN(N)	LENGTH	90	900 mm
		120	1200 mm
		180	1800 mm
		240	2400 mm
all dimensions possible up to 4000 mm on request			



# DARK®

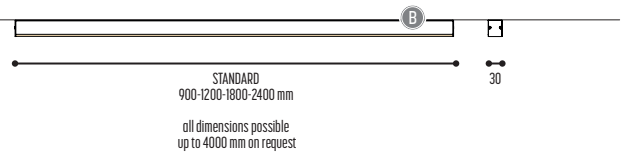
© DARK 2021 - Dark has the right to change any technical data, dimensions, colors and characteristics without prior notice. All rights reserved. Please always check the latest technical data sheet on [www.dark.be](http://www.dark.be). Any reproduction of the Dark products is strictly forbidden and can seriously damage your health and endanger your bank account.

DARK at night nv  
 Vliegplein 43  
 9991 Maldegem — Belgium  
 +32 50 71 81 40  
[info@dark.be](mailto:info@dark.be)  
[www.dark.be](http://www.dark.be)



## NINZA

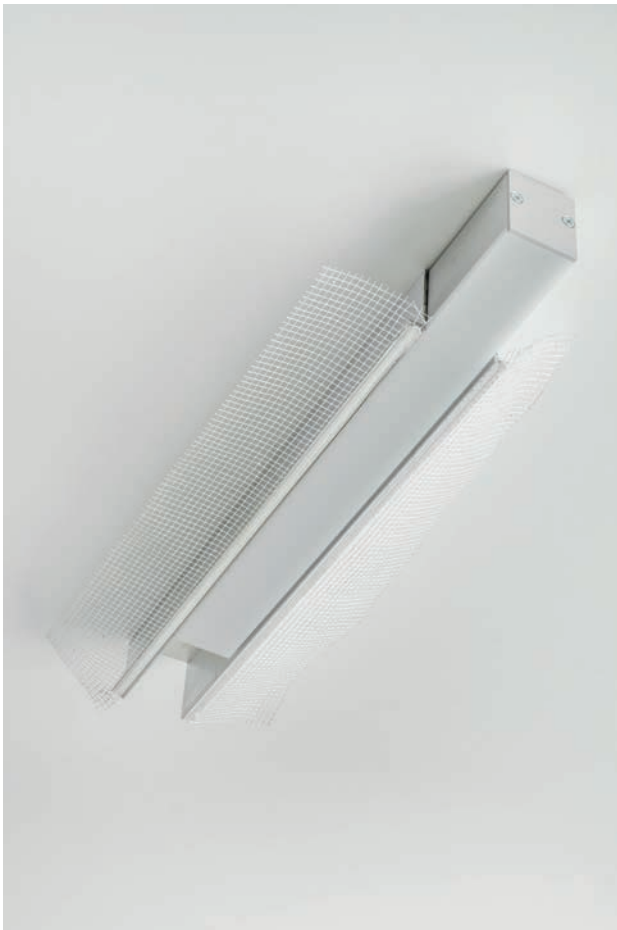
<b>[IP65]</b>	<b>1800-BB-FFGH-K-NN(N)</b>			SEAL-LED-PLEXI						
<b>[IP67]</b>	<b>1803-BB-FFGH-K-NN(N)</b>			SEAL-LED						



BB	COLORS	02		Black	
		03		White	
					RAL color on request
FF	LED	09	>80 CRI • 450 Lm/m / 9,6 W/m		
		14	>90 CRI • 700 Lm/m / 14,4 W/m		
		28	>90 CRI • 1450 Lm/m / 28,8 W/m		
G	DIFFUSER	P	Plexi		
H	COLOR TEMP.	2	2700 K		
		3	3000 K		
		4	4000 K		
K	DRIVER	0	Non dimmable (extern)		
		2	Dimmable 1-10 V (extern)		
		3	Dali (extern)		
		4	Phase cut (extern)		
NN(N)	LENGTH	90	900 mm		
		120	1200 mm		
		180	1800 mm		
		240	2400 mm		
		all dimensions possible up to 4000 mm on request			

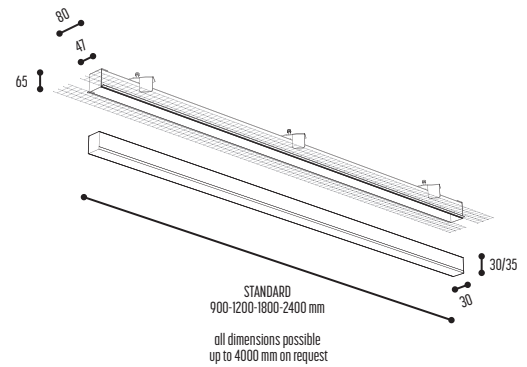
Alu-PC





## NINZA RECESSED

- IP20 1807-BB-FFGH-K-NN(N)
- IP65 1806-BB-FFGH-K-NN(N) SEALED+PLEXI
- IP67 1808-BB-FFGH-K-NN(N) SEALED



BB	COLORS	02	Black
		03	White
FF	LED	09	>80 CRI • 450 Lm/m / 9,6 W/m
		14	>90 CRI • 700 Lm/m / 14,4 W/m
		28	>90 CRI • 1450 Lm/m / 28,8 W/m
G	DIFFUSER	P	Plexi
H	COLOR TEMP.	2	2700 K
		3	3000 K
		4	4000 K
K	DRIVER	0	Non dimmable (extern)
		2	Dimmable 1-10 V (extern)
		3	Dali (extern)
		4	Phase cut (extern)
NN(N)	LENGTH	90	900 mm
		120	1200 mm
		180	1800 mm
		240	2400 mm
		all dimensions possible up to 4000 mm on request	

Alu-PC

