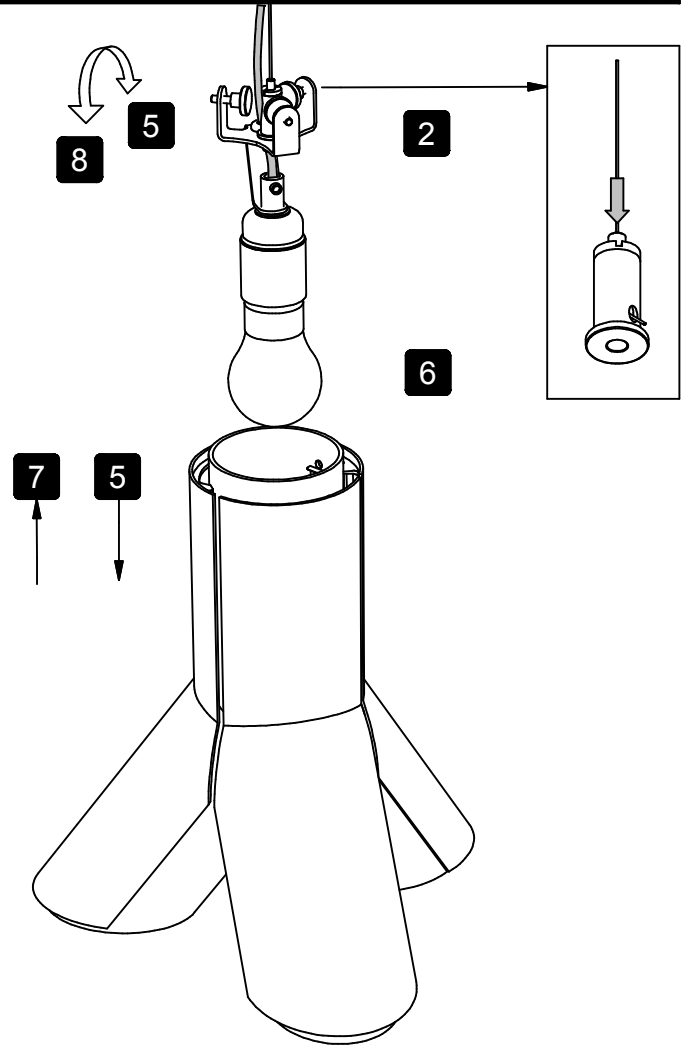
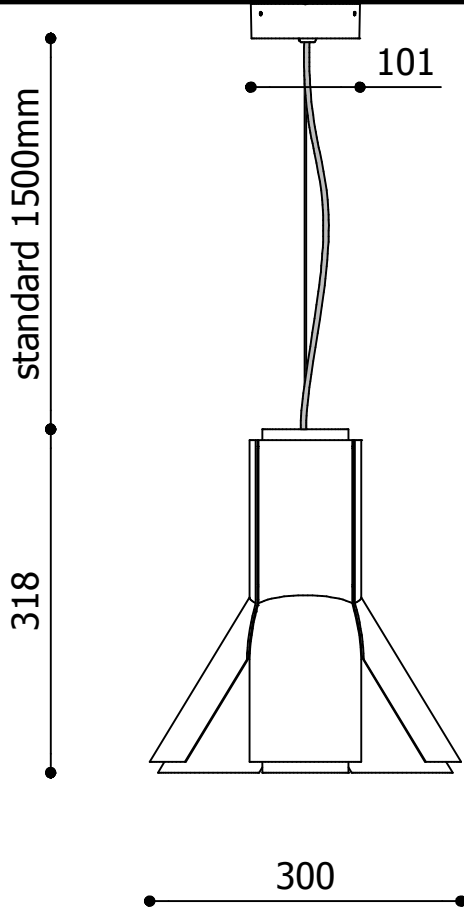


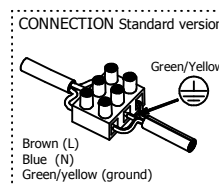
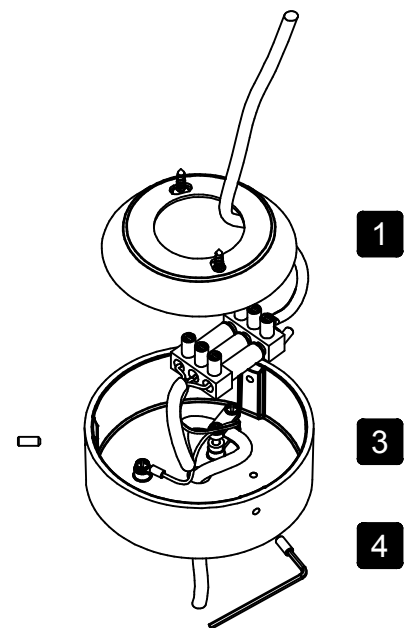
Assembly Doctor for BOKY

Design by Frank Janssens for DARK



1. Mount the ceiling bracket with 2 screws onto the ceiling.
2. Lock the suspension cable to the preferred height. Cut the excess wire.
3. Adjust the power cable of fixture to the preferred height and fasten the strainrelief.
4. Connect the power supply and close the ceiling base with the 3 hexagonal screws.
5. Turn the knurled screws inwards and lower the body.
6. (Re)place the lamps. Respect the maximum wattage of the fixture.
7. Place the lamp-unit inside the body.
8. Screw the knurled screws outwards into the holes of the body.

Lamp possibilities:



Dark at night
 Vliegplein 43 - 9991 Maldegem
 Belgium - Europe

tel +32(0)50/71.81.40
 fax +32(0)50/71.81.38
 mail info@dark.be

| | | |
|-----|--------------------------|--------|
| E27 | max 28 Watt | QD45 |
| E27 | max 9 Watt | TC-TSE |
| E27 | max 12 Watt | LED |

| | | | | |
|----|--------|------|------|-------|
| CE | 230 V | ⏏ | 0,6m | 1,6kg |
| 🏠 | 850 °C | IP20 | 🔧 | 🔩 |