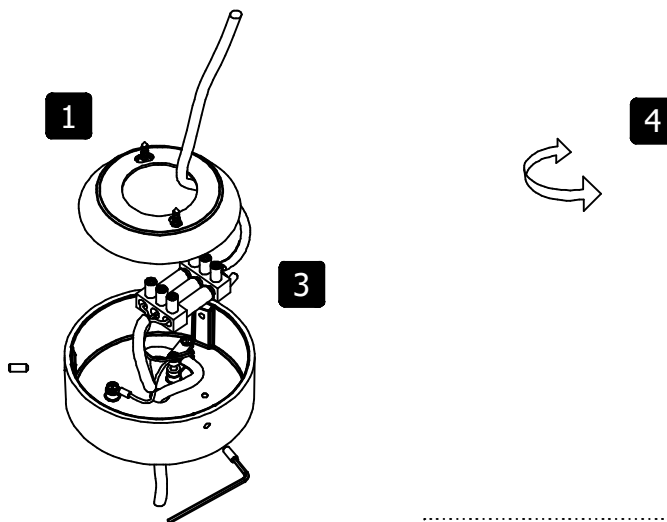
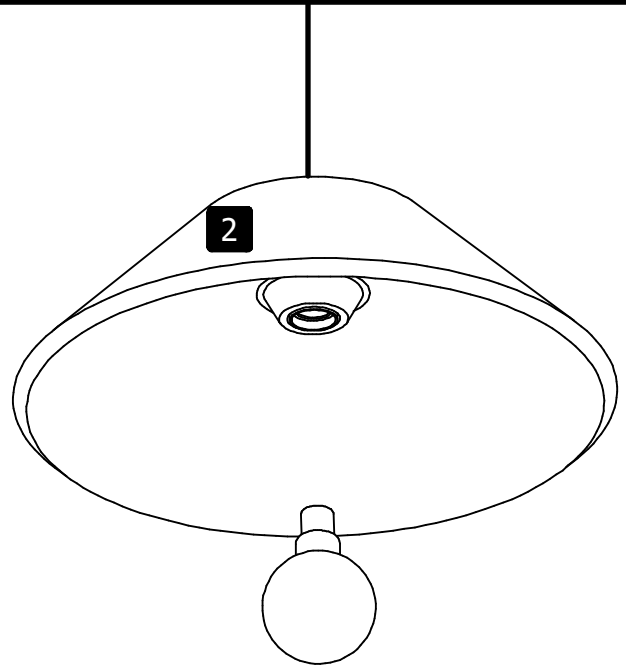
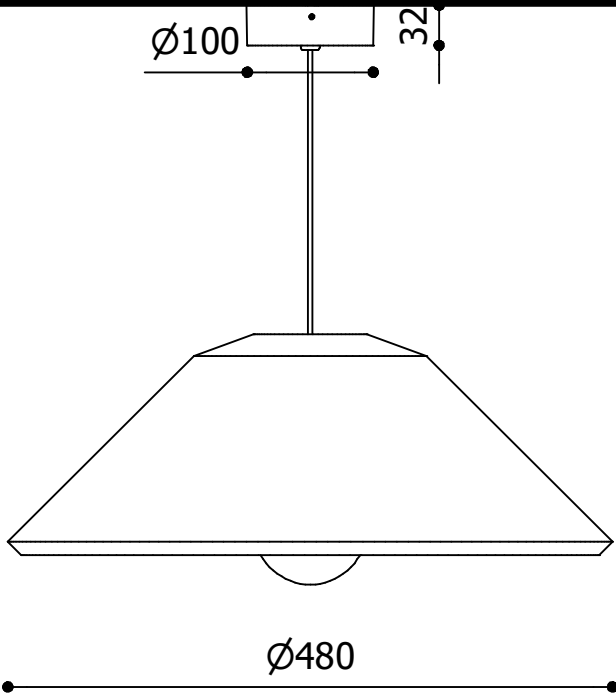


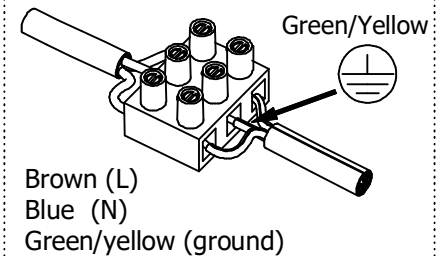
Assembly doctor for CAPITANO

Design by Dark studio for DARK



1. Mount the ceiling bracket with 2 screws onto the ceiling.
2. Adjust the fixture to the preferred height and fasten the strainrelief.
3. Connect the power supply and close the ceiling base.
4. (Re)place the lamp, respect maximum wattage.

CONNECTION Standard version



DARK <<

www.dark.be

Dark at night
Vliegplein 43 - 9991 Maldegem
Belgium - Europe

tel +32(0)50/71.81.40
fax +32(0)50/71.81.38
mail info@dark.be

Lamp possibilities:

