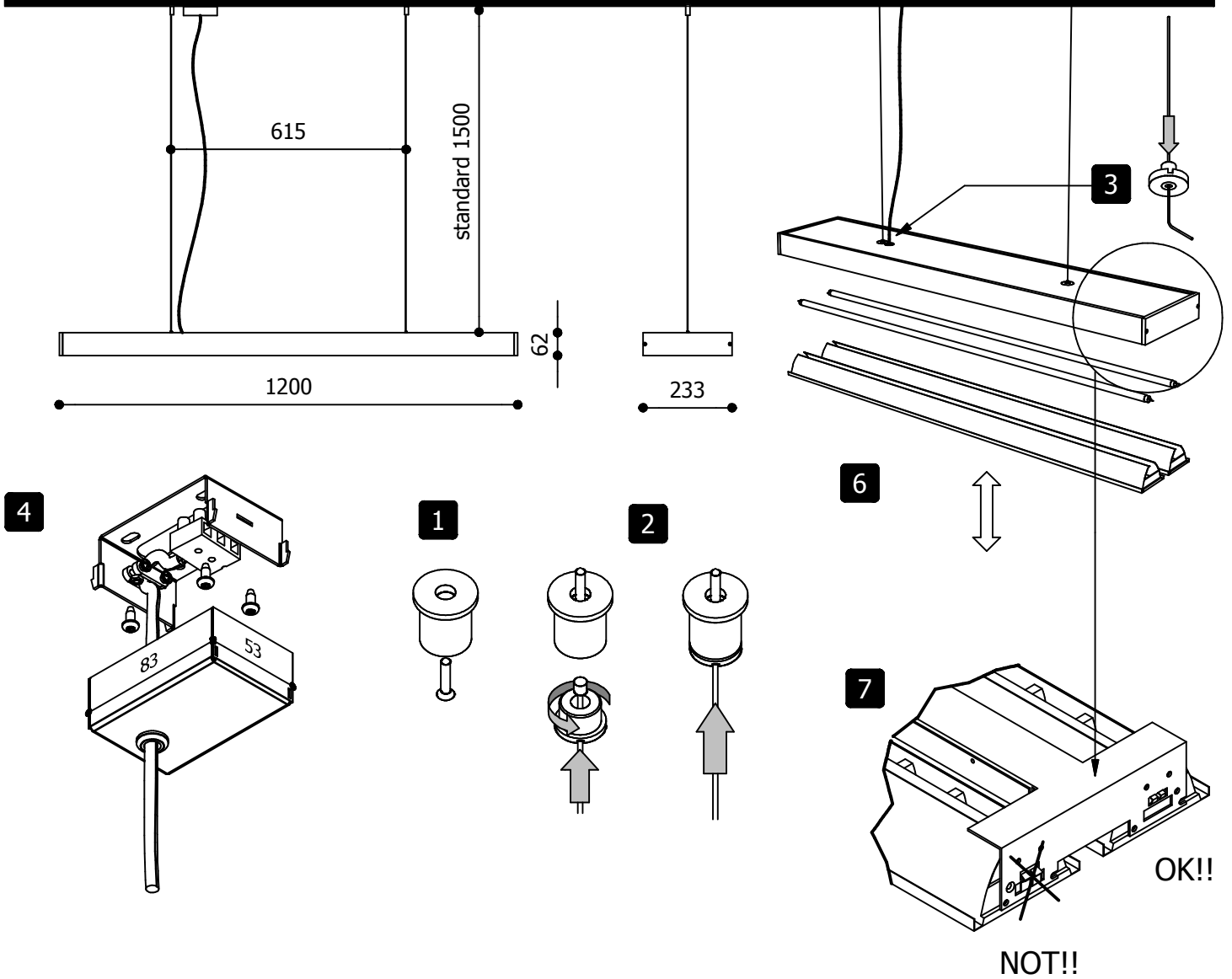
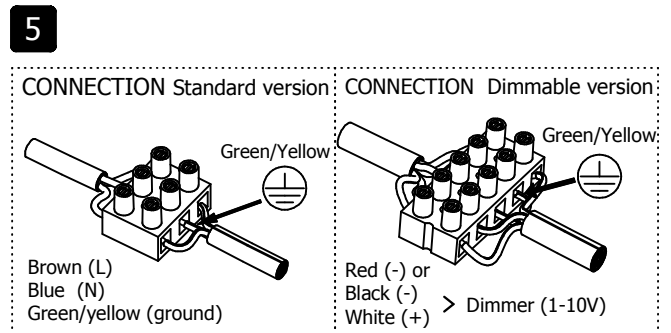


# Assembly doctor for ICE

Design by Antony Duffeleer for DARK



1. Screw the gripper body onto the ceiling.
2. Turn the gripper stop into the gripper body.
3. Lock the cables with the adjuster on top of the fixture on the preferred height.
4. Mount the ceiling bracket with 2 screws onto the ceiling.
5. Connect the power supply and close the ceiling base.
6. Insert 2 lamps. Respect the wattage of the gear.
7. Mount the mirror reflector.



Dark at night  
 Vliegplein 43 - 9991 Maldegem  
 Belgium - Europe

tel +32(0)50/71.81.40  
 fax +32(0)50/71.81.38  
 mail info@dark.be

Lamp possibilities :

2x		<b>28</b> Watt	G5
2x		<b>54</b> Watt	G5

EVG		CE			
EVGD	PMMA 650°C	PC 960°C			
DALI	IP 20	BAP 60°			