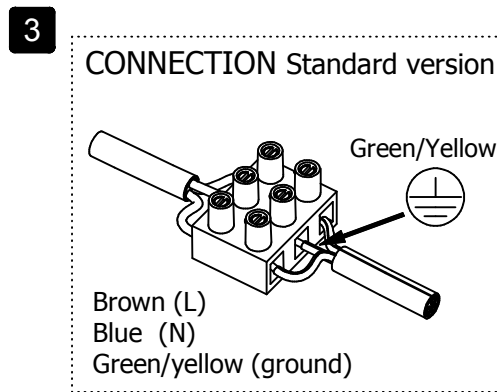
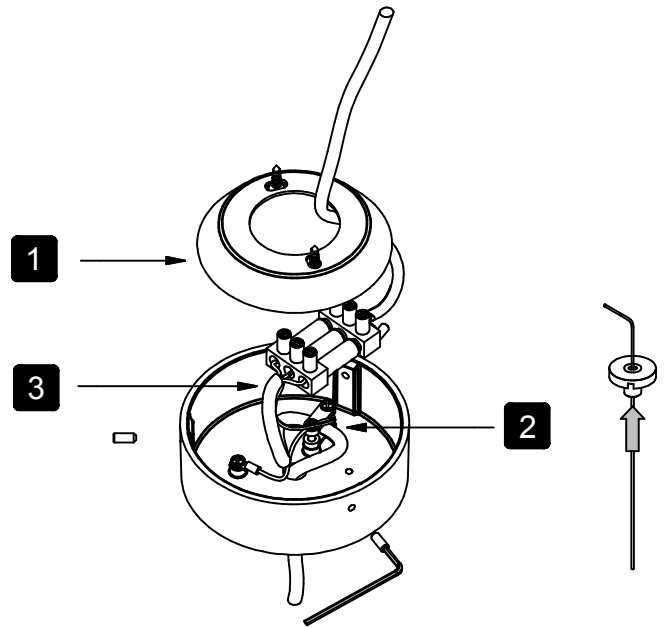
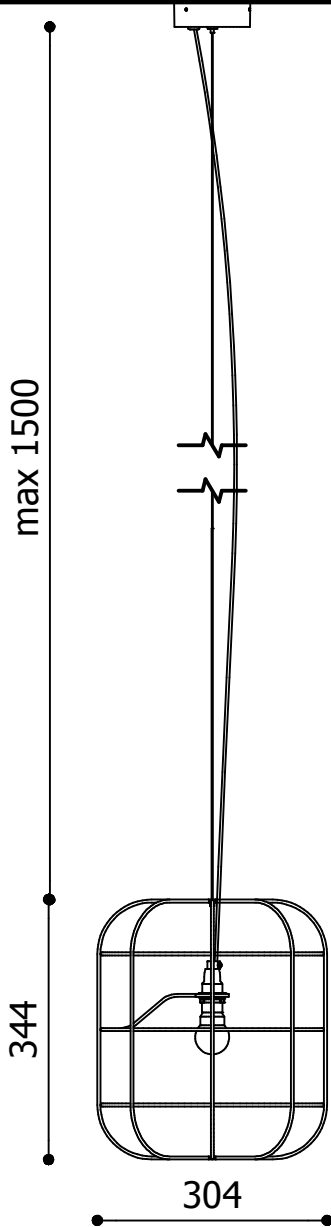


Assembly Doctor for LA CAGE S

Design Stefan Schöning for DARK



1. Mount the ceiling bracket with 2 screws onto the ceiling.
2. Adjust the fixture to the preferred height (steelcable + power supply) and fasten the strain relief.
3. Connect the powersupply. Close the ceiling base.
4. (Re)Place the lamp. Respect the wattage.

DARK <<

www.dark.be

Dark at night
Vliegplein 43 - 9991 Maldegem
Belgium - Europe

tel +32(0)50/71.81.40
fax +32(0)50/71.81.38
mail info@dark.be

Lamp possibilities

| | | |
|--|--------------------------|-----|
| | max 28 Watt | E14 |
| | max 11 Watt | E14 |
| | max 11 Watt | E14 |

