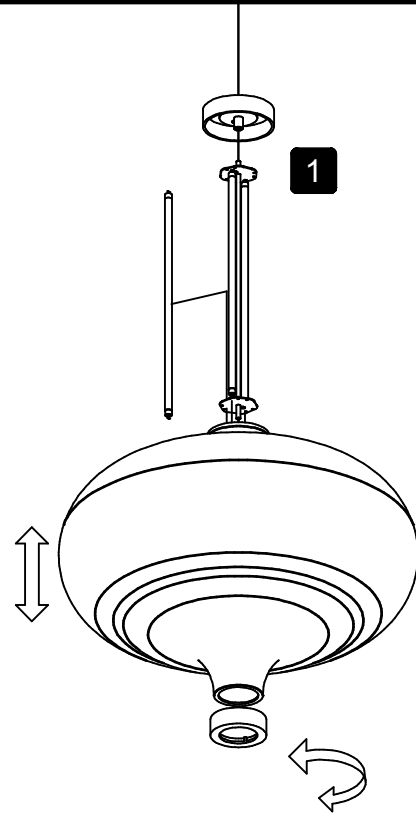
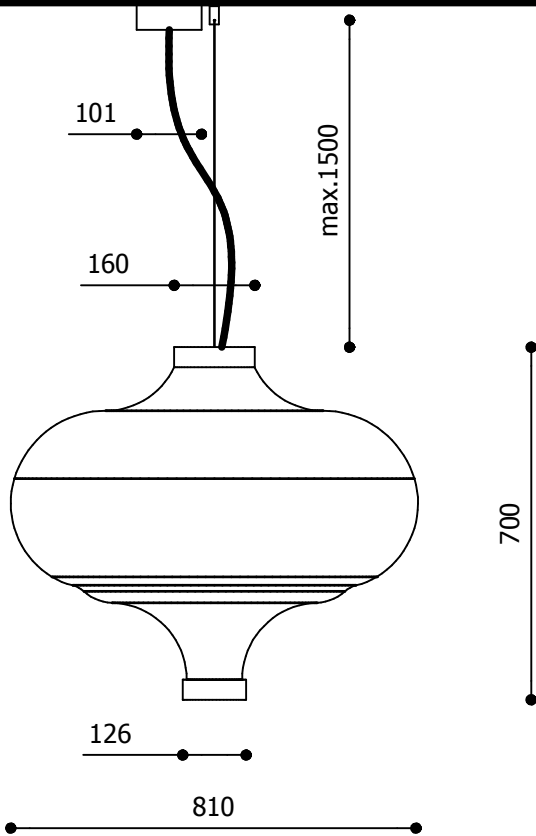
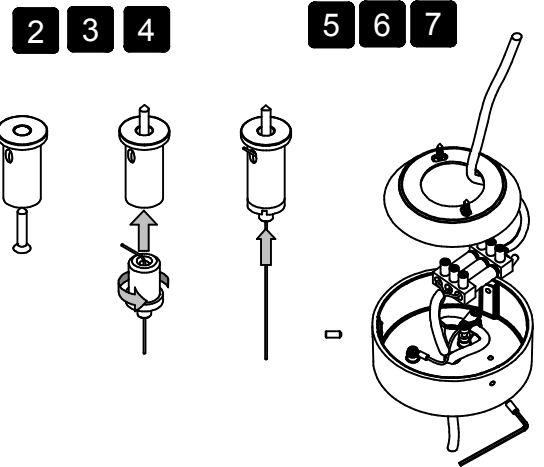


Assembly doctor for NO COPY

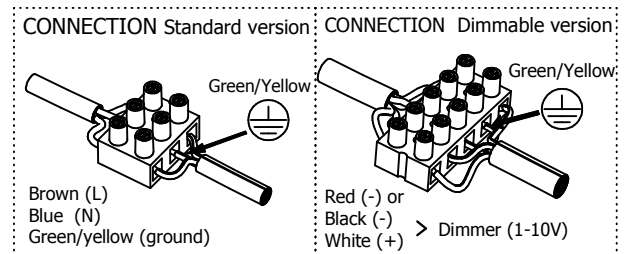
Design by Anthony Duffeleer for DARK



1. To (re)place the lamps, remove the top-plate (with lamp-rod) and unscrew the bottom-plate.
2. Screw the gripper body onto the ceiling.
3. Turn the adjuster into the gripper body.
4. Lock the cables on the preferred height.
5. Mount the ceiling bracket with 2 screws onto the ceiling.
6. Adjust the fixture to the preferred height and fasten the pull relief.
7. Connect the power supply and close the ceiling base.



WARNING : DARK TAKES NO RESPONSIBILITY FOR THE CONNECTION BETWEEN THE SUSPENSION-EYE AND THE CEILING.



lamp possibilities:



Dark at night
Vliegplein 43 - 9991 Maldegem
Belgium - Europe

tel +32(0)50/71.81.40
fax +32(0)50/71.81.38
mail info@dark.be

3X	T16	14 Watt	G5	EVG	EVGD	DALI	NO DIM	1 ... 10V	ONE4ALL
3X	T16	24 Watt	G5	EVG	EVGD	DALI	NO DIM	1 ... 10V	ONE4ALL
230 V	⊕	CE	15 kg	0.2m	House icon	IP20	850 °C		