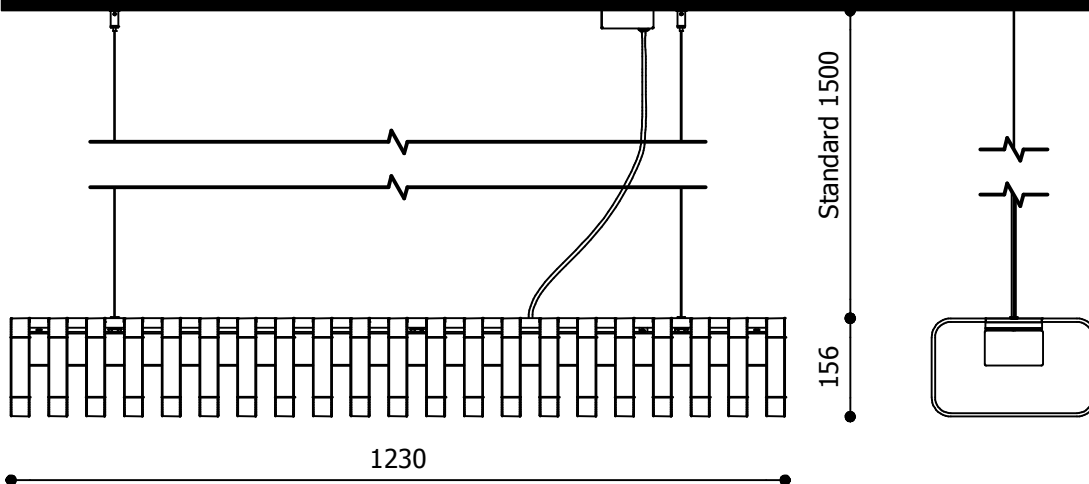
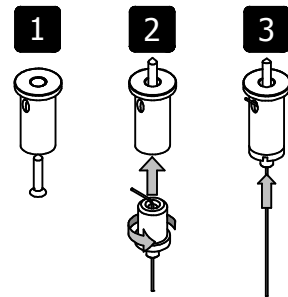
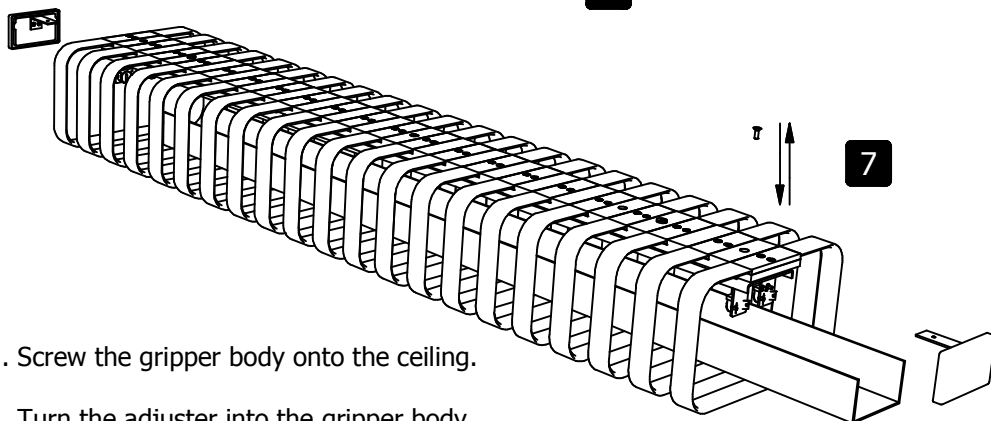


Assembly Doctor for SPINE

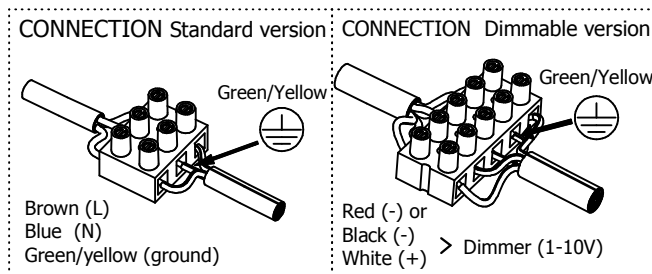
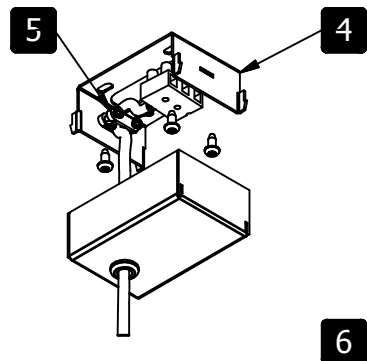
Design Pieterjan for DARK



6



1. Screw the gripper body onto the ceiling.
2. Turn the adjuster into the gripper body.
3. Lock the cables on the preferred height.
4. Mount the ceiling bracket with four screws onto the ceiling.
5. Adjust the fixture to the preferred height and fasten the strainrelief.
6. Connect the power supply and close the ceiling base.
7. Remove the 2 screws.
8. Remove the 2 endcaps and diffuser.
9. Insert 2 lamps. Respect the wattage of the gear.
10. Mount the diffuser and fixate the endcaps with the 2 screws.



DARK <<

www.dark.be

Dark at night
Vliegplein 43 - 9991 Maldegem
Belgium - Europe

tel +32(0)50/71.81.40
fax +32(0)50/71.81.38
mail info@dark.be

Lamp possibilities :

2x	T16	28 Watt	G5	NO DIM	DALI				
2x	T16	54 Watt	G5	NO DIM	DALI	1 ... 10V			

CE	⊕	230 V
960 °C	0,3m	IP40
6 kg		