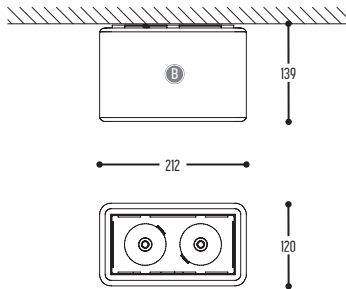


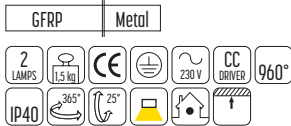
PAINT-IT 2



Fire resistant



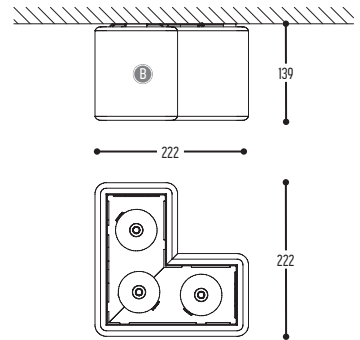
870-BB(B)-CCC-00
870-BB(B)-EFFGGH-00-K



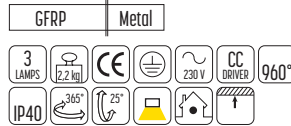
PAINT-IT 3



Fire resistant



871-BB(B)-CCC-00
871-BB(B)-EFFGGH-00-K

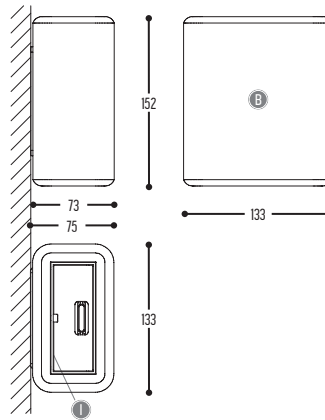


BB(B)						CCC									
COLORS						TYPE									
00						230 V	065	GU10		QPAR51 (MAX 50 W)					
02		Black	104		Soft Green		085	GU5,3-GX5,3		QR-CB-C51 (MAX 35 W) incl. transfo					
03		White	105		Cream										
100		Chocolat	106		Blue										
101		Soft Pink	107		Yellow										
102		Soft Yellow	108		Green										
103		Soft Blue	109		Red										
						EFF		GG	H	K					
						CRI • LUMENOUTPUT		REFLECTOR	COLOR TEMP.	DRIVER					
						LED	806	>85 CRI • 600 Lm / 350 mA / 7,2 W		22	22°	2	2700 K	0	incl./non dim
										34	34°	3	3000 K	1	excl.
										54	54°	4	4000 K	2	Dim 1-10 V

PAINT-IT WALL



Fire resistant



874-BB(B)-80900H-00-I-K

GFRP | Metal



BB(B)				EFF			H		I		K	
COLORS				CRI • LUMENOUTPUT			COLOR TEMP.		INSIDE COLOR		DRIVER	
00				LED	809	>85 CRI • 2x 450 Lm / 700mA / 6 W	3	3000 K	6	Gold	0	incl./non dim
02		Black	104		Soft Green		4	4000 K			1	excl.
03		White	105		Cream						2	Dim 1-10 V (extern)
100		Chocolat	106		Blue						3	Dali (extern)
101		Soft Pink	107		Yellow							
102		Soft Yellow	108		Green							
103		Soft Blue	109		Red							