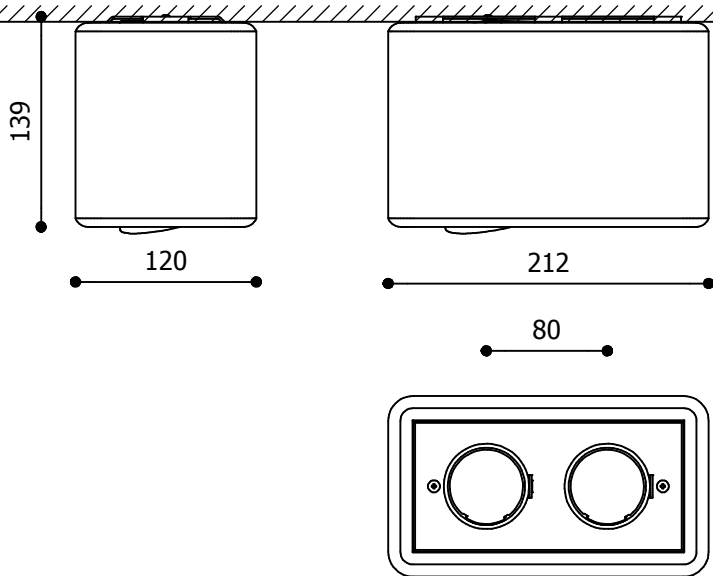


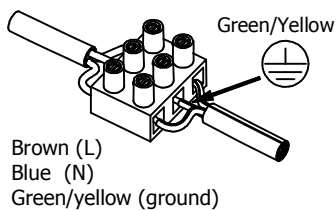
Assembly Doctor for PAINT-IT 2 QPAR51/ GU-10 50W

Design by Nuuv for DARK



1. Unlock the 2 screws (1/4-turn) of the lamp unit.
2. Remove the lamp unit from the paintable housing.
3. Paint the housing. (If needed: unmount the top bracket before painting.)
4. Connect the female connector to the powersupply.

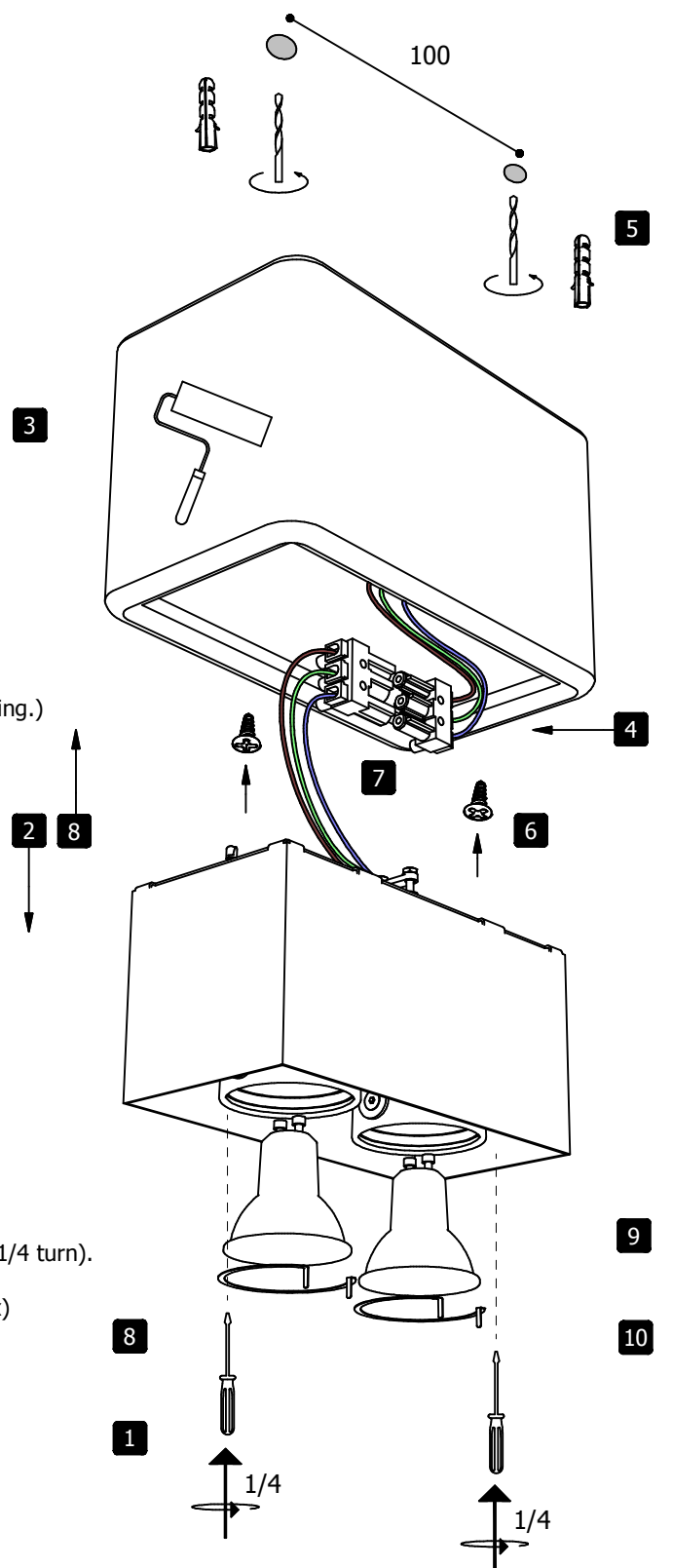
CONNECTION Standard version



5. Drill 2 holes.
6. Fixate the housing to the ceiling using 2 screws.
7. Connect the male and female connector.
8. Insert the lamp unit into to the housing and lock with the 2 screws (1/4 turn).
9. Insert a lamp into the lamp ring. Respect the maximum wattage. (2x)
10. Fixate the lamp with the lamp spring. (2x)

PAINTING

The housing is ready to be painted (primed).
Use lacquer, wall paint or a spray-can to obtain the desired effect.



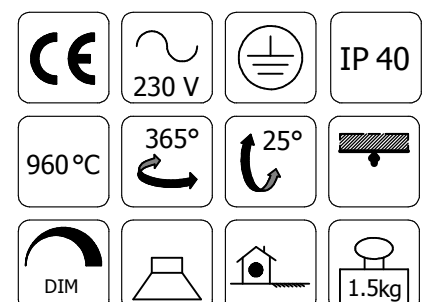
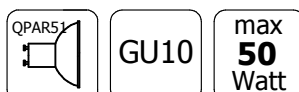
DARK <<

www.dark.be

Dark at night
Vliegplein 43 - 9991 Maldegem
Belgium - Europe

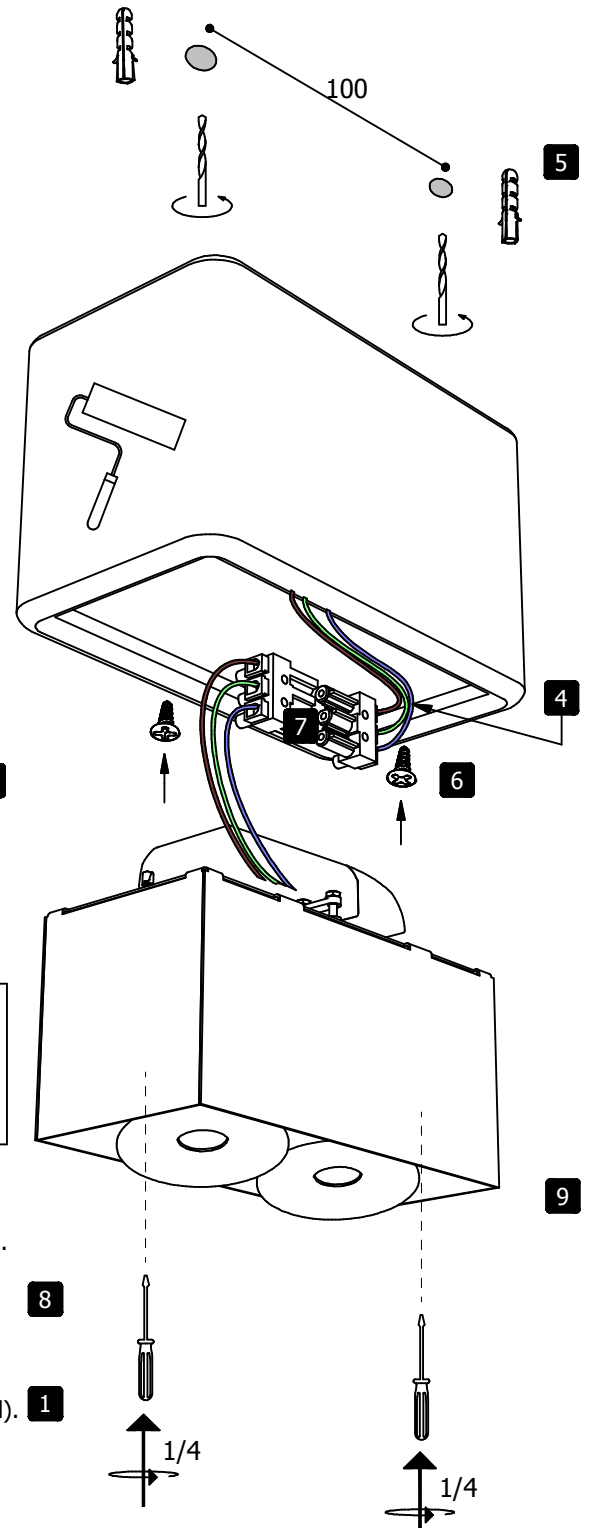
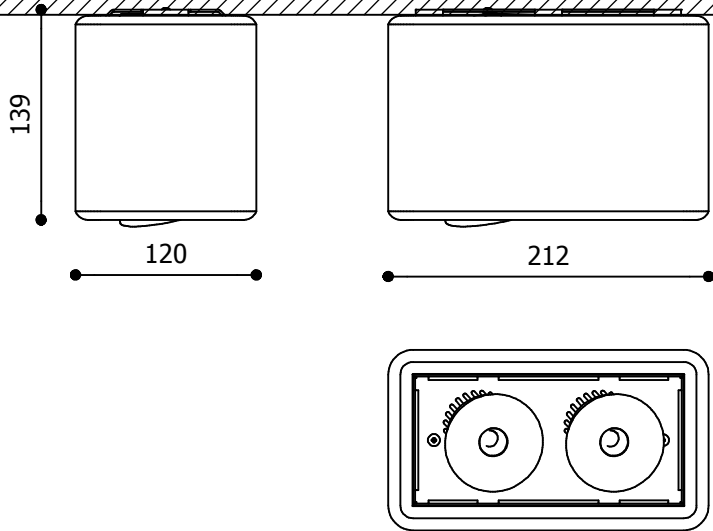
tel +32(0)50/71.81.40
fax +32(0)50/71.81.38
mail info@dark.be

2x

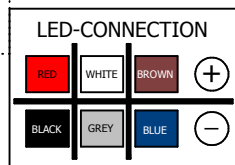
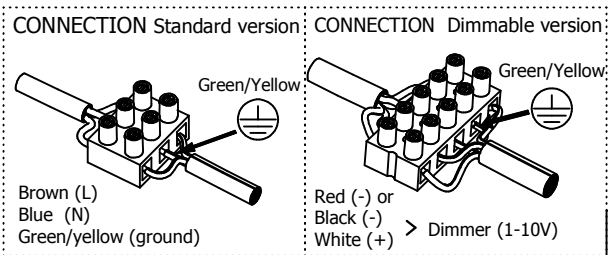


Assembly Doctor for PAINT-IT 2 LED

Design by Nuuv for DARK



1. Unlock the 2 screws (1/4-turn) of the lamp unit.
2. Remove the lamp unit from the paintable housing.
3. Paint the housing. (If needed: unmount the top bracket before painting.)
4. (If needed connect the driver and the male connector to the driver)
Connect the female connector to the powersupply + the dimming cables.



5. Drill 2 holes.
6. Fixate the housing to the ceiling using 2 screws.
7. Connect the male and female connector.
8. Insert the lamp unit into to the housing and lock with the 2 screws (1/4 turn).
9. Put the power on.

PAINTING

If you ordered the paintable version: the housing is ready to be painted (primed). Use lacquer, wall paint or a spray-can to obtain the desired effect.



Dark at night
Vliegplein 43 - 9991 Maldegem
Belgium - Europe

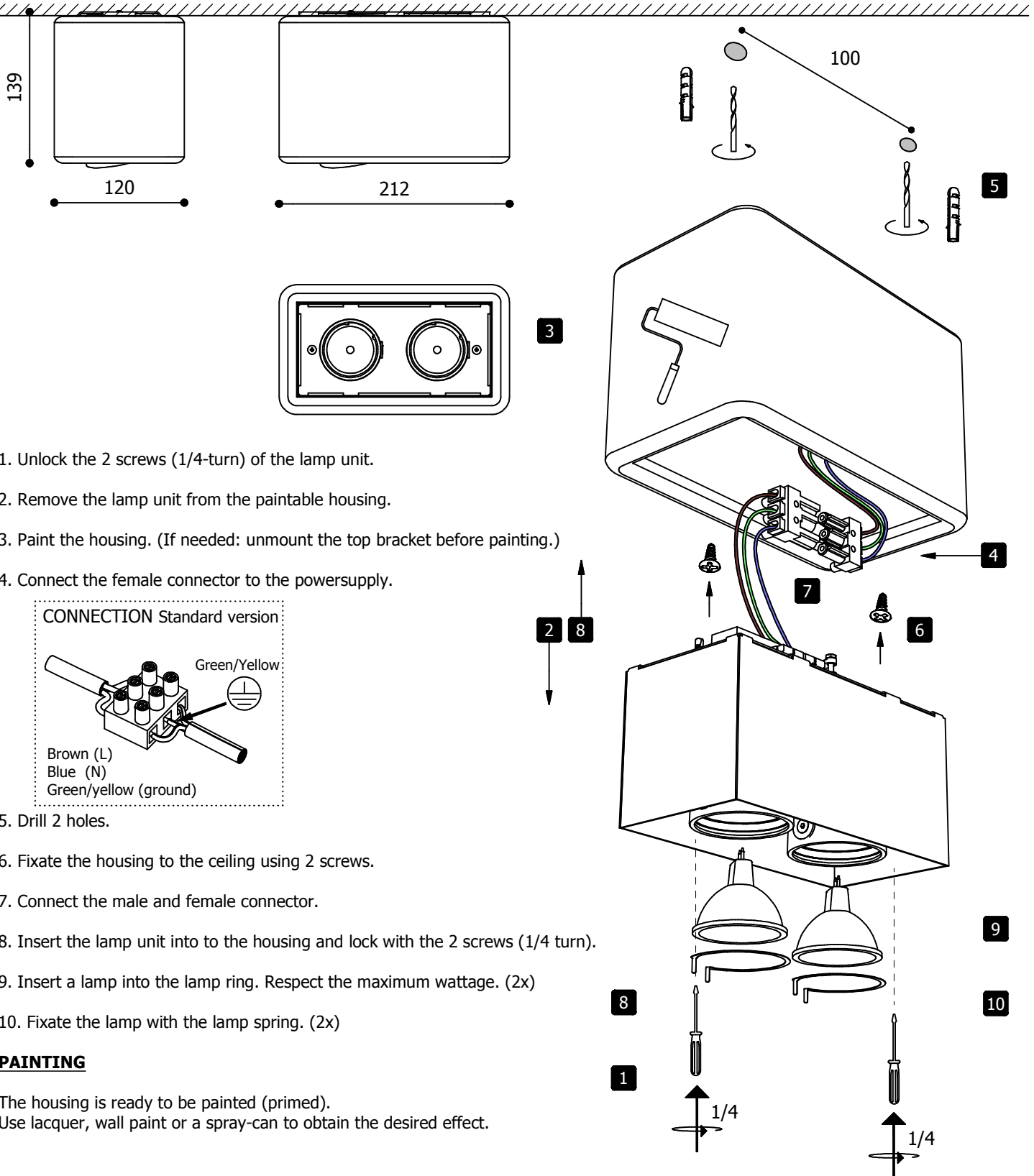
tel +32(0)50/71.81.40
fax +32(0)50/71.81.38
mail info@dark.be

2x	NO DIM	1 ... 10V	LED	600 Lm	max 7.2 Watt	2700 K 3000 K 4000 K	350 mA
----	--------	-----------	-----	--------	--------------	----------------------------	--------

DRIVER INCL EXCL DRIVER	CE	IP 40
960 °C	365°	25°
DIM		1.5kg

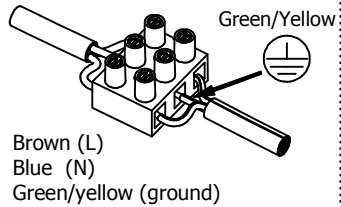
Assembly Doctor for PAINT-IT 2 QR-CB-C51/ GU-5.3 35W

Design by Nuuv for DARK



1. Unlock the 2 screws (1/4-turn) of the lamp unit.
2. Remove the lamp unit from the paintable housing.
3. Paint the housing. (If needed: unmount the top bracket before painting.)
4. Connect the female connector to the powersupply.

CONNECTION Standard version:



Brown (L)
Blue (N)
Green/yellow (ground)

5. Drill 2 holes.
6. Fixate the housing to the ceiling using 2 screws.
7. Connect the male and female connector.
8. Insert the lamp unit into to the housing and lock with the 2 screws (1/4 turn).
9. Insert a lamp into the lamp ring. Respect the maximum wattage. (2x)
10. Fixate the lamp with the lamp spring. (2x)

PAINTING

The housing is ready to be painted (primed).
Use lacquer, wall paint or a spray-can to obtain the desired effect.

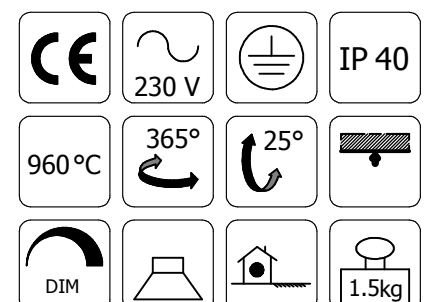
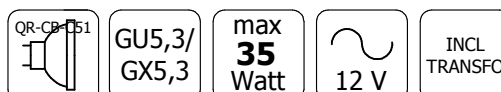
DARK <<

www.dark.be

Dark at night
Vliegplein 43 - 9991 Maldegem
Belgium - Europe

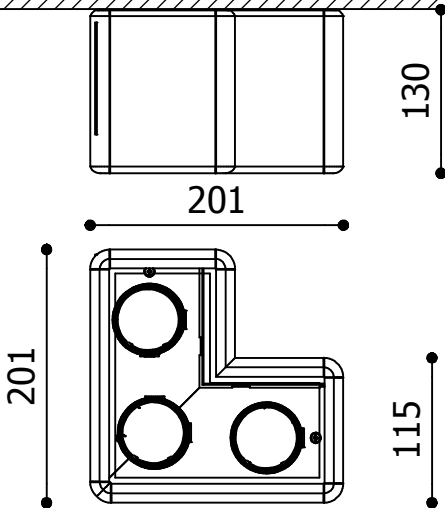
tel +32(0)50/71.81.40
fax +32(0)50/71.81.38
mail info@dark.be

2x



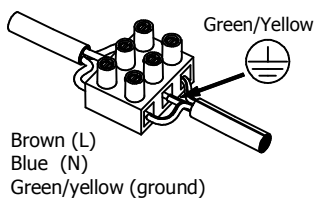
Assembly doctor for PAINT-IT 3 QPAR51/GU-10 50W

Design by Nuuv for DARK



1. Unlock the 3 screws (1/4-turn) of the lamp unit.
2. Remove the lamp unit from the paintable housing.
3. Paint the housing. (If needed: unmount the top bracket before painting.)
4. Connect the female connector to the powersupply.

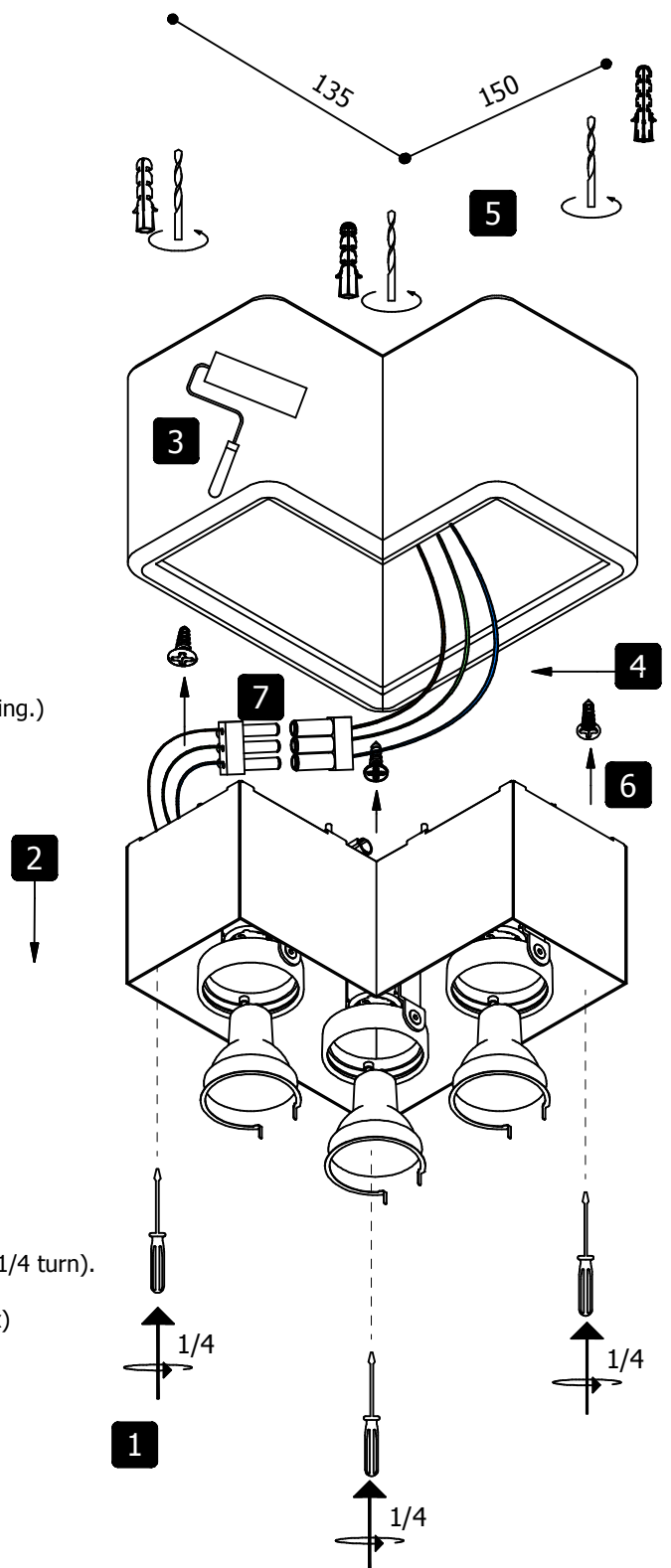
CONNECTION Standard version



5. Drill 3 holes.
6. Fixate the housing to the ceiling using 3 screws.
7. Connect the male and female connector.
8. Insert the lamp unit into to the housing and lock with the 3 screws (1/4 turn).
9. Insert a lamp into the lamp ring. Respect the maximum wattage. (3x)
10. Fixate the lamp with the lamp spring. (3x)

PAINING

The housing is ready to be painted (primed).
Use lacquer, wall paint or a spray-can to obtain the desired effect.

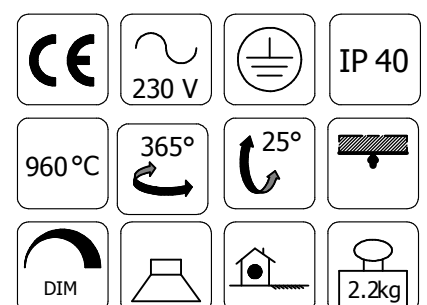
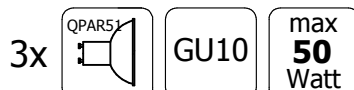


DARK <<
www.dark.be

Dark at night
Vliegplein 43 - 9991 Maldegem
Belgium - Europe

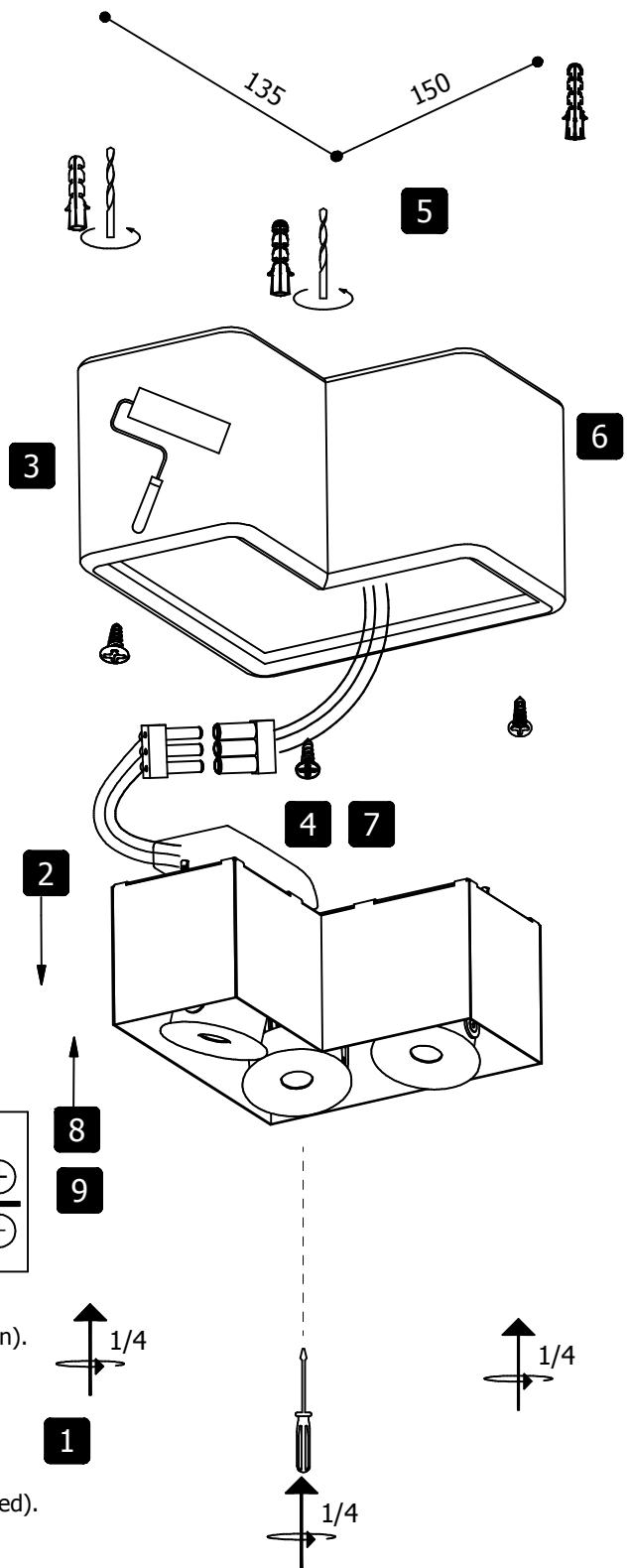
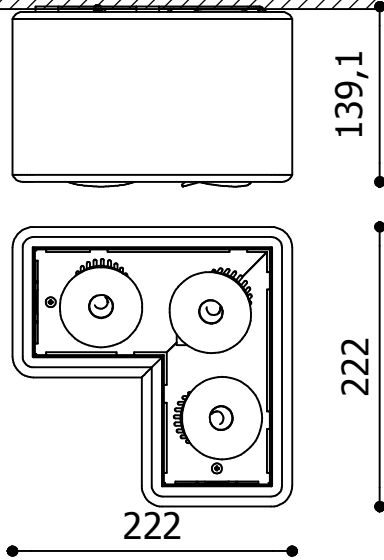
tel +32(0)50/71.81.40
fax +32(0)50/71.81.38
mail info@dark.be

Lamp possibilities :

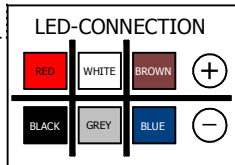
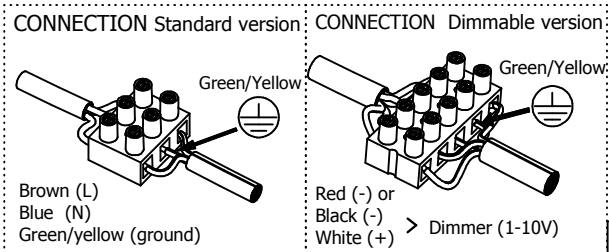


Assembly doctor for PAINT-IT 3 LED

Design by Nuuv for DARK



1. Unlock the 3 screws (1/4-turn) of the lamp unit.
2. Remove the lamp unit from the paintable housing.
3. Paint the housing. (If needed: unmount the top bracket before painting.)
4. (If needed connect the driver and the male connector to the driver)
Connect the female connector to the powersupply + the dimming cables.



5. Drill 3 holes.
6. Fixate the housing to the ceiling using 3 screws.
7. Connect the male and female connector.
8. Insert the lamp unit into to the housing and lock with the 3 screws (1/4 turn).
9. Put the power on.

PAINTING

If you ordered the paintable version: the housing is ready to be painted (primed). Use lacquer, wall paint or a spray-can to obtain the desired effect.



Dark at night
Vliegplein 43 - 9991 Maldegem
Belgium - Europe

tel +32(0)50/71.81.40
fax +32(0)50/71.81.38
mail info@dark.be

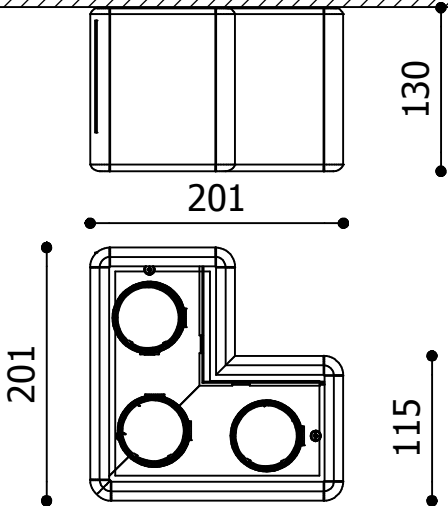
Lamp possibilities :

LED	600 Lm	max 7.2 Watt	350 mA
		2700 K	3000 K
		4000 K	

CE	DRIVER INCL EXCL DRIVER		IP 40
960°C	365°	25°	
			2.2kg

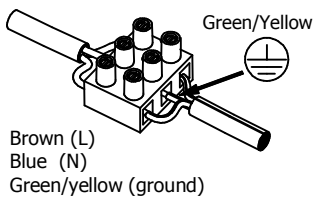
Assembly doctor for PAINT-IT 3 QR-CB-C51/ GU-5.3 35W

Design by Nuuv for DARK



1. Unlock the 3 screws (1/4-turn) of the lamp unit.
2. Remove the lamp unit from the paintable housing.
3. Paint the housing. (If needed: unmount the top bracket before painting.)
4. Connect the female connector to the powersupply.

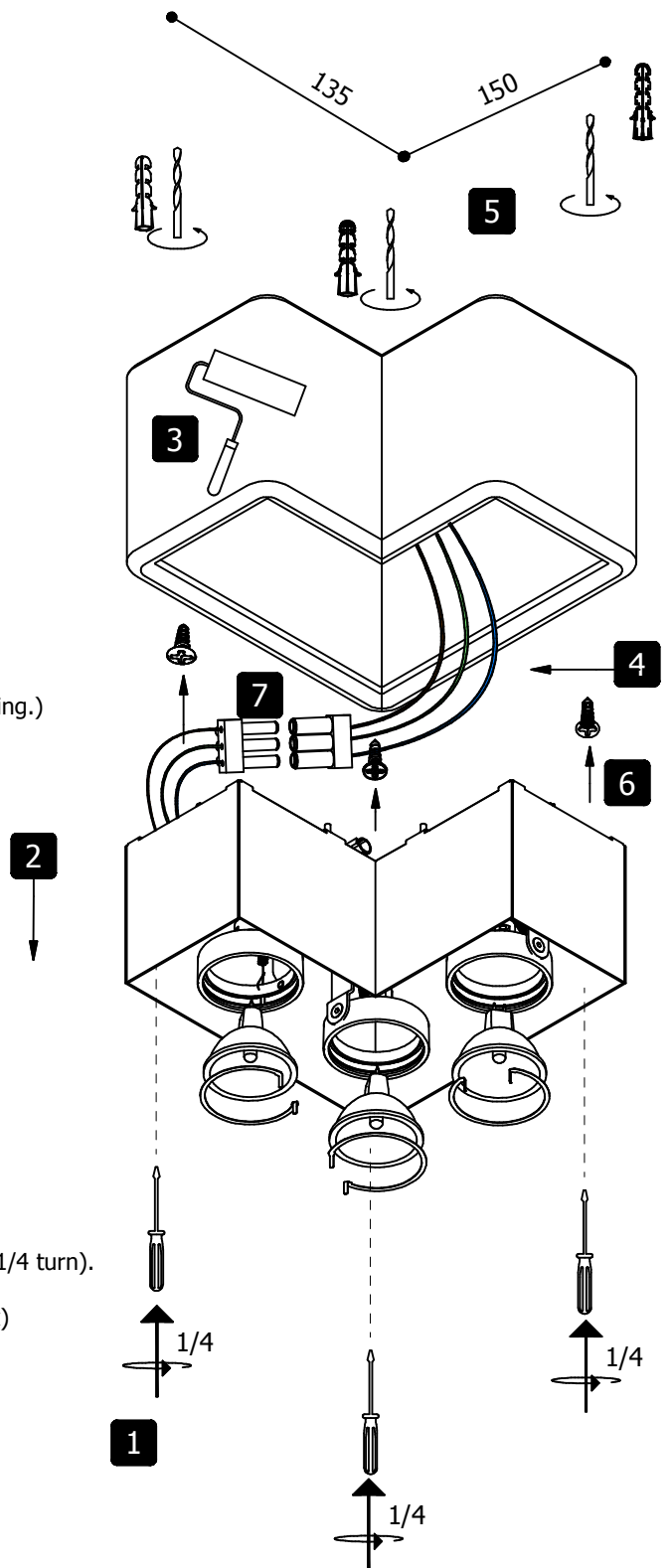
CONNECTION Standard version



5. Drill 3 holes.
6. Fixate the housing to the ceiling using 3 screws.
7. Connect the male and female connector.
8. Insert the lamp unit into to the housing and lock with the 3 screws (1/4 turn).
9. Insert a lamp into the lamp ring. Respect the maximum wattage. (3x)
10. Fixate the lamp with the lamp spring. (3x)

PAINTING

The housing is ready to be painted (primed).
Use lacquer, wall paint or a spray-can to obtain the desired effect.



Dark at night
Vliegplein 43 - 9991 Maldegem
Belgium - Europe

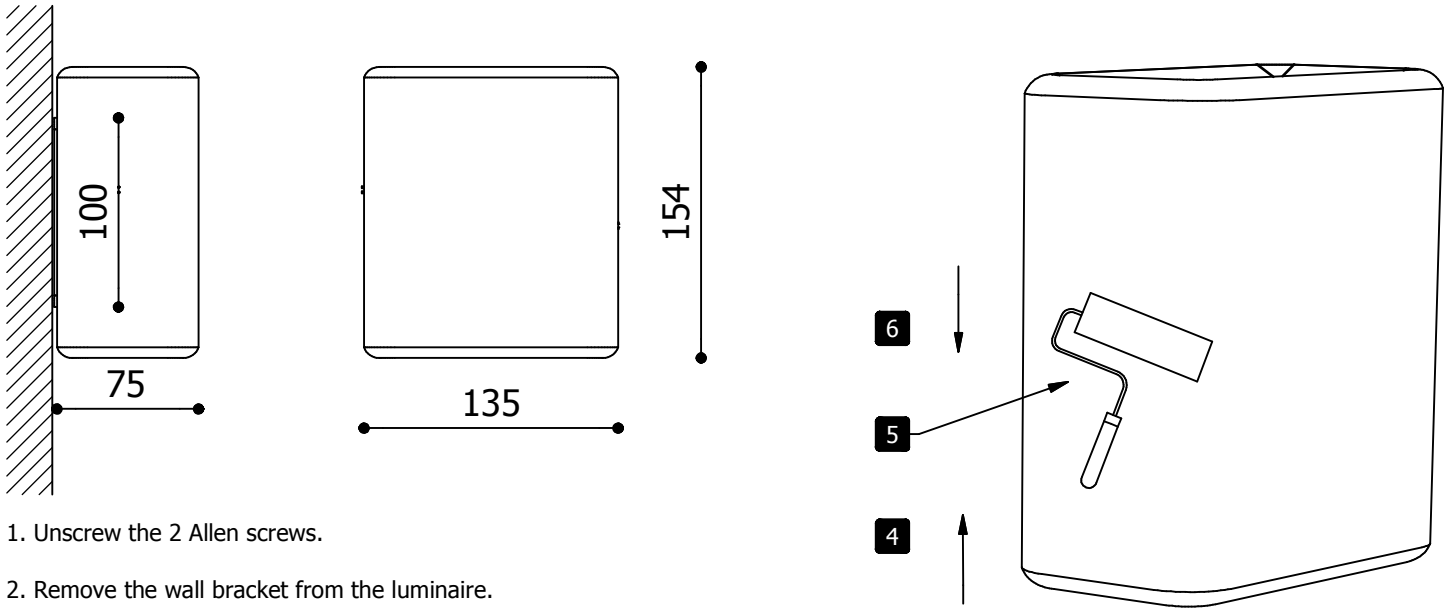
tel +32(0)50/71.81.40
fax +32(0)50/71.81.38
mail info@dark.be

Lamp possibilities :

3x

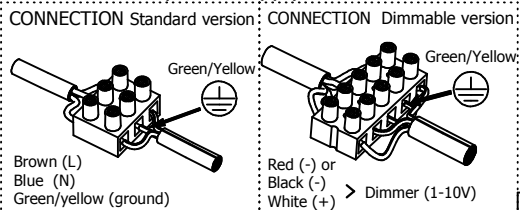
Assembly Doctor for PAINT-IT WALL

Design by Nuuv for DARK

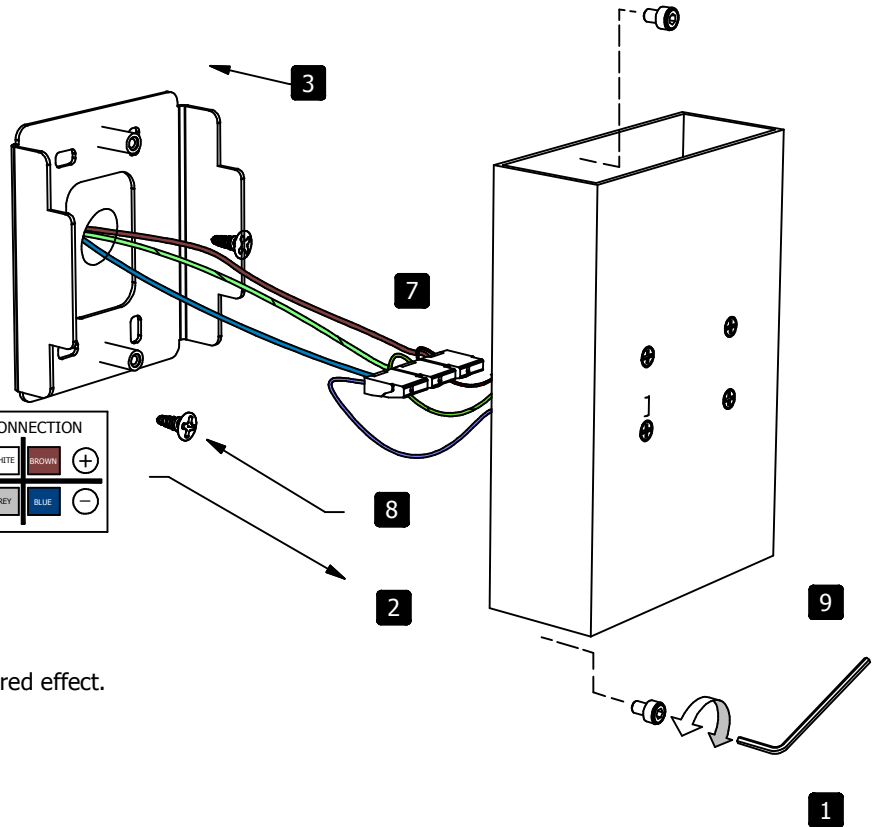
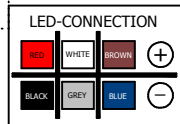


1. Unscrew the 2 Allen screws.
2. Remove the wall bracket from the luminaire.
3. Attach the wall bracket to the wall using 2 screws.
4. Slide the LED unit out of the paintable housing.
5. Paint the housing.
6. Slide the LED unit back into the paintable housing.

7. Connect the power supply.



8. Place the luminaire on the wall bracket.
9. Fixate the luminaire with the 2 Allen screws.



PAINTING

The housing is ready to be painted (primed).
 Use lacquer, wall paint or a spray-can to obtain the desired effect.

IMPORTANT NOTICE

- To avoid permanent damage to the LED:
- The power supply must be switched off during installation.
 - Do not touch the LED.



Dark at night
 Vliegplein 43 - 9991 Maldegem
 Belgium - Europe

tel +32(0)50/71.81.40
 fax +32(0)50/71.81.38
 mail info@dark.be

Dimming possibilities :

INCL DRIVER	NO DIM
EXCL DRIVER	DRIVER EXTERN
1 ... 10V	DALI
2x LED	>85 CRI
450 Lm	6 Watt
700 mA	

3000 K 4000 K	230 V
0,75kg	CE
IP 20	
960°C	NO UV/IR