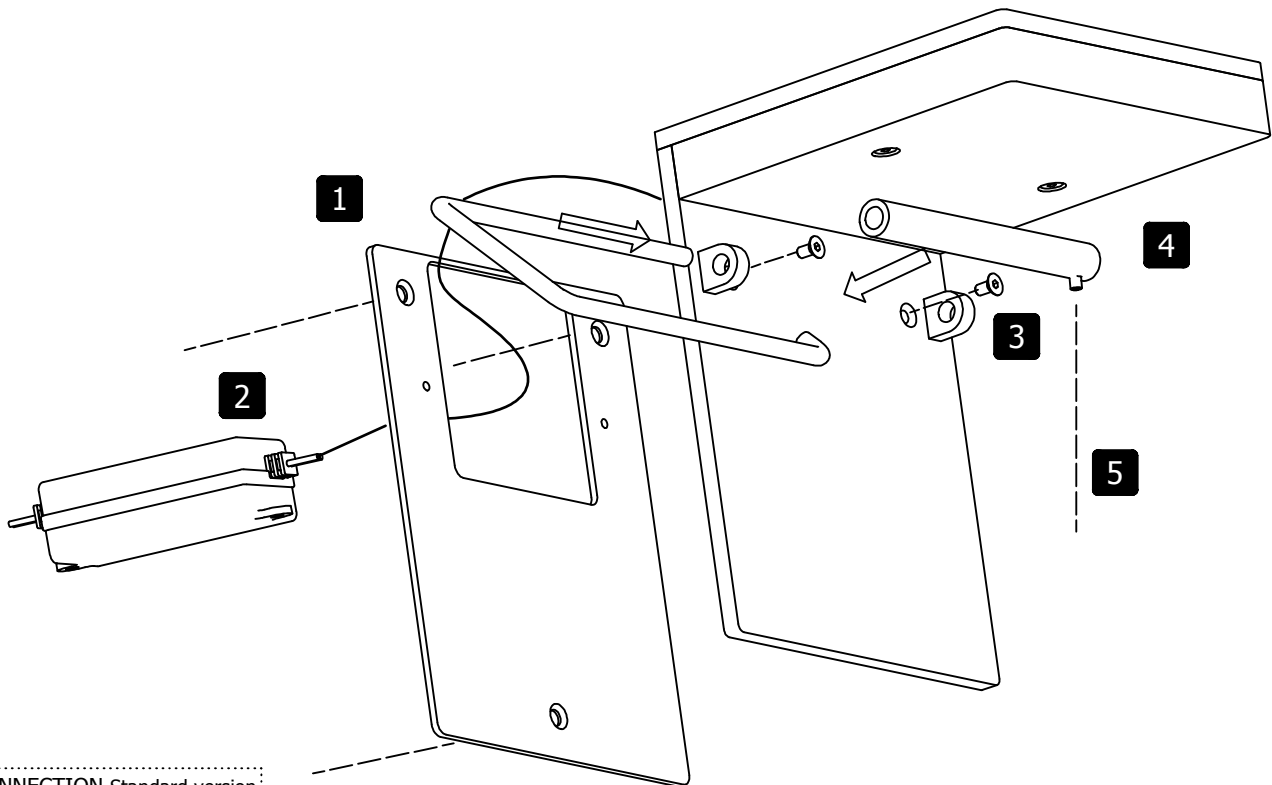
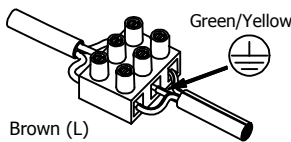


# Assembly Doctor for L-HOP 1

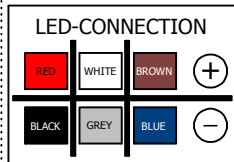
Design by Danny Venlet for DARK



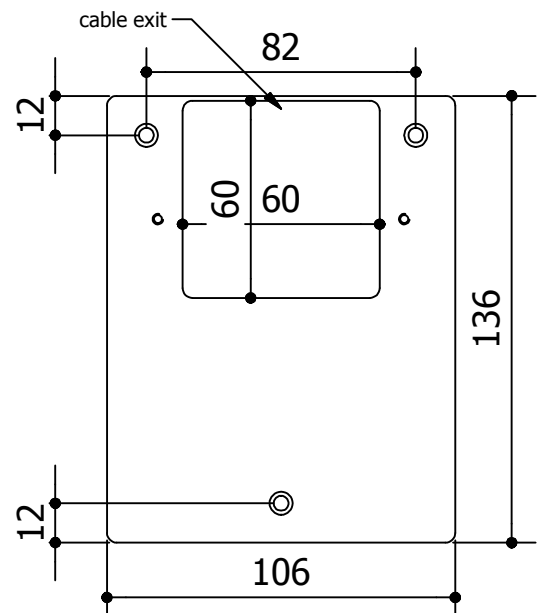
## CONNECTION Standard version



Brown (L)  
Blue (N)  
Green/yellow (ground)



1. Cut out a hole for the driver if needed. □ 60 mm (or Ø68 hole) and drill holes for the plugs.
2. Mount the wall bracket with 3 countersunk screws onto the wall.
3. Connect the LED power supply 24V. Take note of polarity.
4. Place the fixture with 2 screws.
5. Put the chrome tube between the 2 metal taps.
6. Insert the toilet paper holder through the metal taps and tube. Fixate with the DIN913 screw.
7. Connect the power and do your thing.



Dark at night  
Vliegplein 43 - 9991 Maldegem  
Belgium - Europe

tel +32(0)50/71.81.40  
fax +32(0)50/71.81.38  
mail info@dark.be

