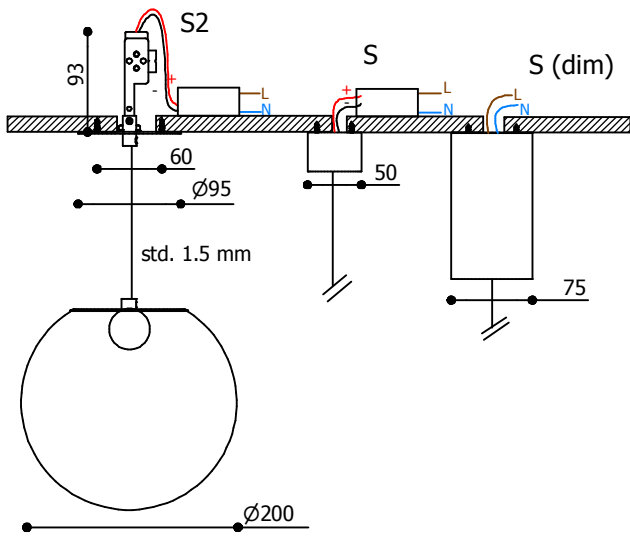


Assembly doctor for BANGSTER S2 + S + S(dim)

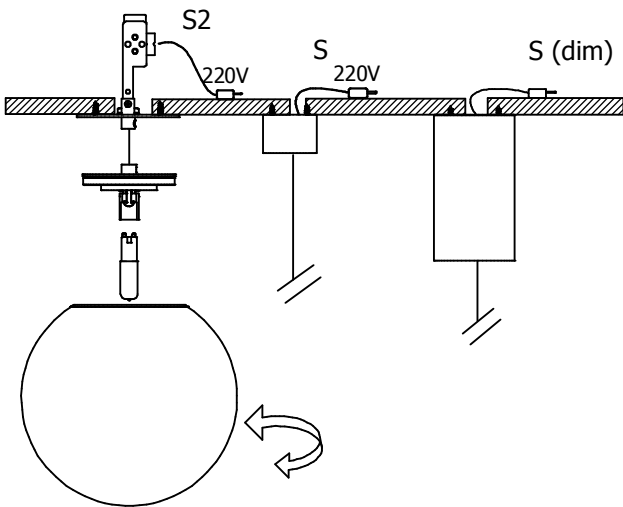
Design by Dark at night

Same for model HOODY & DISK

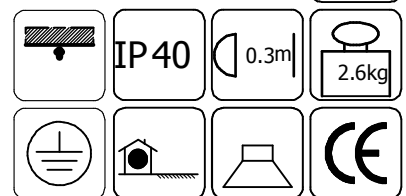
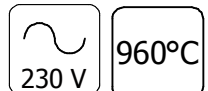
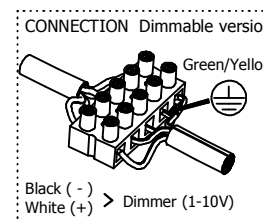
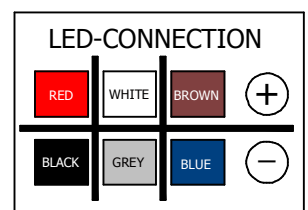
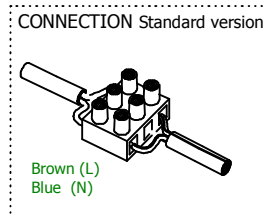
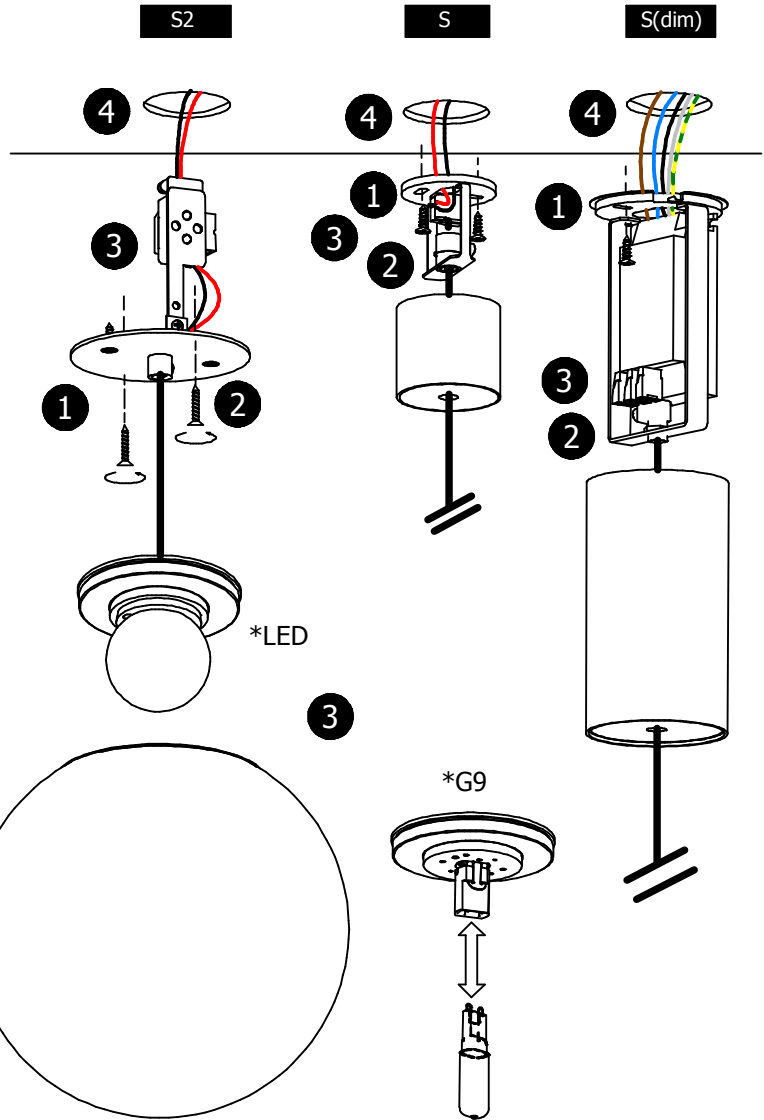
BANGSTER (LED)



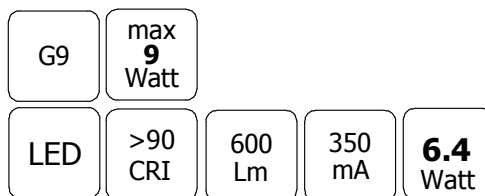
BANGSTER (G9)



1. Mount the ceiling bracket with 2 screws onto the ceiling.
2. Adjust the fixture to the preferred height and fasten the strain relief.
3. CC LED: connect the LED-unit to the power supply.
3 G9: Remove the glass sphere (turning counterclockwise) place the lamp, close the glass sphere.
4. Connect the power and close the ceiling base.
5. Put on the power.



IMPORTANT NOTICE
Never connect the fixture on 220-240V ac without driver.
Lighting fixture is constant current driven.
Always connect constant current leds in serial connection.



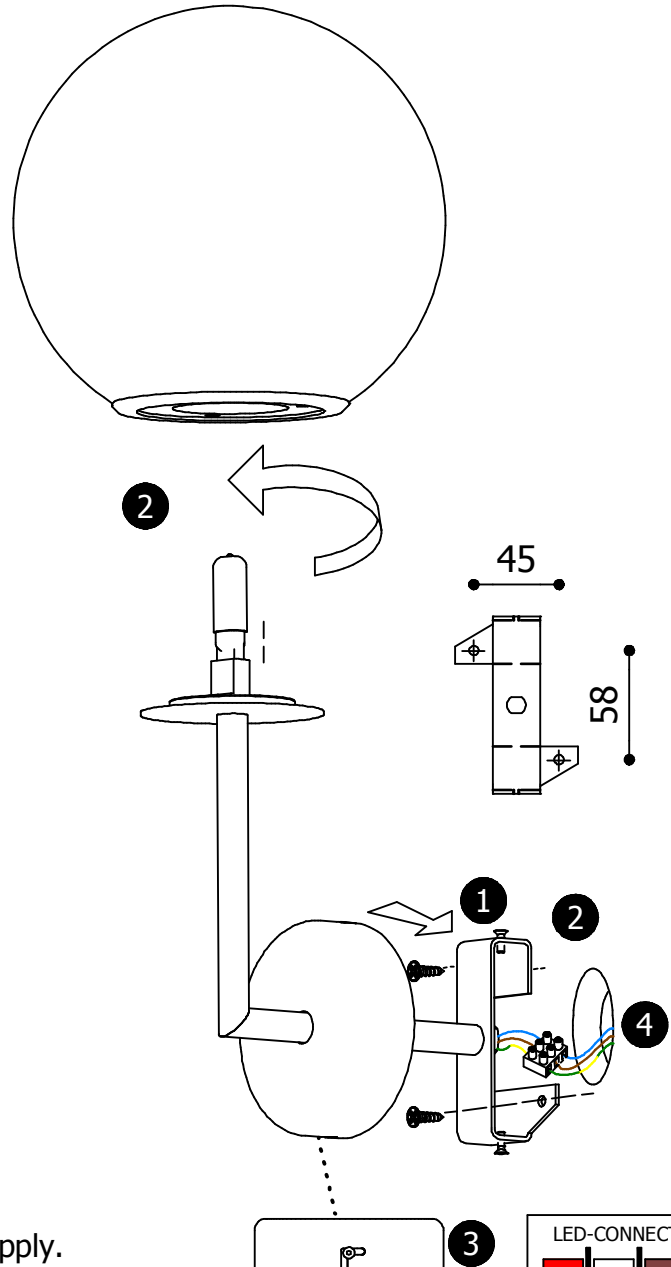
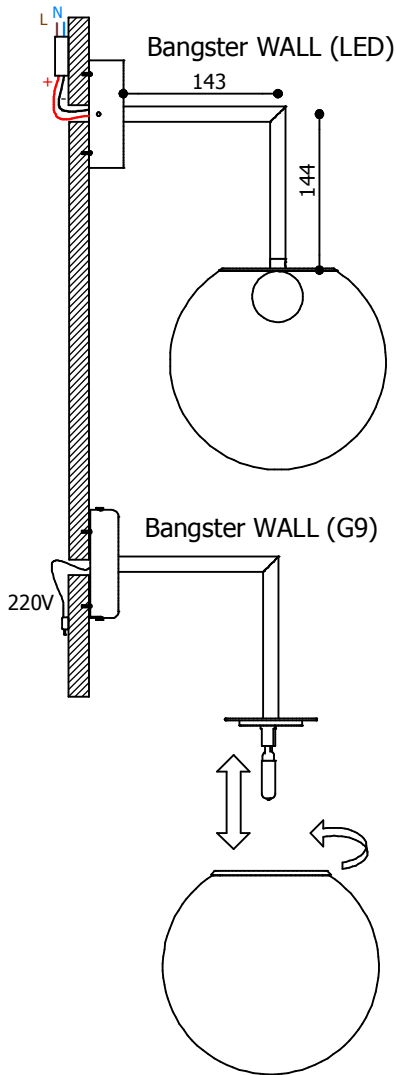
Dark at night
Vliegplein 43 - 9991 Maldegem
Belgium - Europe

tel +32(0)50/71.81.40
fax +32(0)50/71.81.38
mail info@dark.be

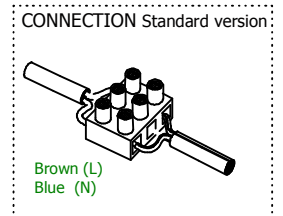
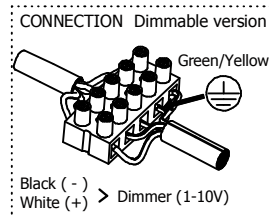
Assembly doctor for BANGSTER WALL

Design by Dark at night

Same for model HOODY & DISK



1. Mount the bracket to the wall with 2 screws.
2. CC LED: connect the LED-unit to the power supply.
2. G9: Remove the glass sphere (turning counterclockwise) (re)place the lamp, close the glass sphere and connect to the power supply.
3. Mount the cover of the wall base with 2 screws onto the bracket.
4. Put on the power.




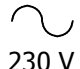




LED-CONNECTION			
RED	WHITE	BROWN	+
BLACK	GREY	BLUE	-

IMPORTANT NOTICE

Never connect the fixture on 220-240V ac without driver.
Lighting fixture is constant current driven.
Always connect constant current leds in serial connection.

Lamp possibilities:

LED	>90 CRI	600 Lm	350 mA	6.4 Watt
G9		max 9 Watt		

	230 V	960°C
	IP40	0.3m
		

DARK
www.dark.be

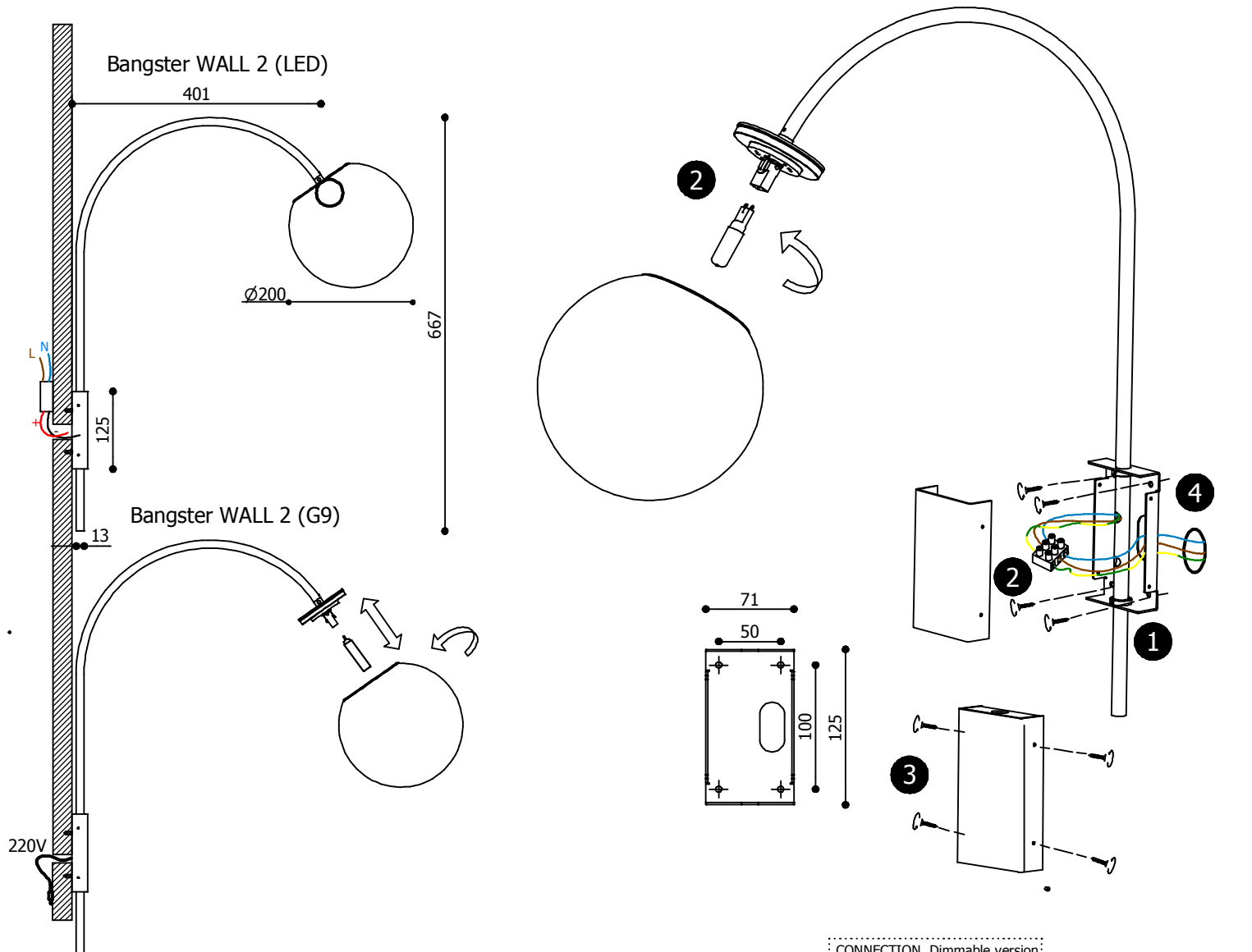
Dark at night
Vliegplein 43 - 9991 Maldegem
Belgium - Europe

tel +32(0)50/71.81.40
fax +32(0)50/71.81.38
mail info@dark.be

Assembly doctor for BANGSTER WALL 2

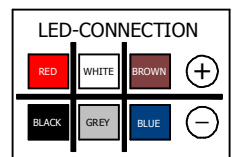
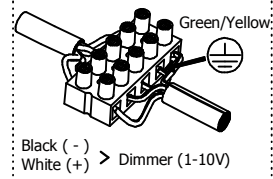
Design by Dark at night

Same for model HOODY & DISK

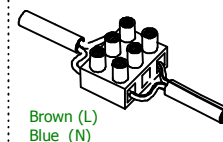


1. Mount the bracket to the wall with 4 screws.
2. CC LED: connect the LED-unit to the power supply.
2. G9: Remove the glass sphere (turning counterclockwise) (re)place the lamp, close the glass sphere and connect to the power supply.
3. Mount the cover of the wall base with 4 screws onto the bracket.
4. Put on the power.

CONNECTION Dimmable version:



CONNECTION Standard version:



IMPORTANT NOTICE

Never connect the fixture on 220-240V ac without driver.
Lighting fixture is constant current driven.
Always connect constant current leds in serial connection.

Lamp possibilities:

G9	max 9 Watt			
LED	>90 CRI	600 Lm	350 mA	6.4 Watt

DARK
www.dark.be

Dark at night
Vliegplein 43 - 9991 Maldegem
Belgium - Europe

tel +32(0)50/71.81.40
fax +32(0)50/71.81.38
mail info@dark.be

230 V 960°C

