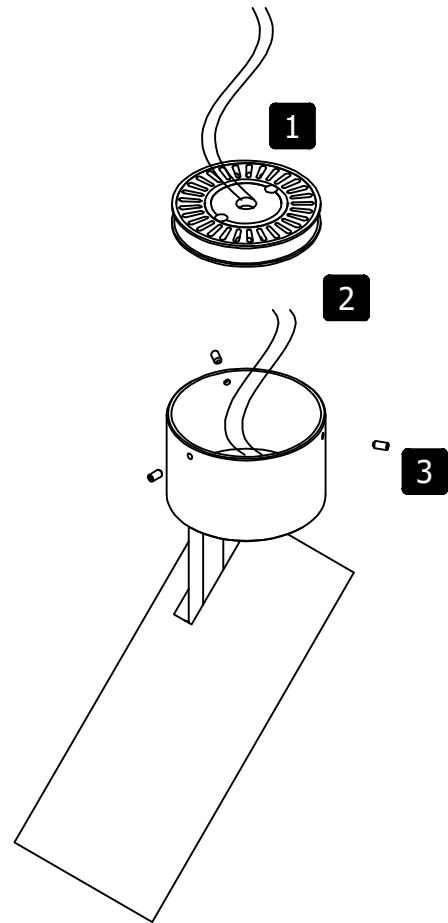
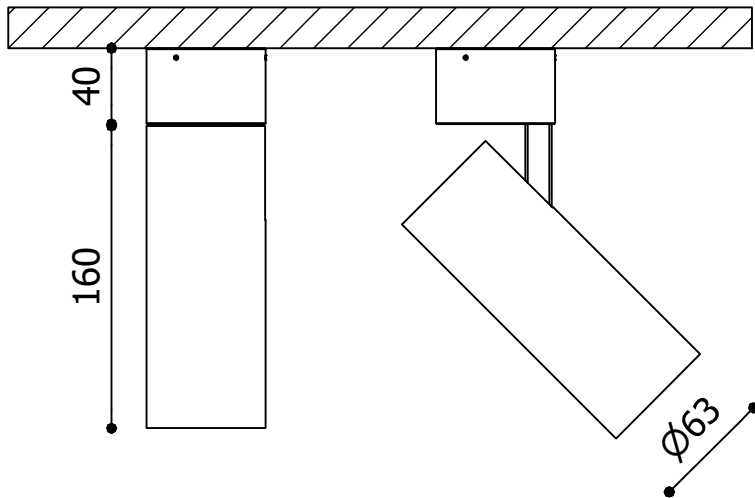
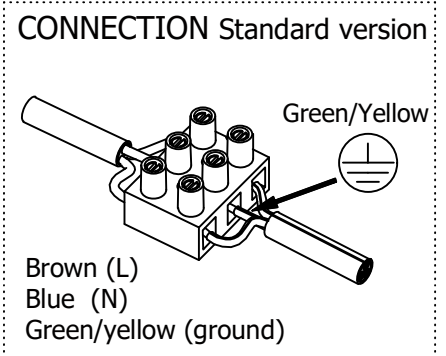


Assembly doctor for TUKI 60 MOVE

Design by Dark Studio for DARK



2



1. Mount the ceiling bracket with 2 screws onto the ceiling.
2. Connect to power supply.
3. Close ceiling base with 3 screws



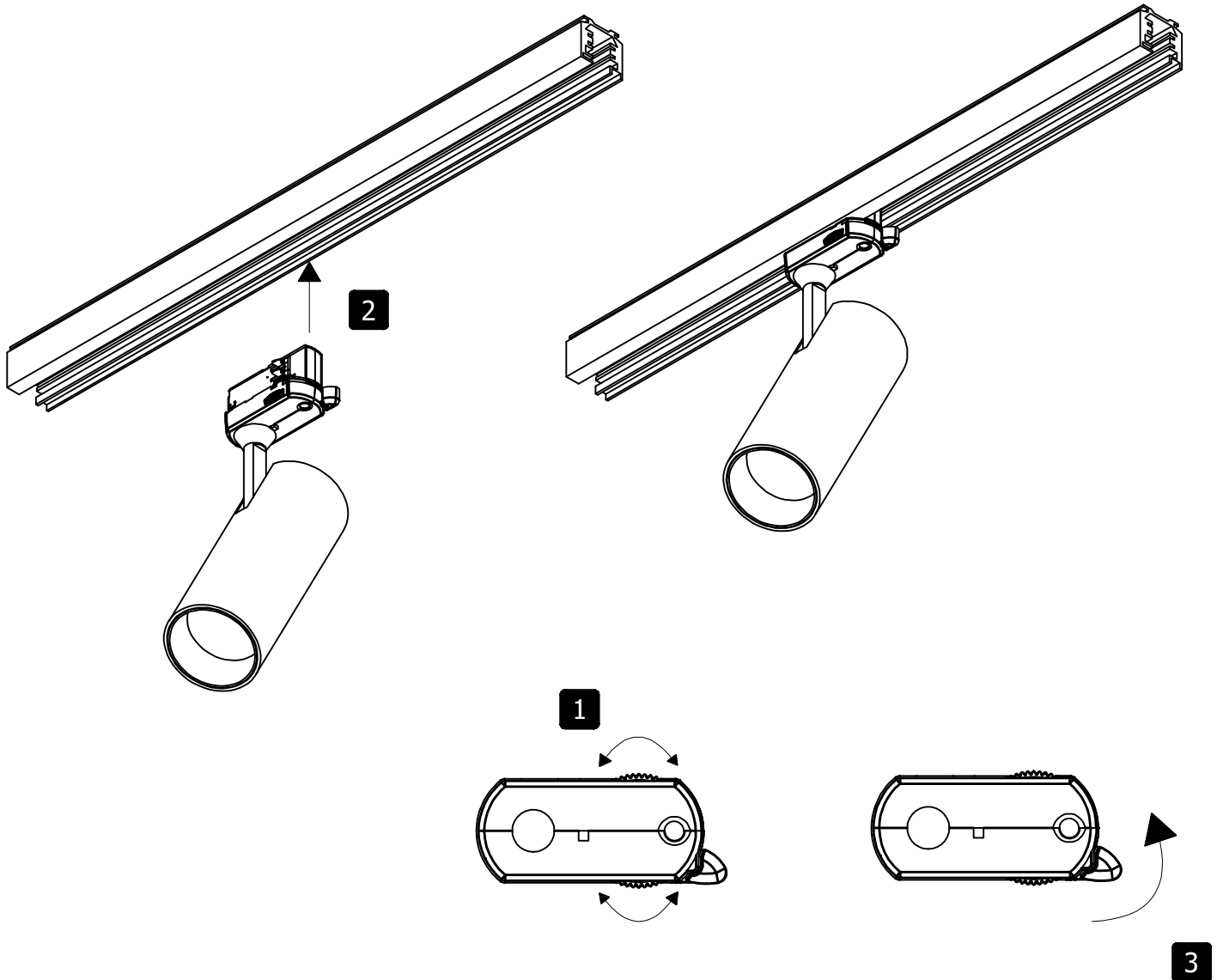
Dark at night
Vliegplein 43 - 9991 Maldegem
Belgium - Europe

tel +32(0)50/71.81.40
fax +32(0)50/71.81.38
mail info@dark.be

| | | | | | | | | | | | | | | | |
|-----|------------|-----------|-----------|------------|-----|------------------|-------------------|-------|------|-------|-------------|-----|------|-------|----|
| LED | >90 CRI | 350 mA | 895 Lm | 15 Watt | DIM | 2700 K 3000 K | 11° 20° 34° | IP 20 | 0.3m | 0.4kg | INCL DRIVER | 80° | 355° | 960°C | CE |
|-----|------------|-----------|-----------|------------|-----|------------------|-------------------|-------|------|-------|-------------|-----|------|-------|----|

Assembly doctor for TUKI 60 TRACK

Design by Dark Studio for DAKR



1. Turn the circuit wheel to the desired circuit. (1, 2 or 3)
2. Plug the jack in the 3~rail.
3. Turn the mechanical contact lever to fixate the fixture.
4. Check with the light-switch on to verify.



Dark at night
Vliegplein 43 - 9991 Maldegem
Belgium - Europe

tel +32(0)50/71.81.40
fax +32(0)50/71.81.38
mail info@dark.be

