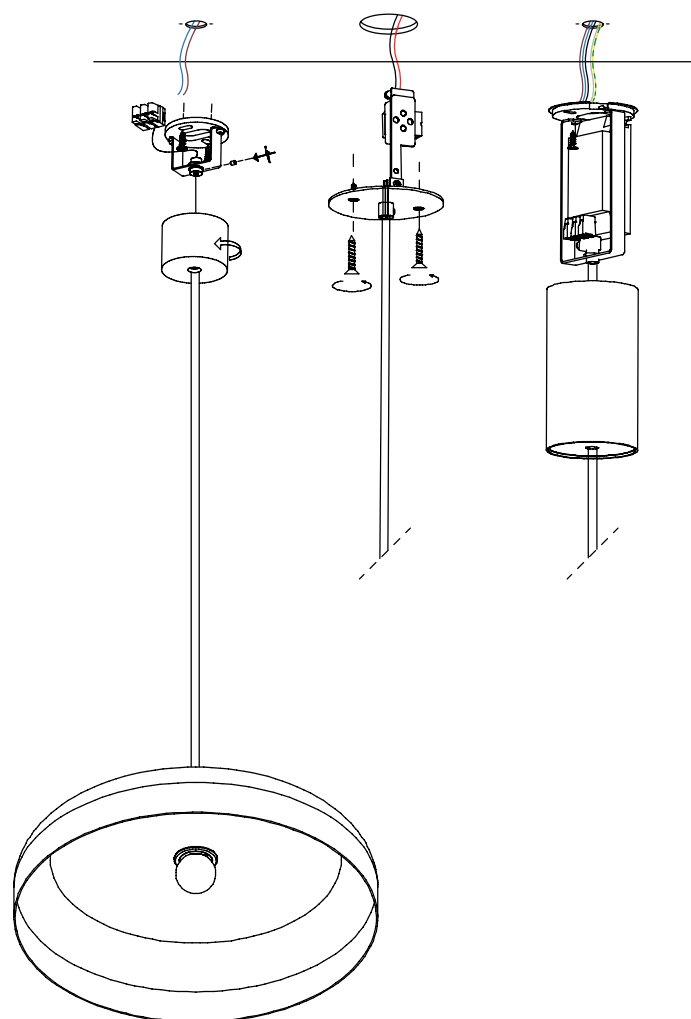
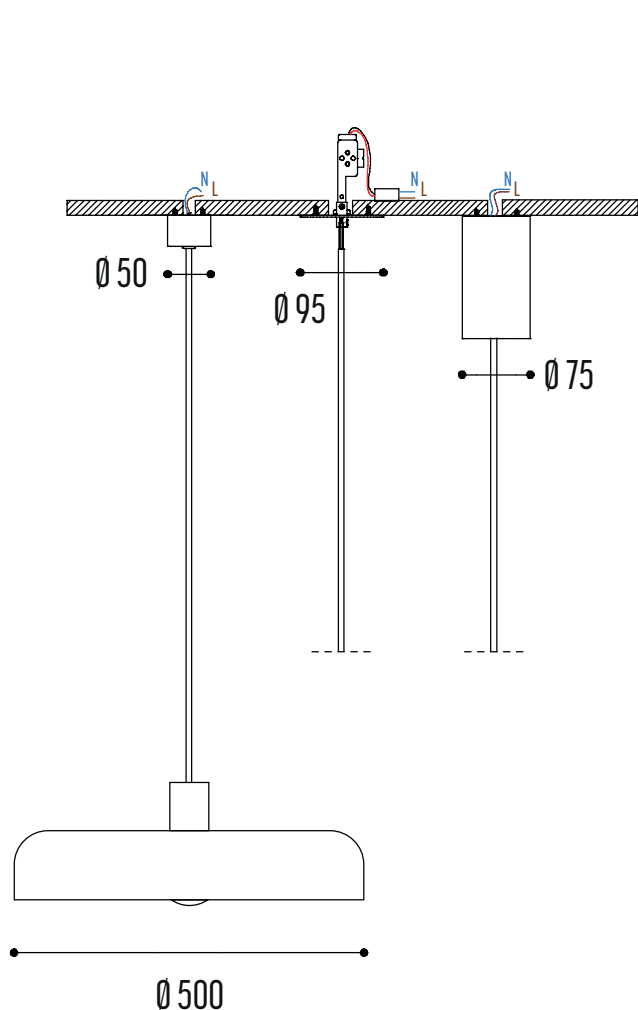


ASSEMBLY DOCTOR GAZTA

design vincent van laere for dark



- 1 Mount the ceiling bracket with 2 screws onto the ceiling
- 2 Adjust the fixture to the preferred height and fasten the strain relief.
- 3 Connect the the power supply LED-unit CC or E27.
Pay attention to the polarity.
- 4 Connect the power and close the ceiling base.
- 5 Put on the power.

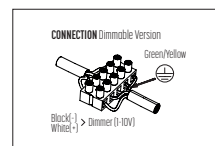
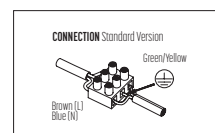
LIGHT SOURCE

Touching the LED can result in permanent damage of the light source.
The light source contained in this luminaire shall only be replaced by the manufacturer or his service agent or a similar qualified person.
Always be properly grounded when touching leads or circuitry inside the luminaire.

!!! Never connect the fixture on 220-240V ac without driver.

Lighting fixture is constant current driven.
For drivers purchase, contact your sales contact.
Always connect constant current leds in serial connection.

Check catalogue P 488-489 (Installation of LED)



@350mA - 1x600Lm = 6,4W

LED-CONNECTION



Electronical Circuit: Single

