

COOLFIN

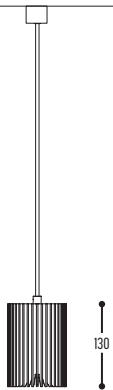
design made for dark

1/3



COOLFIN S

834-BB-065-DD-(I)
834-BB(B)-EFFGGH-DD-(I)-K



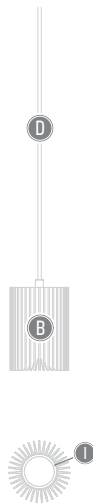
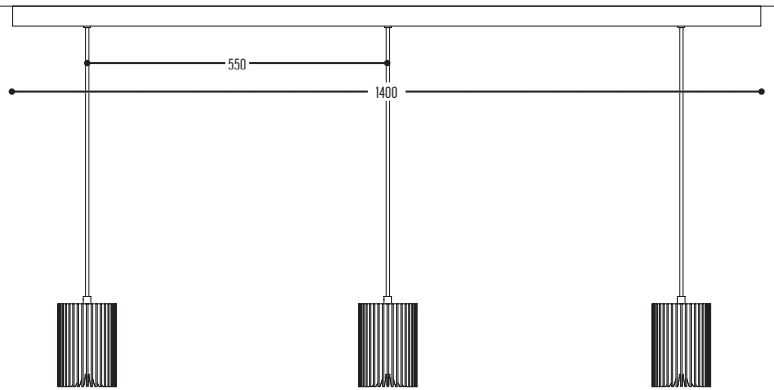
COOLFIN S2

825-BB-065-DD-(I)
825-BB(B)-EFFGGH-DD-(I)-K



COOLFIN 3P

992-BB-065-DD-(I)
992-BB(B)-EFFGGH-DD-(I)-K



BB(B)	COLORS	02		Black		
		03		White		
					RAL color on request	
CCC	TYPE		065		GU10	LED QPAR20 (MAX 50 W)
					GU10	LED (MAX 7,5 W)
EFF	CRI • LUMENOUTPUT	910	>90 CRI • 1100 Lm / 250 mA / 8,3 W			
		915	>90 CRI • 1500 Lm / 350 mA / 11,6 W			
		920	>90 CRI • 2100 Lm / 500 mA / 17 W			
GG	REFLECTOR	40	40°			
		60	60°			
H	COLOR TEMP.	2	2700K			
		3	3000K			
		4	4000K			
DD	SUSP. CABLE	01	1,5 m			
		02	2,5 m			
I	INSIDE COLOR (optional)	G		Gold		
K	DRIVER	1	No driver			
		0	Non dimmable (intern)			
		2	Dimmable 1-10 V (intern) except			
		3	Dali (intern) COOLFIN S2 (extern)			
		4	Phase cut (intern)			



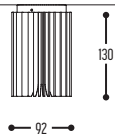
DARK®

© DARK 2021 - Dark has the right to change any technical data, dimensions, colors and characteristics without prior notice. All rights reserved. Please check always the latest technical data sheets on www.dark.be. Any reproduction of the Dark products is strictly forbidden and can seriously damage your health and endanger your bank account.

DARK at night nv
Vliegplein 43
9991 Maldegem – Belgium
+32 50 71 81 40
info@dark.be
www.dark.be

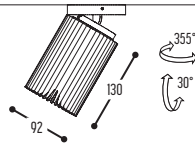
COOLFIN

830-BB-065-00-(I)
830-BB-EFFGGH-00-(I)-K



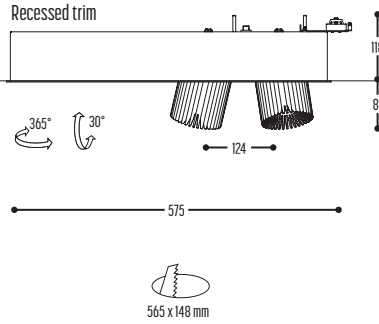
COOLFIN MOVE

829-BB-065-00-(I)
829-BB-EFFGGH-00-(I)-K



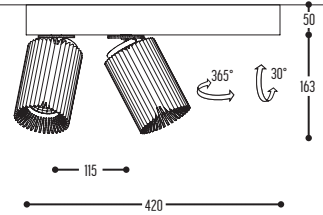
COOLFIN SET2

833-BB-065-00-(I)
833-BB-EFFGGH-00-(I)-K



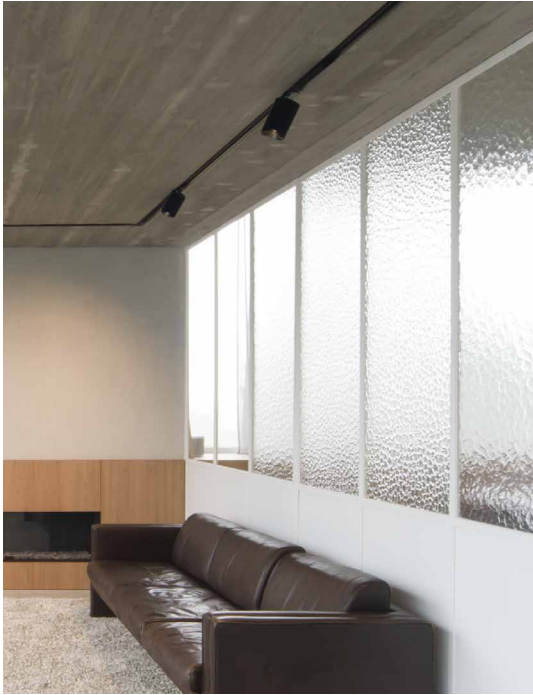
COOLFIN BOX2

826-BB-065-00-(I)
826-BB-EFFGGH-00-(I)-K

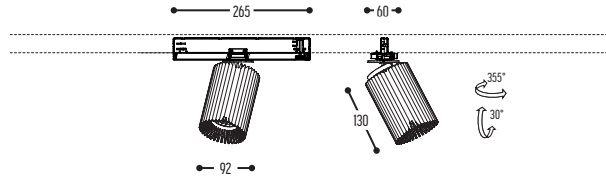


BB(B)	COLORS	02		Black	
		03		White	
CCC	TYPE	230 V	065		GU10 LED QPAR20 (MAX 50 W)
					GU10 LED (MAX 7,5 W)
EFF	CRI • LUMENOUTPUT	910	>90 CRI • 1100 Lm / 250 mA / 8,3 W		
		915	>90 CRI • 1500 Lm / 350 mA / 11,6 W		
		920	>90 CRI • 2100 Lm / 500 mA / 17 W		
GG	REFLECTOR	40	40°		
		60	60°		
H	COLOR TEMP.	2	2700K		
		3	3000K		
		4	4000K		
I	INSIDE COLOR (optional)	G		Gold	
K	DRIVER	1	No driver		
		0	Non dimmable (extern)		
		2	Dimmable 1-10 V (extern)		
		3	Dali (extern)		
		4	Phase cut (extern)		





COOLFIN TRACK
827-BB-EFFGGH-00-(I)-K



TRACK RAIL: to be ordered separately - check compatibility
Non dim. compatible with Eutrac / Global / Powergear
Dim. compatible with Global / Powergear



BB(B)	COLORS	02	Black
		03	White
EFF	CRI • LUMENOUTPUT	910	>90 CRI • 1100 Lm / 250 mA / 8,3 W
		915	>90 CRI • 1500 Lm / 350 mA / 11,6 W
		920	>90 CRI • 2100 Lm / 500 mA / 17 W
GG	REFLECTOR	40	40°
		60	60°
H	COLOR TEMP.	2	2700K
		3	3000K
		4	4000K
I	INSIDE COLOR (optional)	6	Gold
K	DRIVER	0	Non dimmable (intern)
		3	Dali (intern)

