

EDGAR

design made for dark

1/2

DESIGN PLUS
powered by light+building



EDGAR ROUND S

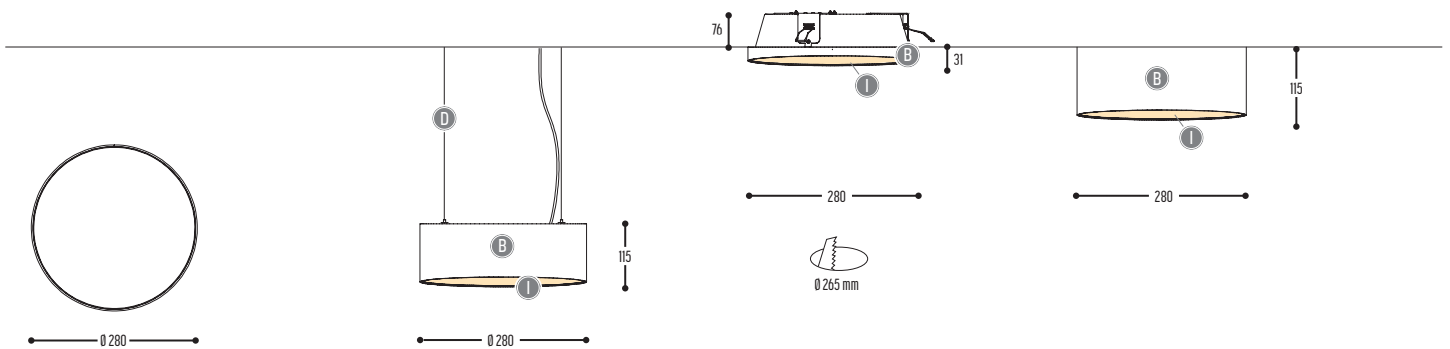
947-BB-81000H-DD-I-K

EDGAR ROUND

945-BB-81000H-00-I-K

EDGAR ROUND BOX

946-BB-81000H-00-I-K



BB	COLORS	02		Black
		03		White
		RAL color on request		
EFF	CRI • LUMENOUTPUT	809	>80 CRI • 1350 Lm / 350 mA / 11,3 W	
		809	>80 CRI • 1550 Lm / 500 mA / 13,8 W	
GG	REFLECTOR	00	N.A.	
H	COLOR TEMP.	3	3000 K	
		4	4000 K	
DD	SUSP. CABLE	00	N.A.	
		02	1,5m	
		03	2,5m	
I	INSIDE COLOR	B		Black
		W		White
		G		Gold
K	DRIVER	1	No driver	
		0	Non dimmable (intern) except for	
		2	Dimmable 1-10 V (intern) EDGAR ROUND / SQUARE	
		3	Dali (intern) (extern)	



DARK®

© DARK 2021 - Dark has the right to change any technical data, dimensions, colors and characteristics without prior notice. All rights reserved. Please check always the latest technical data sheets on www.dark.be. Any reproduction of the Dark products is strictly forbidden and can seriously damage your health and endanger your bank account.

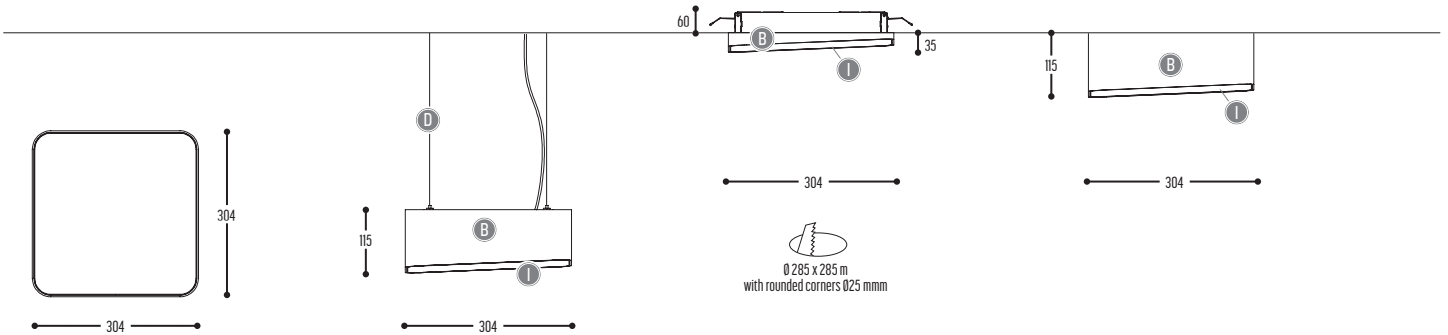
DARK at night nv
Vliegplein 43
9991 Maldegem – Belgium
+32 50 71 81 40
info@dark.be
www.dark.be



EDGAR SQUARE S
942-BB-80900H-DD-I-K

EDGAR SQUARE
940-BB-80900H-00-I-K

EDGAR SQUARE BOX
941-BB-80900H-00-I-K



BB	COLORS	02	Black
		03	White
		RAL color on request	
EFF	CRI • LUMENOUTPUT	809	>80 CRI • 1350 Lm / 350 mA / 11,3 W
		809	>80 CRI • 1550 Lm / 500 mA / 13,8 W
GG	REFLECTOR	00	N.A.
H	COLOR TEMP.	3	3000 K
		4	4000 K
DD	SUSP. CABLE	00	N.A.
		02	1,5m
		03	2,5m
I	INSIDE COLOR	B	Black
		W	White
		G	Gold
K	DRIVER	1	No driver
		0	Non dimmable (intern) except for
		2	Dimmable 1-10 V (intern) EDGAR ROUND / SQUARE
		3	Dali (intern) (extern)

