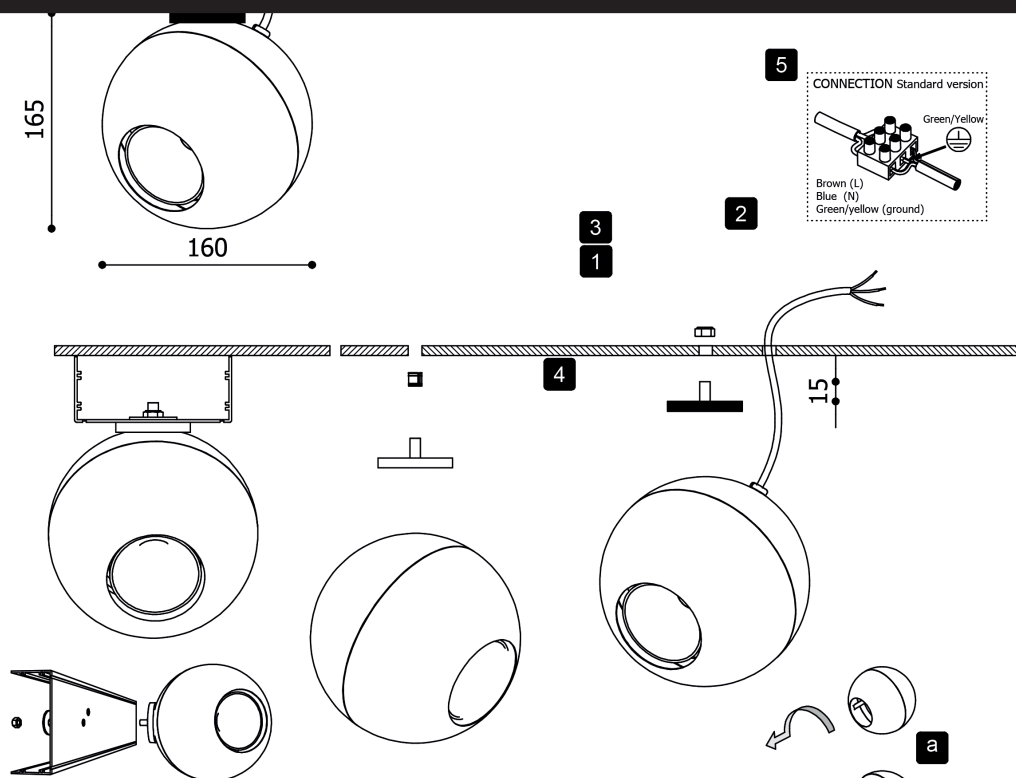


# ASSEMBLY DOCTOR 12-25 BASIC

design co twee for dark



- 1 Drill a hole through the ceiling or wall (min  $\varnothing$  8.5).
- 2 Drill a hole for the cable of the power supply.
- 3 Fixate the magnet using the locknut (M8\*1,25).
- 4 Mount the sphere onto the magnet.
- 5 Connect the powersupply corresponding to the installation legislation.
- 6 Lamp (re)placement:
  - a. Remove the front half of the sphere.
  - b. Turn the lamp into the lampholder. Respect the wattage of the fixture.
  - c. Remount the front half of the sphere.

## LIGHT SOURCE

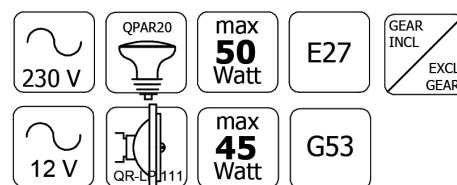
Touching the LED can result in permanent damage of the light source.  
The light source contained in this luminaire shall only be replaced by the manufacturer or his service agent or a similar qualified person.  
Always be properly grounded when touching leads or circuitry inside the luminaire.

### !!! Never connect the fixture on 220-240V ac without driver.

Lighting fixture is constant current driven.  
For drivers purchase, contact your sales contact.  
Always connect constant current leds in serial connection.

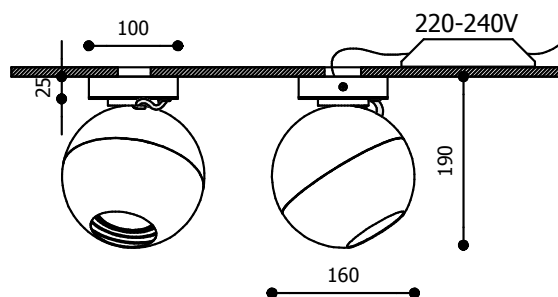
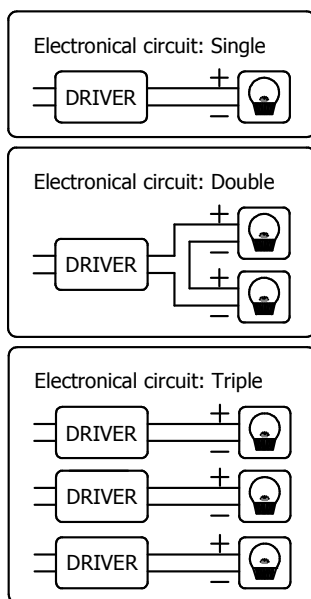
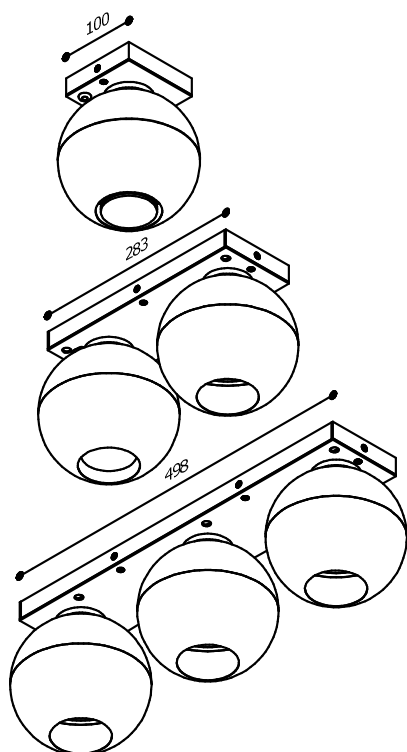
Check catalogue P 488-489 (Installation of LED)

### Lamp possibilities :



# ASSEMBLY DOCTOR 12-25 BOX 1, BOX 2, BOX 3 LED

design co twee for dark



- 1 Bore the required hole (pattern).
- 2 Connect the power supply and put it on the ceiling.
- 3 Mount the ceiling bracket with 2 screws onto the ceiling.
- 4 Plug in the LED-unit in the connector, which is connected to the power supply. (see color code)

**IMPORTANT:** Connect the individual lamps to the driver(s) according to the electronical circuit diagram.

- 5 Mount the fixture on the bracket with two, four or six hexagonal screws.

## IMPORTANT NOTICE

In all cases use handgloves to mount the fixture.

Ensure the power cable is not connected to the power supply!

Ensure the driver has not been powered for at least 1 minute before connecting to the LED-unit.

Connect the LED side first, secondly the side of the mains.

- 6 Put on the power.

Placing the powersupply on an electrical panel at distance:

cable = 1.25 mm<sup>2</sup>

max. distance = 15m for 700mA / 20m for 500mA

## LIGHT SOURCE

Touching the LED can result in permanent damage of the light source.

The light source contained in this luminaire shall only be replaced by the manufacturer or his service agent or a similar qualified person.

Always be properly grounded when touching leads or circuitry inside the luminaire.

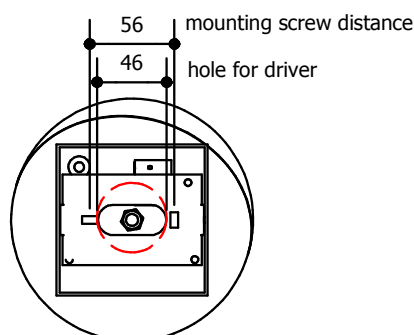
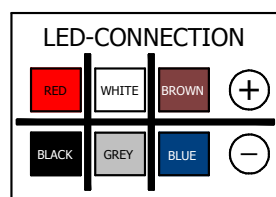
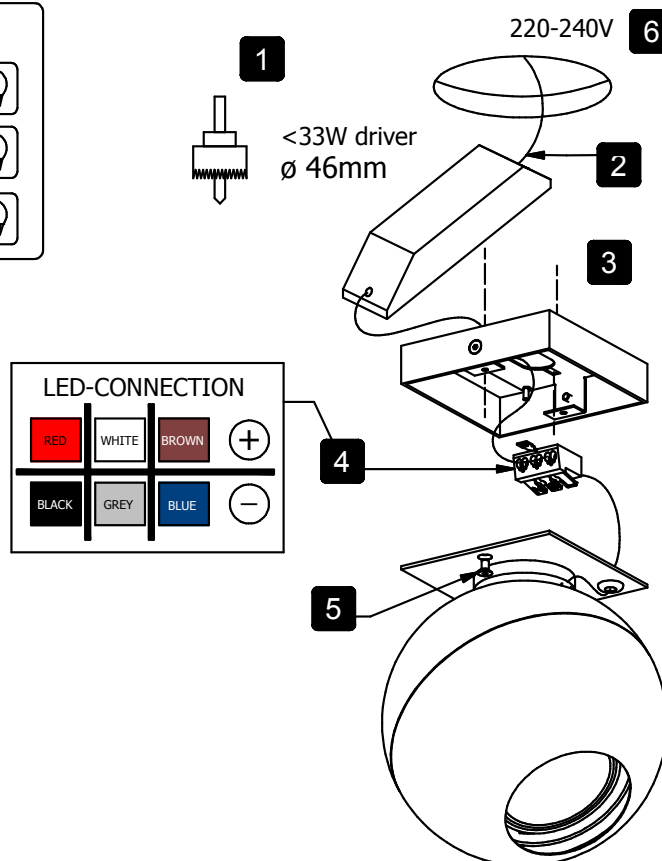
**!!! Never connect the fixture on 220-240V ac without driver.**

Lighting fixture is constant current driven.

For drivers purchase, contact your sales contact.

Always connect constant current leds in serial connection.

Check catalogue P 488-489 (Installation of LED)



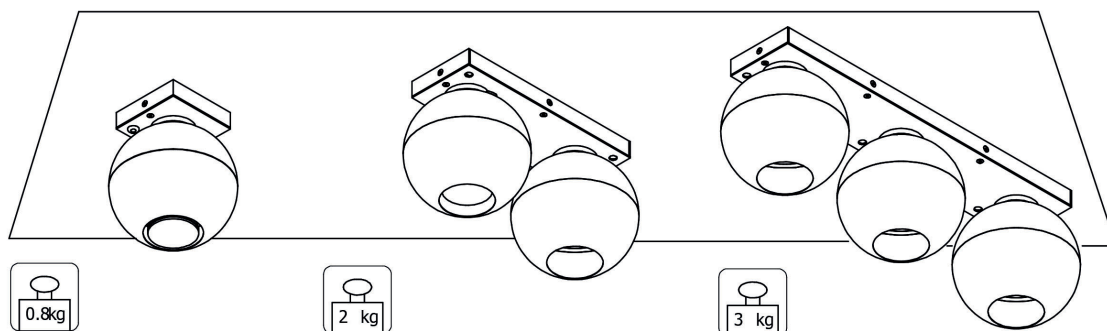
Lamp possibilities :

LED	>80 CRI	700 mA	1300 Lm	11.7 Watt	DALI	1 ... 10V
LED	>95 CRI	500 mA	1000 Lm	10.9 Watt	DALI	1 ... 10V

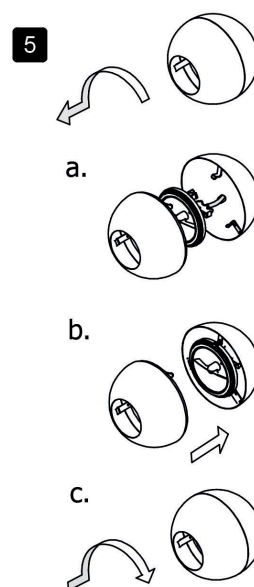
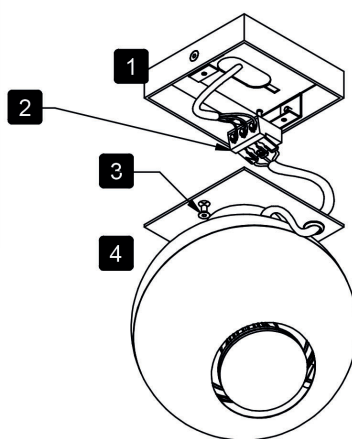
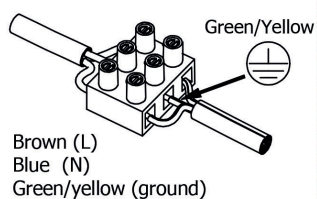


# ASSEMBLY DOCTOR 12-25 BOX 1, BOX 2, BOX 3

design co twee for dark



## CONNECTION Standard version



- 1 Mount the bracket with two or four screws to the ceiling.
- 2 Connect the power supply.
- 3 Mount the fixture on the bracket with the two, four or six hexagonal screws.
- 4 Plug in the LED-unit in the connector, which is connected to the power supply. (see color code)
- 5 Lamp (re)placement
  - a. Remove the frontpart of the sphere.
  - b. Turn the lamp into the lampholder.  
Respect the wattage of the fixture
  - c. Remount the front half of the sphere.

### Lamp possibilities :

12-25 BOX 1 - 12-25 BOX 2 - 12-25 BOX 3

12 V	QR-L1111	45 Watt	G53	INCL / EXCL GEAR
230 V	QPAR20	50 Watt	E27	

## LIGHT SOURCE

Touching the LED can result in permanent damage of the light source.  
The light source contained in this luminaire shall only be replaced by the manufacturer or his service agent or a similar qualified person.  
Always be properly grounded when touching leads or circuitry inside the luminaire.

### !!! Never connect the fixture on 220-240V ac without driver.

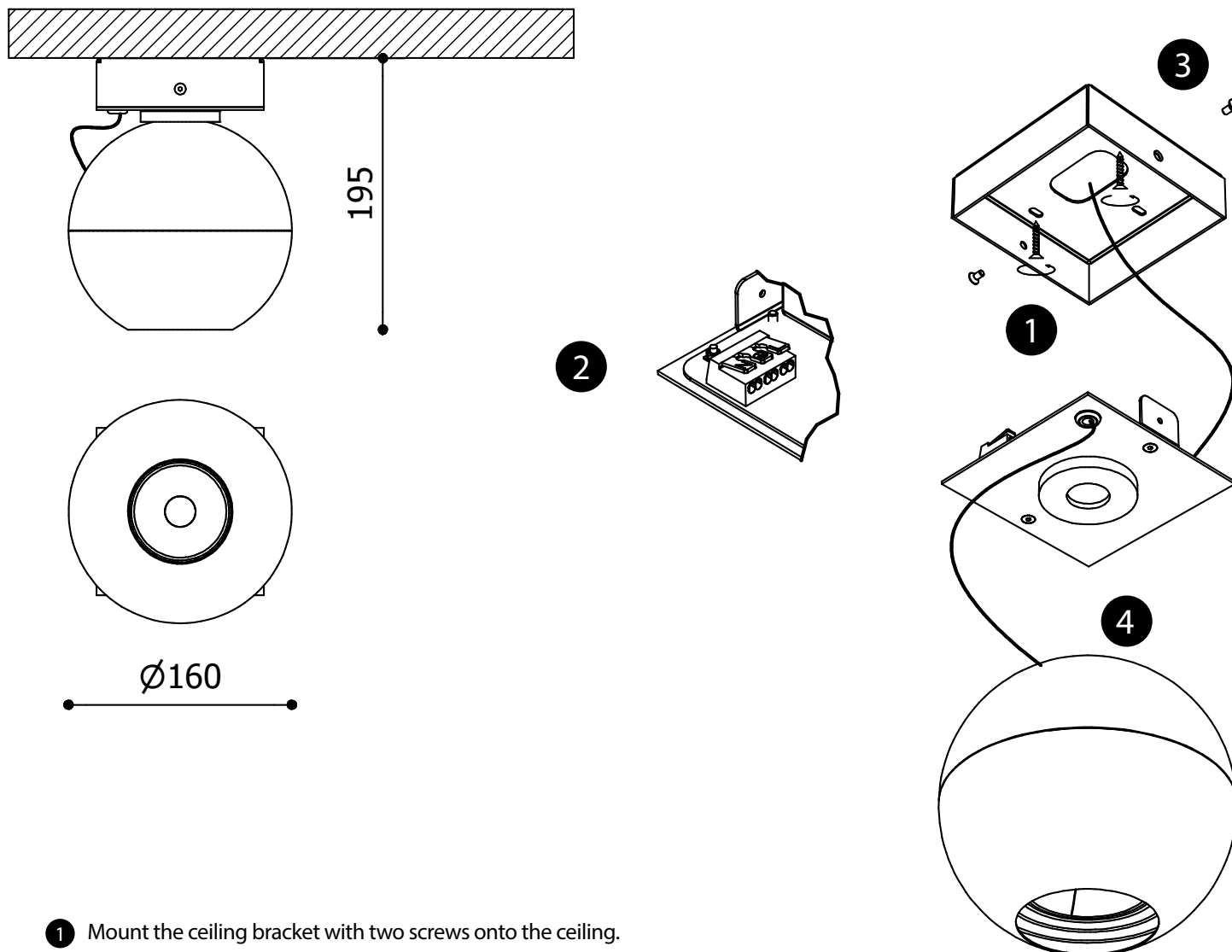
Lighting fixture is constant current driven.  
For drivers purchase, contact your sales contact.  
Always connect constant current leds in serial connection.

Check catalogue P 488-489 (Installation of LED)



# ASSEMBLY DOCTOR 12-25 BOX L1

design co twee for dark



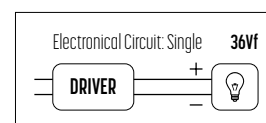
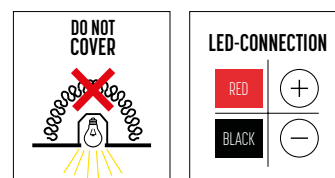
- 1 Mount the ceiling bracket with two screws onto the ceiling.
- 2 Connect the power supply.
- 3 Mount the fixture on the bracket with the two hexagonal screws provided.
- 4 Mount the sphere onto the magnet plate.

## LIGHT SOURCE

Touching the LED can result in permanent damage of the light source.  
The light source contained in this luminaire shall only be replaced by the manufacturer or his service agent or a similar qualified person.  
Always be properly grounded when touching leads or circuitry inside the luminaire.

!!! Never connect the fixture on 220-240V ac without driver.  
Lighting fixture is constant current driven.  
For drivers purchase, contact your sales contact.  
Always connect constant current leds in serial connection.

Check catalogue P 488-489 (Installation of LED)



@700mA = +-1300Lm= 17.8W

Metal



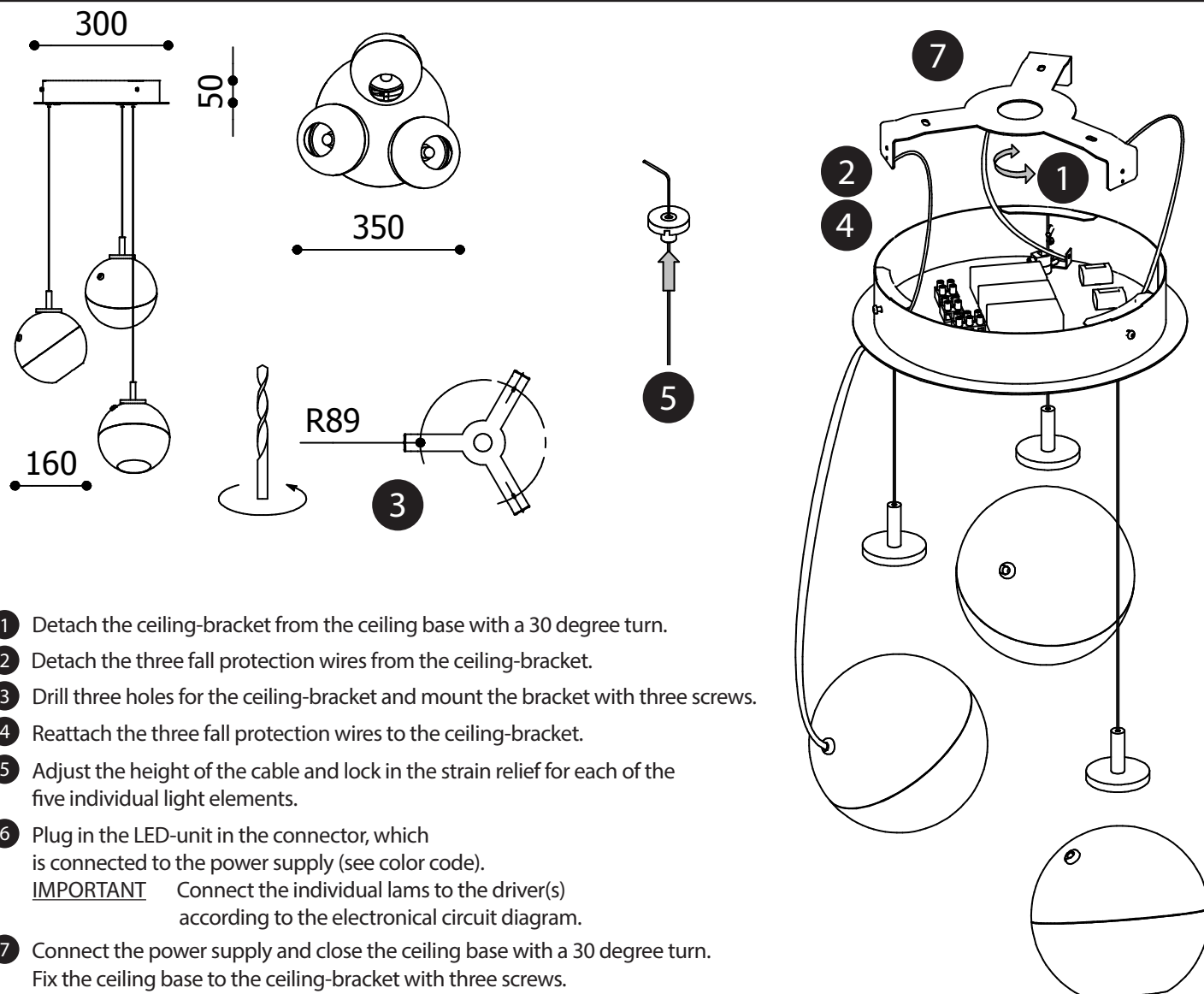
# DARK®

© DARK 2021 / DARK has the right to change any technical data, dimensions, colors and characteristics without prior notice. All rights reserved.  
Please always check the latest technical data sheet on [www.dark.be](http://www.dark.be).

DARK at night nv  
Vliegplein 43 / 9991 Maldegem / Belgium  
+32 50 71 81 40 / [info@dark.be](mailto:info@dark.be) / [www.dark.be](http://www.dark.be)

# ASSEMBLY DOCTOR 12-25 CLUB 3 LED

design co twee for dark



- 1 Detach the ceiling-bracket from the ceiling base with a 30 degree turn.
- 2 Detach the three fall protection wires from the ceiling-bracket.
- 3 Drill three holes for the ceiling-bracket and mount the bracket with three screws.
- 4 Reattach the three fall protection wires to the ceiling-bracket.
- 5 Adjust the height of the cable and lock in the strain relief for each of the five individual light elements.
- 6 Plug in the LED-unit in the connector, which is connected to the power supply (see color code).  
**IMPORTANT** Connect the individual lams to the driver(s) according to the electrical circuit diagram.
- 7 Connect the power supply and close the ceiling base with a 30 degree turn. Fix the ceiling base to the ceiling-bracket with three screws.

### IMPORTANT NOTICE

In all cases use handgloves to mount the fixture.  
Ensure the power cable is not connected to the power supply!  
Ensure the driver has not been powered for at least 1 minute before connecting to the LED-unit.  
Connect the LED first, secondly the side of the mains.

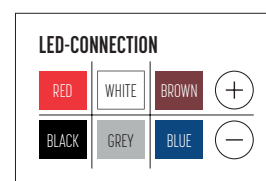
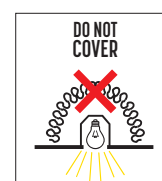
- 8 Put on the power.

### LIGHT SOURCE

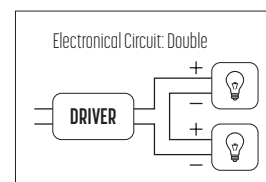
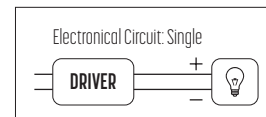
Touching the LED can result in permanent damage of the light source.  
The light source contained in this luminaire shall only be replaced by the manufacturer or his service agent or a similar qualified person.  
Always be properly grounded when touching leads or circuitry inside the luminaire.

!!! Never connect the fixture on 220-240V ac without driver.  
Lighting fixture is constant current driven.  
For drivers purchase, contact your sales contact.  
Always connect constant current leds in serial connection.

Check catalogue P 488-489 (Installation of LED)



6



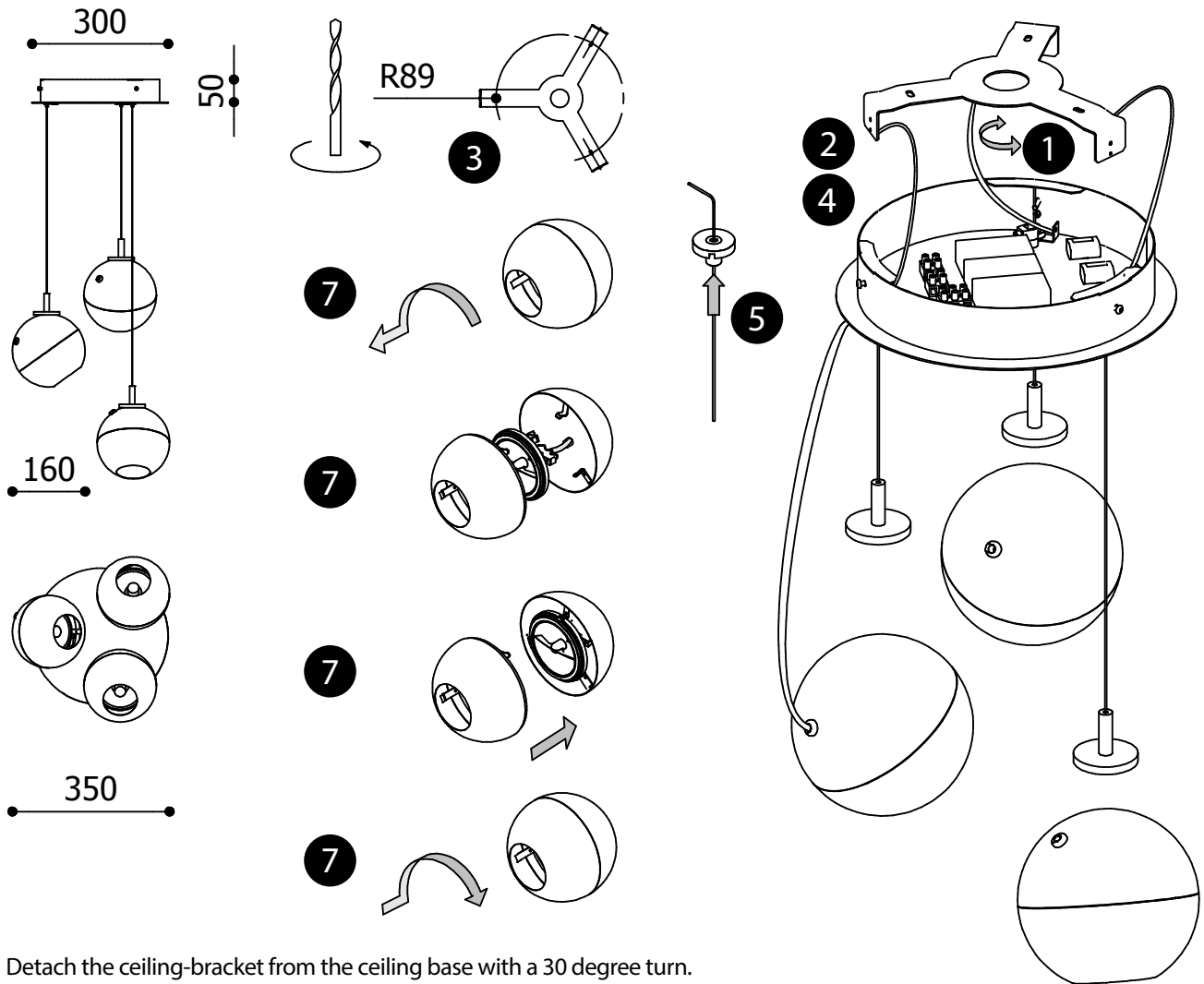
@700mA = +-1300Lm = 11.7W  
@500mA = +-1000Lm = 10.9W

Metal



# ASSEMBLY DOCTOR 12-25 CLUB 3

design co twee for dark



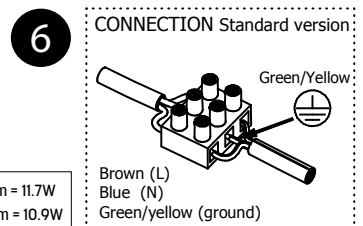
- 1 Detach the ceiling-bracket from the ceiling base with a 30 degree turn.
- 2 Detach the three fall protection wires from the ceiling-bracket.
- 3 Drill three holes for the ceiling-bracket and mount the bracket with three screws.
- 4 Reattach the three fall protection wires to the ceiling-bracket.
- 5 Adjust the height of the cable and lock in the strain relief for each of the five individual light elements.
- 6 Connect the power supply and close the ceiling base with a 30 degree turn. Fix the ceiling base to the ceiling-bracket with three screws.
- 7 To (re)place the lamp(s), remove the frontpart of the sphere.
- 8 Insert a lamp in the fixture. Respect the wattage.
- 9 Use the spring to fixate the lamp(s).
- 10 Turn the frontpart of the sphere back onto the fixture.

## LIGHT SOURCE

Touching the LED can result in permanent damage of the light source. The light source contained in this luminaire shall only be replaced by the manufacturer or his service agent or a similar qualified person. Always be properly grounded when touching leads or circuitry inside the luminaire.

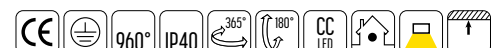
!!! Never connect the fixture on 220-240V ac without driver.  
Lighting fixture is constant current driven.  
For drivers purchase, contact your sales contact.  
Always connect constant current leds in serial connection.

Check catalogue P 488-489 (Installation of LED)



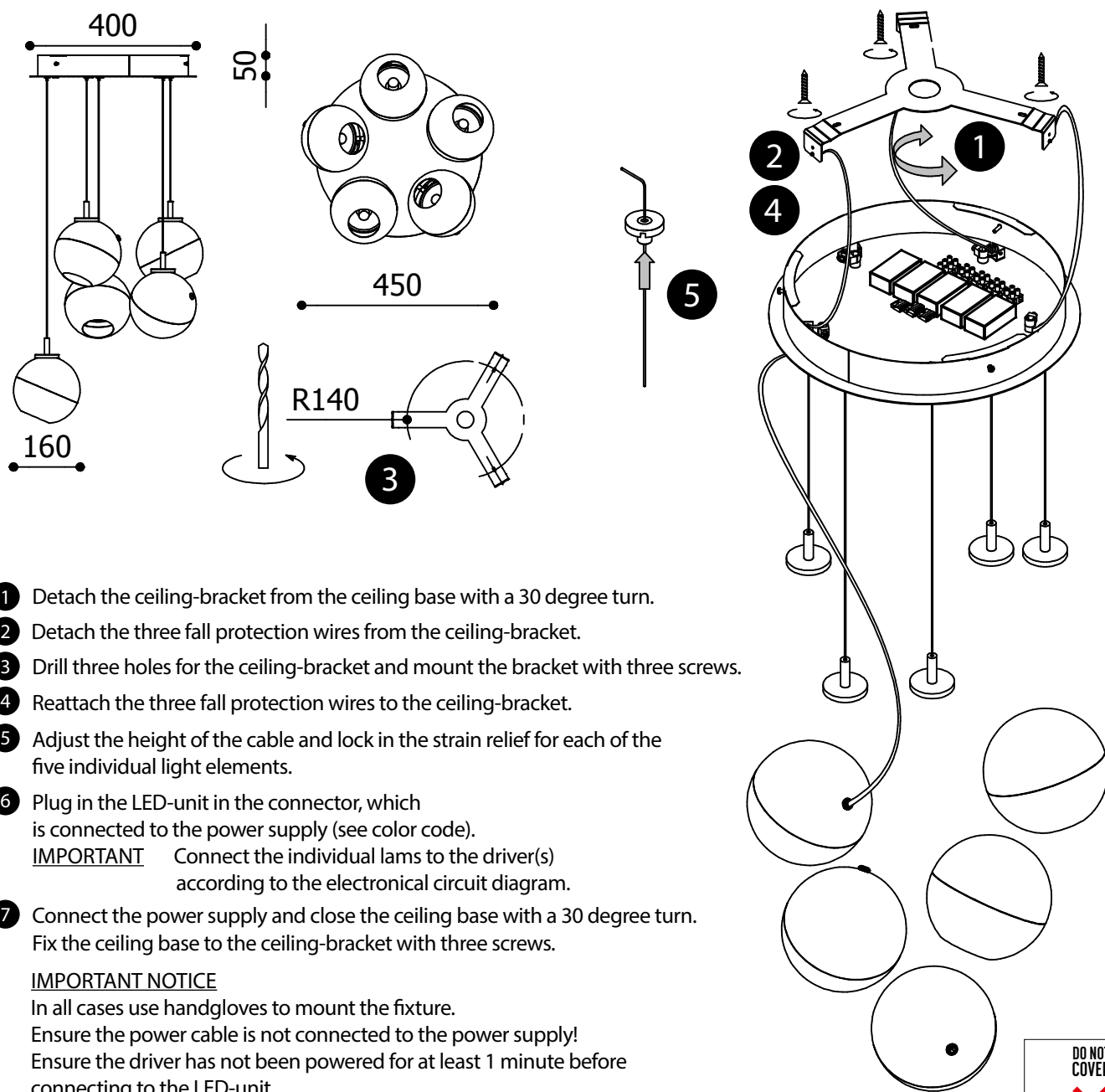
@700mA = +-1300Lm = 11.7W  
@500mA = +-1000Lm = 10.9W

Metal



# ASSEMBLY DOCTOR 12-25 CLUB 3 LED

design co twee for dark



- 1 Detach the ceiling-bracket from the ceiling base with a 30 degree turn.
- 2 Detach the three fall protection wires from the ceiling-bracket.
- 3 Drill three holes for the ceiling-bracket and mount the bracket with three screws.
- 4 Reattach the three fall protection wires to the ceiling-bracket.
- 5 Adjust the height of the cable and lock in the strain relief for each of the five individual light elements.
- 6 Plug in the LED-unit in the connector, which is connected to the power supply (see color code).  
**IMPORTANT** Connect the individual lams to the driver(s) according to the electrical circuit diagram.
- 7 Connect the power supply and close the ceiling base with a 30 degree turn. Fix the ceiling base to the ceiling-bracket with three screws.

### IMPORTANT NOTICE

In all cases use handgloves to mount the fixture.  
Ensure the power cable is not connected to the power supply!  
Ensure the driver has not been powered for at least 1 minute before connecting to the LED-unit.  
Connect the LED first, secondly the side of the mains.

- 8 Put on the power.

### LIGHT SOURCE

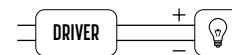
Touching the LED can result in permanent damage of the light source.  
The light source contained in this luminaire shall only be replaced by the manufacturer or his service agent or a similar qualified person.  
Always be properly grounded when touching leads or circuitry inside the luminaire.

!!! Never connect the fixture on 220-240V ac without driver.  
Lighting fixture is constant current driven.  
For drivers purchase, contact your sales contact.  
Always connect constant current leds in serial connection.

Check catalogue P 488-489 (Installation of LED)

6

Electrical Circuit: Single

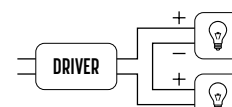


@700mA = +-1300Lm = 11.7W  
@500mA = +-1000Lm = 10.9W

### LED-CONNECTION



Electrical Circuit: Double

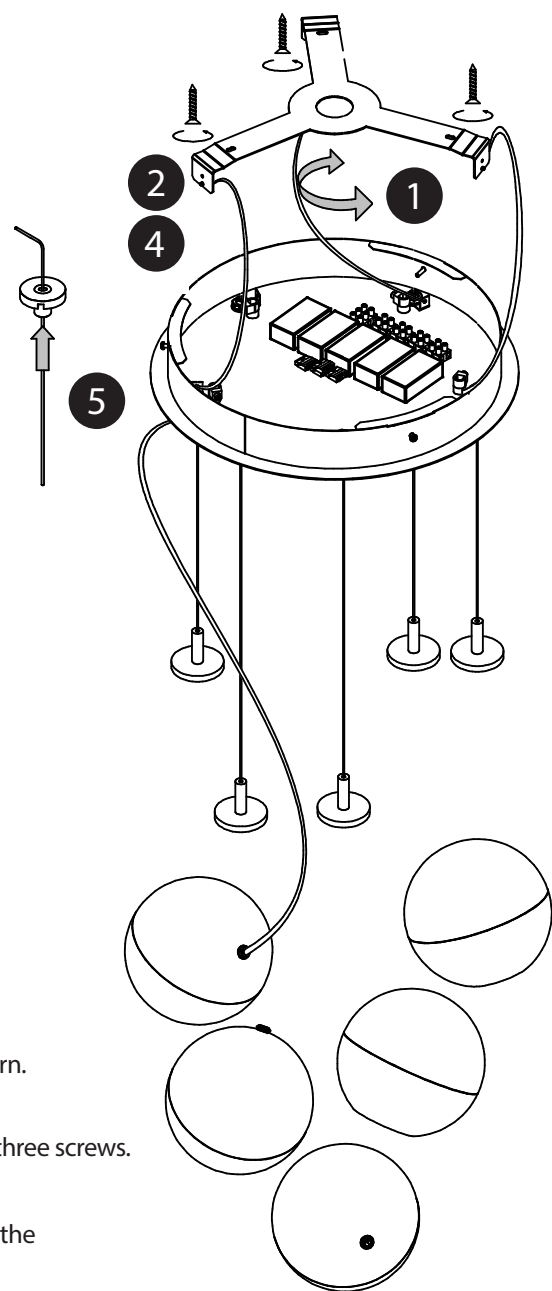
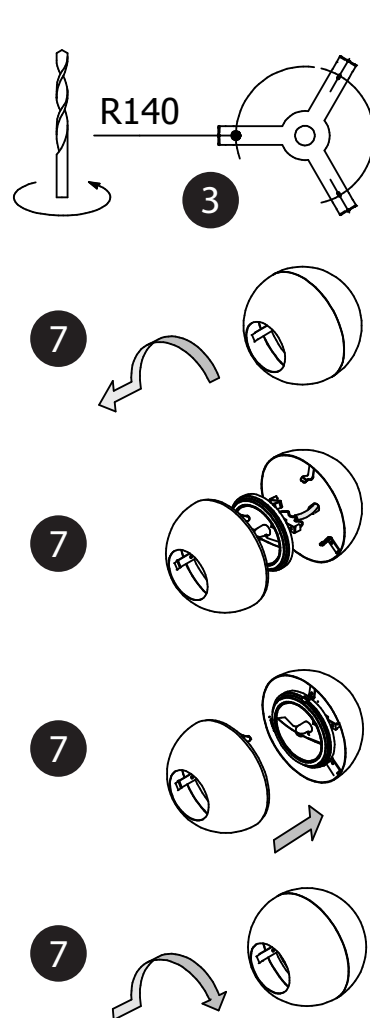
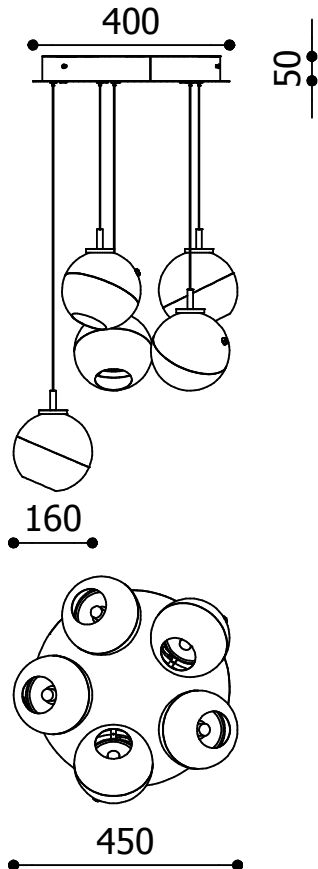


Metal



# ASSEMBLY DOCTOR 12-25 CLUB 5

design co twee for dark

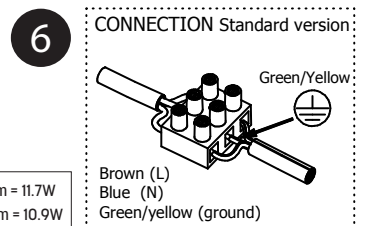
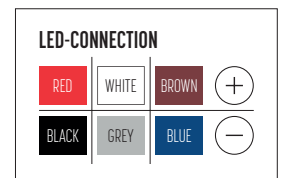
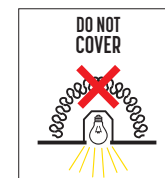


- 1 Detach the ceiling-bracket from the ceiling base with a 30 degree turn.
- 2 Detach the three fall protection wires from the ceiling-bracket.
- 3 Drill three holes for the ceiling-bracket and mount the bracket with three screws.
- 4 Reattach the three fall protection wires to the ceiling-bracket.
- 5 Adjust the height of the cable and lock in the strain relief for each of the five individual light elements.
- 6 Connect the power supply and close the ceiling base with a 30 degree turn. Fix the ceiling base to the ceiling-bracket with three screws.
- 7 To (re)place the lamp(s), remove the frontpart of the sphere.
- 8 Insert a lamp in the fixture. Respect the wattage.
- 9 Use the spring to fixate the lamp(s).
- 10 Turn the frontpart of the sphere back onto the fixture.

## LIGHT SOURCE

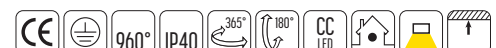
Touching the LED can result in permanent damage of the light source.  
The light source contained in this luminaire shall only be replaced by the manufacturer or his service agent or a similar qualified person.  
Always be properly grounded when touching leads or circuitry inside the luminaire.

**!!! Never connect the fixture on 220-240V ac without driver.**  
Lighting fixture is constant current driven.  
For drivers purchase, contact your sales contact.  
Always connect constant current leds in serial connection.



@700mA = +-1300Lm = 11.7W  
@500mA = +-1000Lm = 10.9W

Metal

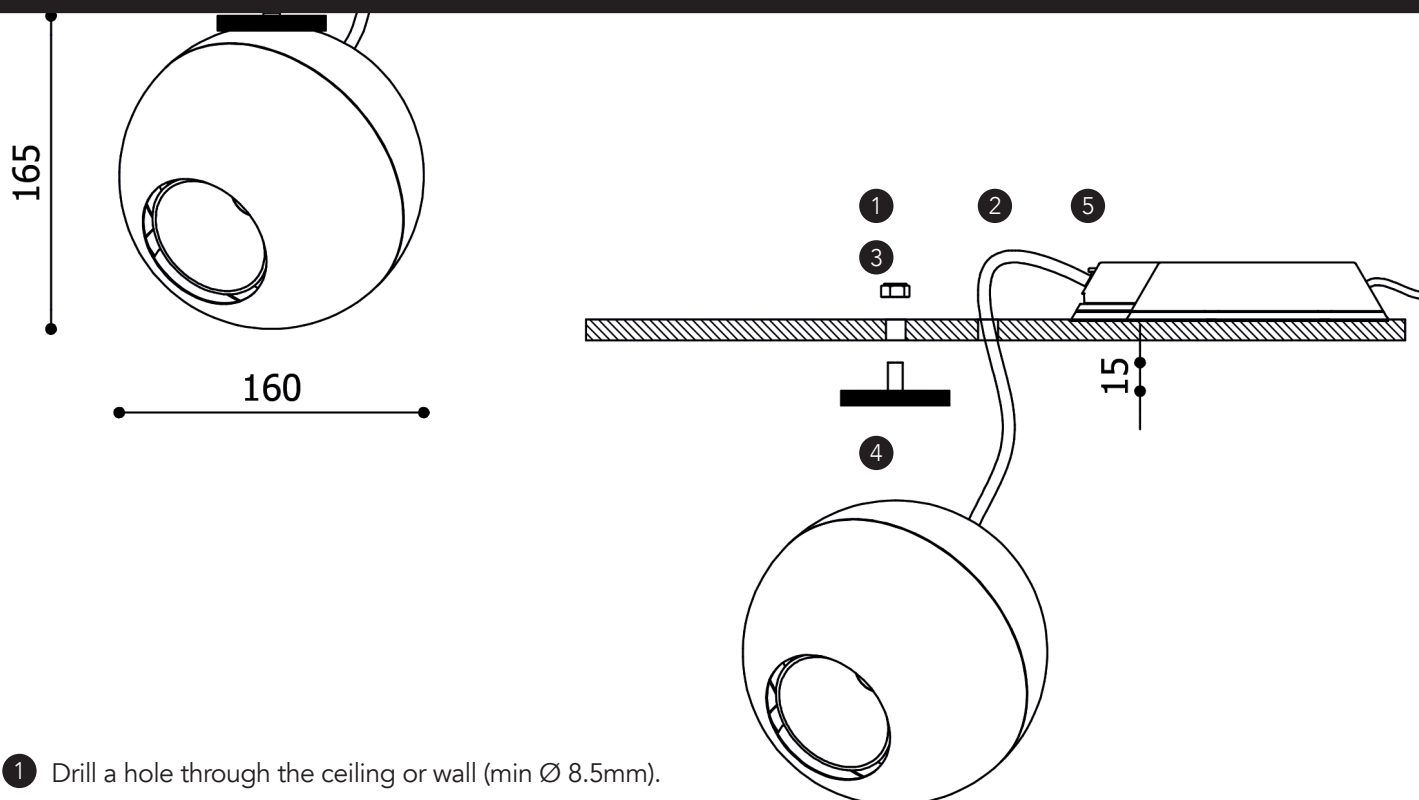


Check catalogue P 488-489 (Installation of LED)



# ASSEMBLY DOCTOR 12-25 BASIC LED\*

design co twee for dark



- 1 Drill a hole through the ceiling or wall (min Ø 8.5mm).
- 2 Drill a hole for the cable of the power supply.
- 3 Fixate the magnet using the locknut (M8\*1,25).
- 4 Mount the sphere onto the magnet.
- 5 Connect the LED-unit to the LED-driver.

## IMPORTANT NOTICE

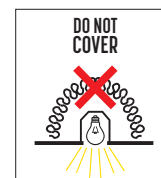
Ensure the power cable is not connected to the power supply!  
Ensure the driver has not been powered for at least 1 minute before connecting to the LED-unit.

- 6 Connect the powersupply to the LED-driver and turn on the power.

\*Please apply the LED Validation& conditions

## LIGHT SOURCE

Touching the LED can result in permanent damage of the light source.  
The light source contained in this luminaire shall only be replaced by the manufacturer or his service agent or a similar qualified person.  
Always be properly grounded when touching leads or circuitry inside the luminaire.



## !!! Never connect the fixture on 220-240V ac without driver.

Lighting fixture is constant current driven.  
For drivers purchase, contact your sales contact.  
Always connect constant current leds in serial connection.

Check catalogue P 488-489 (Installation of LED)

@700mA = +-1300Lm = 11.7W  
@500mA = +-1000Lm = 10.9W

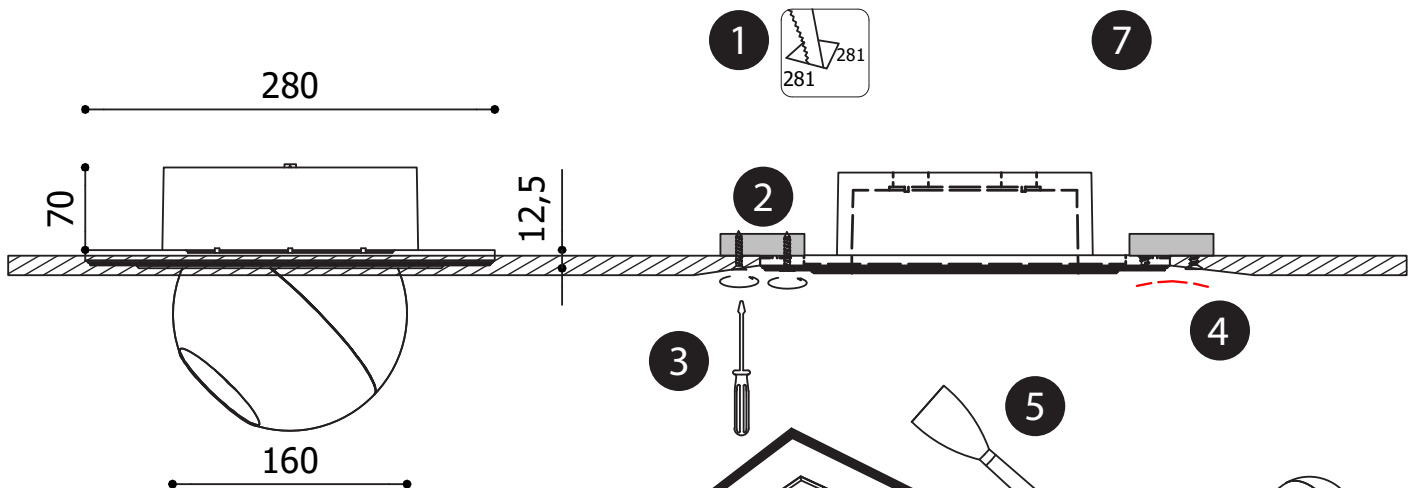
## LED-CONNECTION

RED	WHITE	BROWN	+
BLACK	GREY	BLUE	-

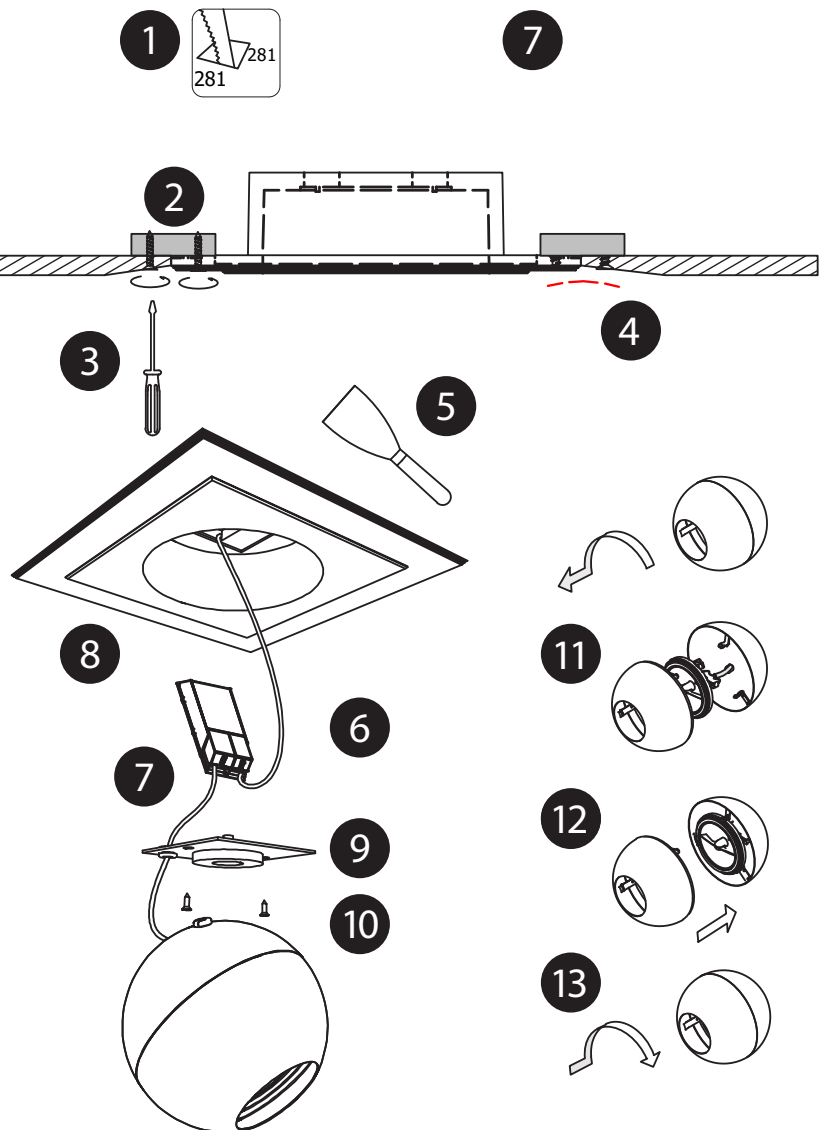


# ASSEMBLY DOCTOR 12-25 MALAGA 1

design co twee for dark



- 1 Make a square hole in the ceiling or wall for the plasterkit.
- 2 Use metal studs or wood to construct a back frame.
- 3 Mount the plasterkit using drywall screws.
- 4 Paste a glassfibre joint netting over the seams.
- 5 Finish the seams using gypsum. Sand and paint the surface.
- 6 Connect the power cable to the power supply, transfo, driver or gear.
- 7 Connect the lamp unit to the power supply, transfo, driver or gear.
- 8 Insert the transfo, driver or gear into the recessed ceiling.
- 9 Mount the magnet plate into the plaster frame with the 2 screws.
- 10 Mount the lamp unit on the magnet.
- 11 To (re)place the lamp, remove the frontpart of the sphere.
- 12 Use the 3 springs to fixate the lamps.
- 13 Turn the frontpart of the sphere back onto the fixture.



## IMPORTANT NOTICE

In all cases use handgloves to mount the fixture.  
 Ensure the power cable is not connected to the power supply!  
 Ensure the driver has not been powered for at least 1 minute before connecting to the LED-unit.  
 Connect the LED first, secondly the side of the mains.

- 14 Put on the power.

## LIGHT SOURCE

Touching the LED can result in permanent damage of the light source.  
 The light source contained in this luminaire shall only be replaced by the manufacturer or his service agent or a similar qualified person.  
 Always be properly grounded when touching leads or circuitry inside the luminaire.

!!! Never connect the fixture on 220-240V ac without driver.  
 Lighting fixture is constant current driven.  
 For drivers purchase, contact your sales contact.  
 Always connect constant current leds in serial connection.

Check catalogue P 488-489 (Installation of LED)



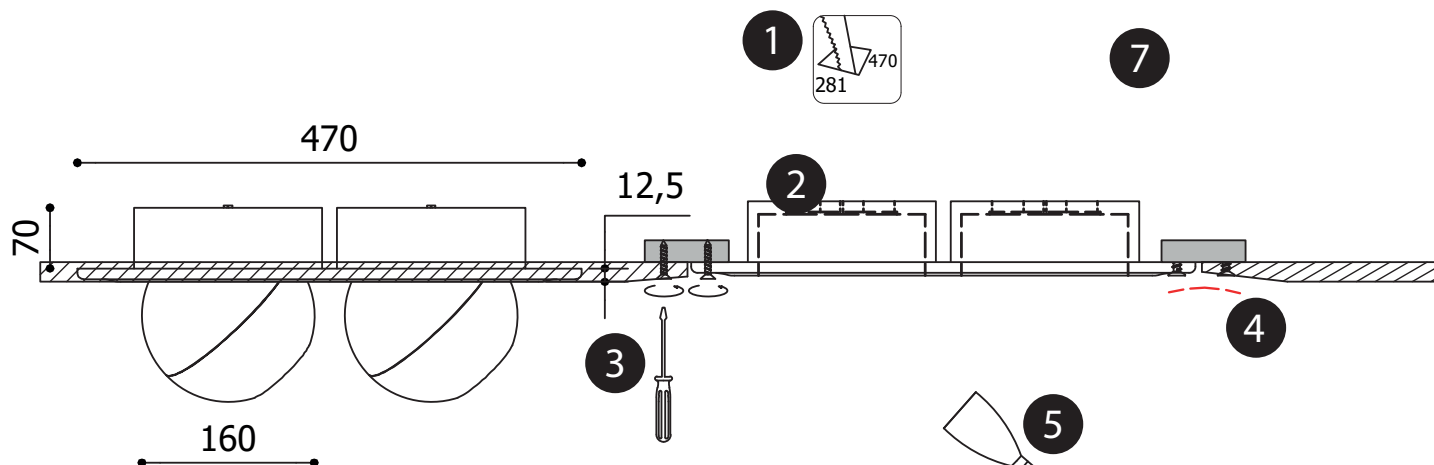
LED-CONNECTION			
RED	WHITE	BROWN	+
BLACK	GREY	BLUE	-

@700mA = +-1300Lm = 11.7W  
 @500mA = +-1000Lm = 10.9W

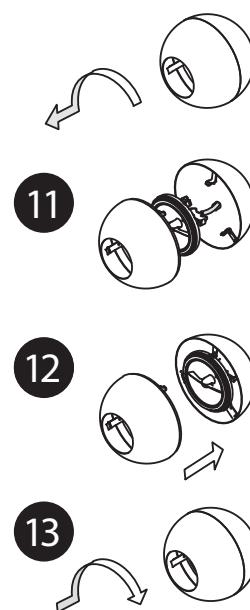
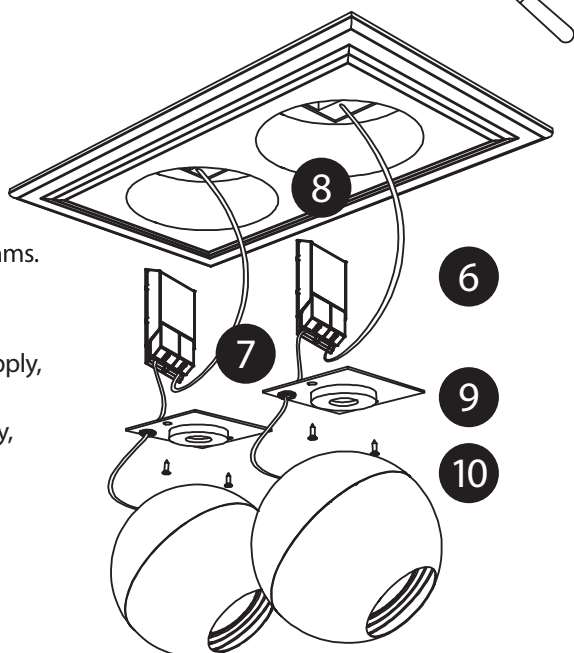


# ASSEMBLY DOCTOR 12-25 MALAGA 2

design co twee for dark



- 1 Make a square hole in the ceiling or wall for the plasterkit.
- 2 Use metal studs or wood to construct a back frame.
- 3 Mount the plasterkit using drywall screws.
- 4 Paste a glassfibre joint netting over the seams.
- 5 Finish the seams using gypsum. Sand and paint the surface.
- 6 Connect the power cable to the power supply, transfo, driver or gear.
- 7 Connect the lamp unit to the power supply, transfo, driver or gear.
- 8 Insert the transfo, driver or gear into the recessed ceiling.
- 9 Mount the magnet plate into the plaster frame with the 2 screws.
- 10 Mount the lamp unit on the magnet.
- 11 To (re)place the lamp, remove the frontpart of the sphere.
- 12 Use the 3 springs to fixate the lamps.
- 13 Turn the frontpart of the sphere back onto the fixture.



## IMPORTANT NOTICE

In all cases use handgloves to mount the fixture.  
 Ensure the power cable is not connected to the power supply!  
 Ensure the driver has not been powered for at least 1 minute before connecting to the LED-unit.  
 Connect the LED first, secondly the side of the mains.

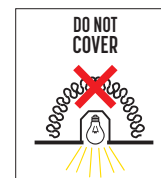
- 14 Put on the power.

## LIGHT SOURCE

Touching the LED can result in permanent damage of the light source.  
 The light source contained in this luminaire shall only be replaced by the manufacturer or his service agent or a similar qualified person.  
 Always be properly grounded when touching leads or circuitry inside the luminaire.

!!! Never connect the fixture on 220-240V ac without driver.  
 Lighting fixture is constant current driven.  
 For drivers purchase, contact your sales contact.  
 Always connect constant current leds in serial connection.

Check catalogue P 488-489 (Installation of LED)



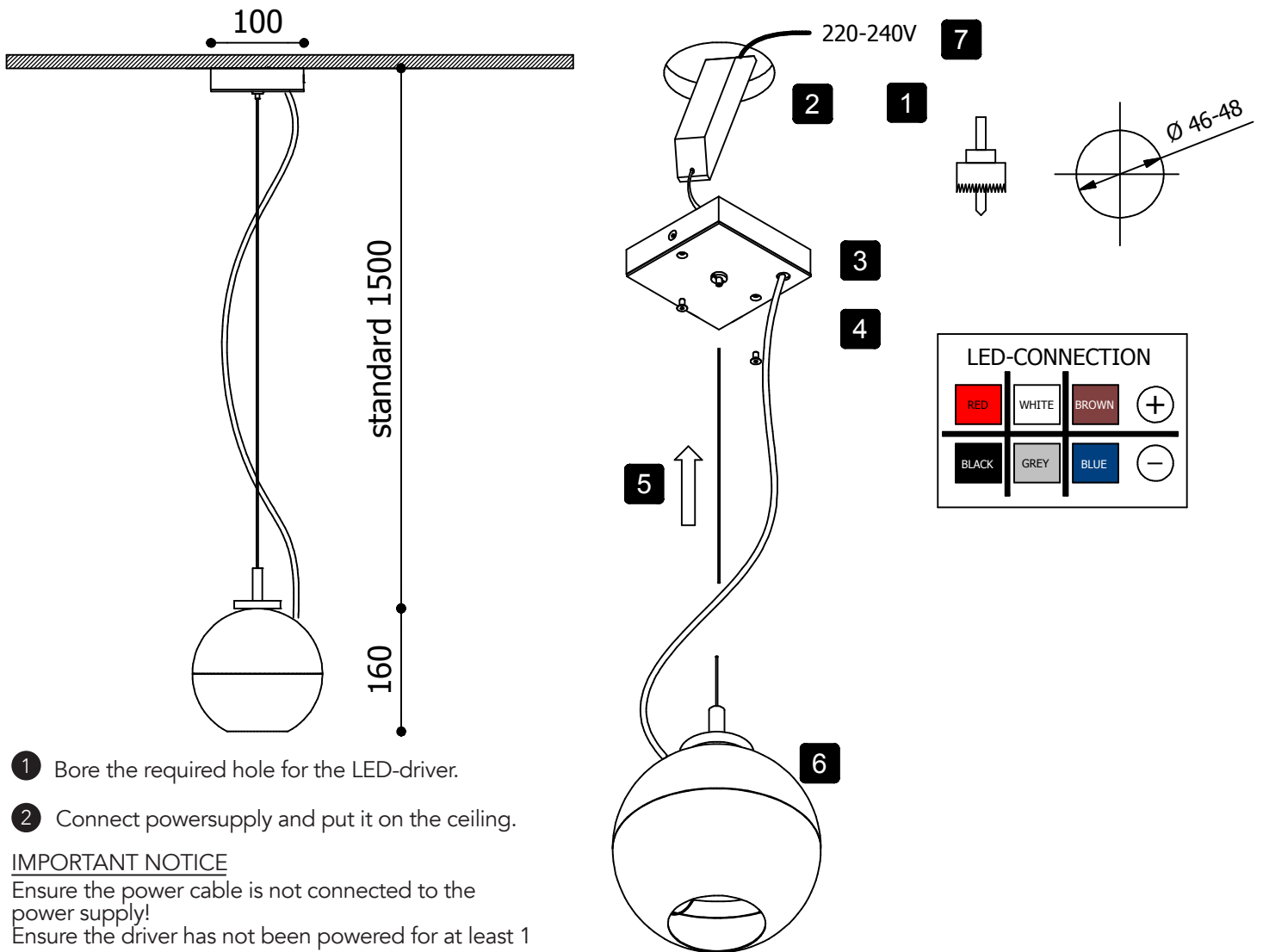
LED-CONNECTION			
RED	WHITE	BROWN	+
BLACK	GREY	BLUE	-

@700mA = +-1300Lm = 11.7W  
 @500mA = +-1000Lm = 10.9W



# ASSEMBLY DOCTOR 12-25 s LED\*

design co twee for dark



- 1 Bore the required hole for the LED-driver.
  - 2 Connect powersupply and put it on the ceiling.
- IMPORTANT NOTICE**  
Ensure the power cable is not connected to the power supply!  
Ensure the driver has not been powered for at least 1
- 3 Mount the ceiling bracket with two or four screws onto ceiling.
  - 4 Plug in the LED-unit in the connector, which is connected to the power supply. See color codes.
  - 5 Insert the cable into the gripper and adjust to the preferred height. Close the ceiling base with the two screws.
  - 6 Attach the sphere onto the magnet.
  - 7 Put on the powersupply to the LED-driver.  
Placing the powersupply on an electrical panel at distance: cable = 1.25 mm<sup>2</sup>  
max. distance = 15m for 700mA / 20m for 500mA

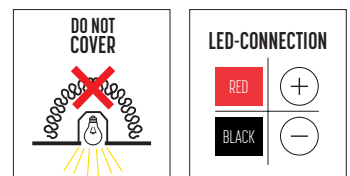
## LIGHT SOURCE

Touching the LED can result in permanent damage of the light source.  
The light source contained in this luminaire shall only be replaced by the manufacturer or his service agent or a similar qualified person.  
Always be properly grounded when touching leads or circuitry inside the luminaire.

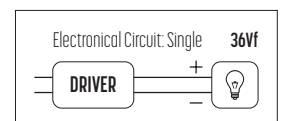
## !!! Never connect the fixture on 220-240V ac without driver.

Lighting fixture is constant current driven.  
For drivers purchase, contact your sales contact.  
Always connect constant current leds in serial connection.

Check catalogue P 488-489 (Installation of LED)

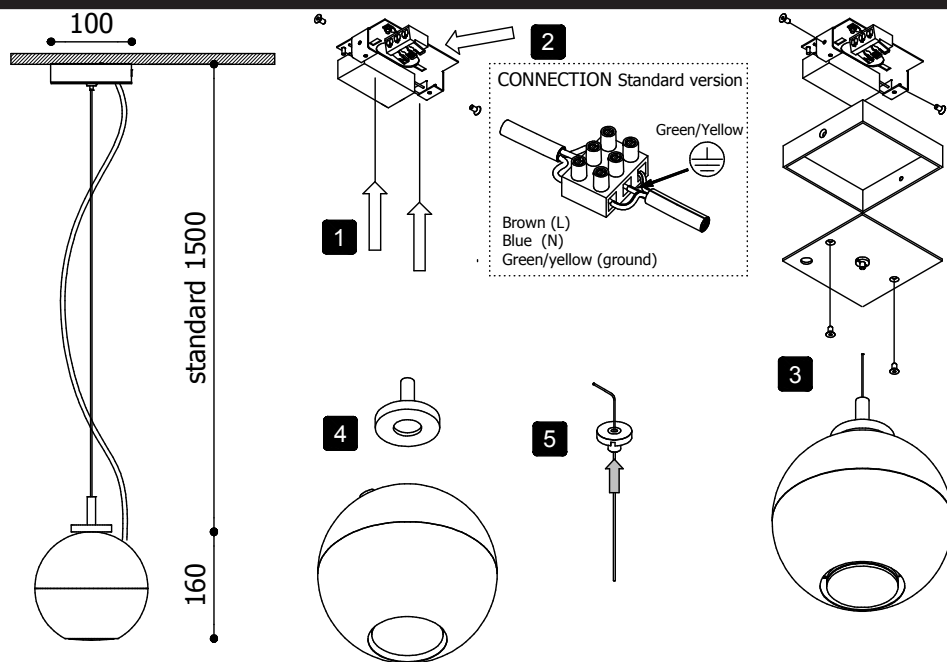


@700mA = +-1300Lm= 17.8W



# ASSEMBLY DOCTOR 12-25 s

design co twee for dark



- 1 Mount the bracket with two or four screws to the ceiling.
- 2 Connect the power supply.
- 3 Mount the ceiling base on the bracket with the two hexagonal screws.
- 4 Attach the sphere onto the magnet.
- 5 Insert the cable into the gripper and adjust to the preferred height.
- 6 Lamp (re)placement.
  - a. Remove the front half of the sphere.
  - b. Turn the lamp into the lampholder. Respect the wattage of the fixture.
  - c. Remount the front half of the sphere.
- 7 Put on the powersupply to the LED-driver.

## LIGHT SOURCE

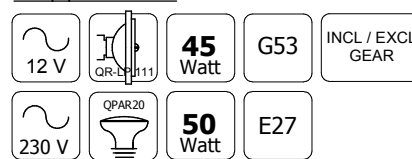
Touching the LED can result in permanent damage of the light source.  
The light source contained in this luminaire shall only be replaced by the manufacturer or his service agent or a similar qualified person.  
Always be properly grounded when touching leads or circuitry inside the luminaire.

### !!! Never connect the fixture on 220-240V ac without driver.

Lighting fixture is constant current driven.  
For drivers purchase, contact your sales contact.  
Always connect constant current leds in serial connection.

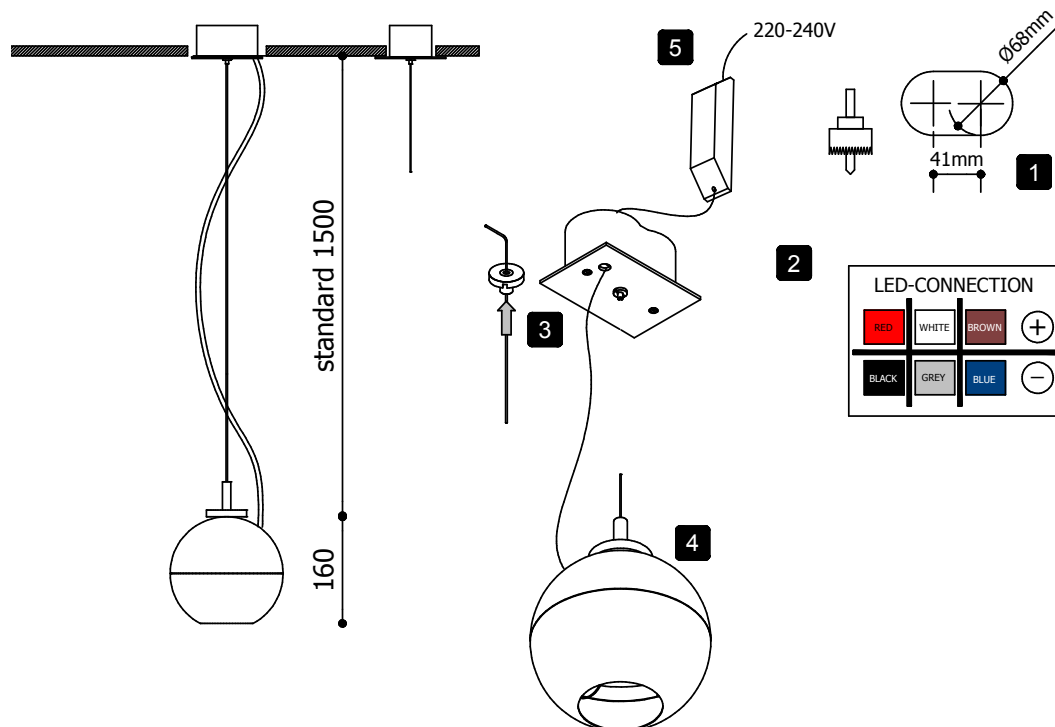
Check catalogue P 488-489 (Installation of LED)

#### Lamp possibilities :



# ASSEMBLY DOCTOR 12-25 S2 LED

design co twee for dark



- 1 Make the cutout for the connection box.  
FRONTPLATE CUT OUT 108 x 68 mm
- 2 Put the wall box in the hole and connect the the LED-unit to the LED-driver

### IMPORTANT NOTICE:

Ensure the power cable is not connected to the power supply!  
Ensure the driver has not been powered for at least 1 minute before connecting to the LED-unit.

- 3 Insert the cable into the gripper and adjust to the preferred height. Close the fixture with the two screws.
- 4 Mount the sphere onto the magnet.
- 5 Put on the powersupply to the LED-driver.

Placing the powersupply on an electrical panel at distance: cable 1.25 mm<sup>2</sup>  
max. distance = 15 m for 700 mA / 20 m for 500mA

\* Please apply the LED Warranty Validation & Conditions.

### LIGHT SOURCE

Touching the LED can result in permanent damage of the light source.  
The light source contained in this luminaire shall only be replaced by the manufacturer or his service agent or a similar qualified person.  
Always be properly grounded when touching leads or circuitry inside the luminaire.

### !!! Never connect the fixture on 220-240V ac without driver.

Lighting fixture is constant current driven.  
For drivers purchase, contact your sales contact.  
Always connect constant current leds in serial connection.

Check catalogue P 488-489 (Installation of LED)

### LED possibilities:

LED	>80 CRI	700 mA	1300 Lm	11.7 Watt
LED	>95 CRI	500 mA	1000 Lm	10.9 Watt

**Remark:** INCL. DRIVER Order the Remote-type driver separately:

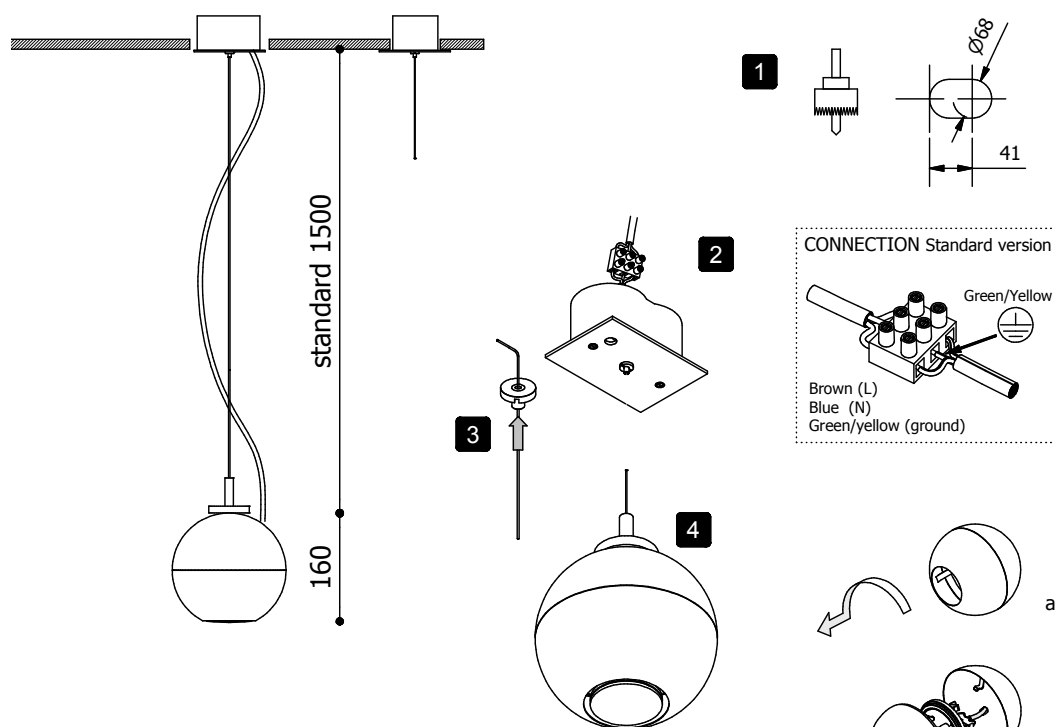


Metal



# ASSEMBLY DOCTOR 12-25 s2

design co twee for dark



- 1 Make the cutout for the connection box.  
FRONTPLATE CUT OUT 108 x 68 mm
- 2 Put the wall box in the hole and connect the power supply.
- 3 Insert the cable into the gripper and adjust to the preferred height. Close the fixture with the two screws.
- 4 Mount the sphere onto the magnet.
- 5 Lamp (re)placement.
  - a. Remove the front half of the sphere.
  - b. Turn the lamp into the lampholder. Respect the wattage of the fixture.
  - c. Remount the front half of the sphere.

## LIGHT SOURCE

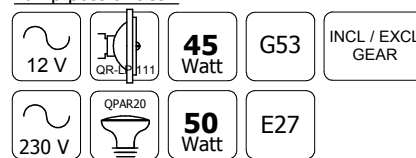
Touching the LED can result in permanent damage of the light source.  
The light source contained in this luminaire shall only be replaced by the manufacturer or his service agent or a similar qualified person.  
Always be properly grounded when touching leads or circuitry inside the luminaire.

### !!! Never connect the fixture on 220-240V ac without driver.

Lighting fixture is constant current driven.  
For drivers purchase, contact your sales contact.  
Always connect constant current leds in serial connection.

Check catalogue P 488-489 (Installation of LED)

#### Lamp possibilities :

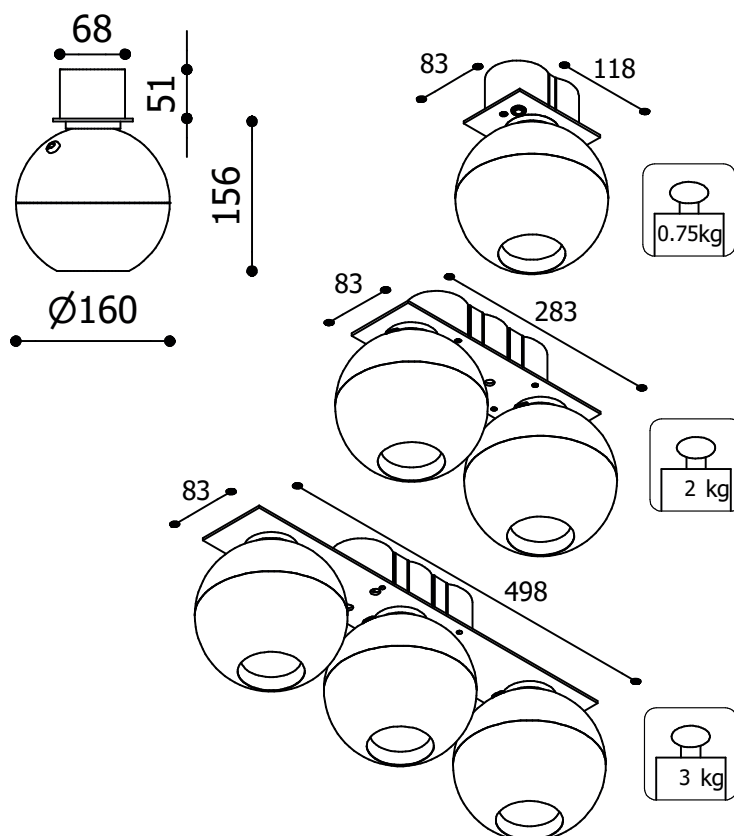
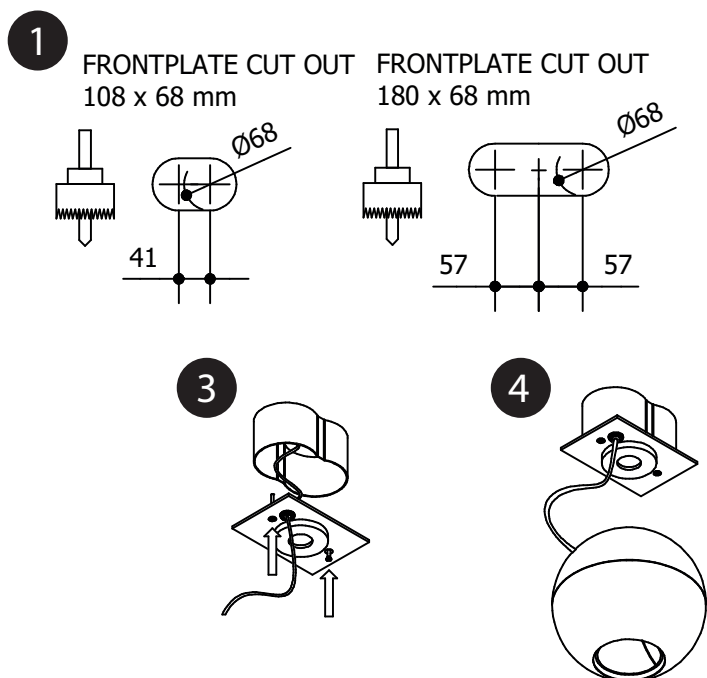


Metal



# ASSEMBLY DOCTOR 12-25 SET1, SET2, SET3 LED

design co twee for dark



- 1 Make the cutout for the connection box.
- 2 Plug in the LED-unit in the connector, which is connected to the power supply (see color code).  
**IMPORTANT** Connect the individual lams to the driver(s) according to the electrical circuit diagram.
- 3 Place the fixture over the connection box and fixate.
- 4 Connect the sphere(s) to the magnet(s).

### IMPORTANT NOTICE

In all cases use handgloves to mount the fixture.  
Ensure the power cable is not connected to the power supply!  
Ensure the driver has not been powered for at least 1 minute before connecting to the LED-unit.  
Connect the LED first, secondly the side of the mains.

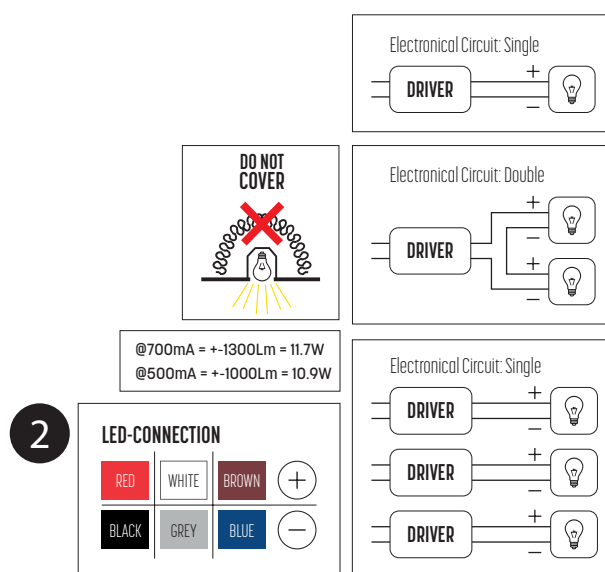
- 5 Put on the power.

### LIGHT SOURCE

Touching the LED can result in permanent damage of the light source.  
The light source contained in this luminaire shall only be replaced by the manufacturer or his service agent or a similar qualified person.  
Always be properly grounded when touching leads or circuitry inside the luminaire.

**!!! Never connect the fixture on 220-240V ac without driver.**  
Lighting fixture is constant current driven.  
For drivers purchase, contact your sales contact.  
Always connect constant current leds in serial connection.

Check catalogue P 488-489 (Installation of LED)

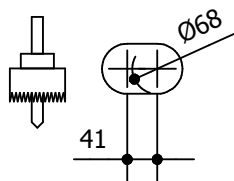




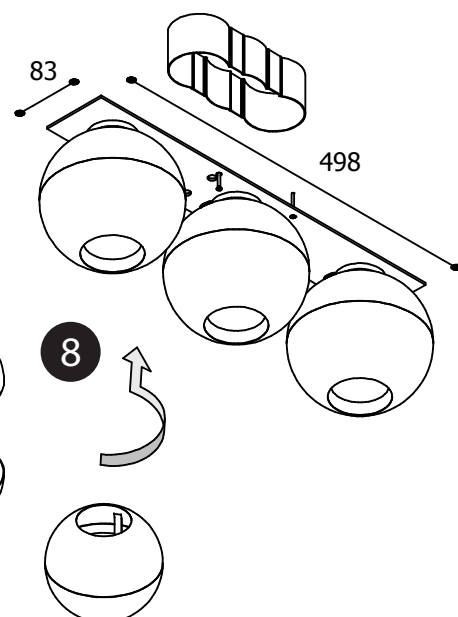
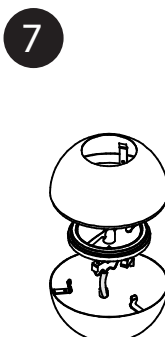
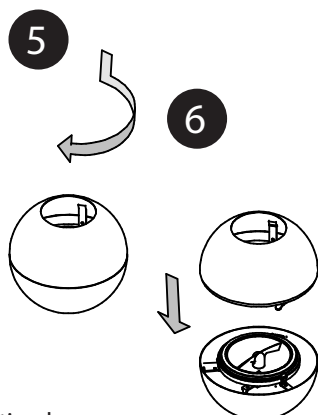
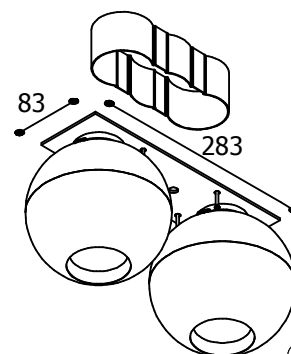
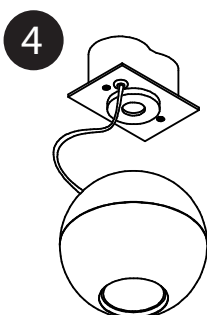
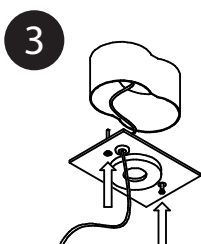
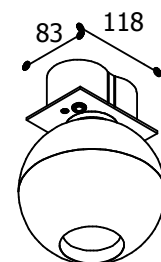
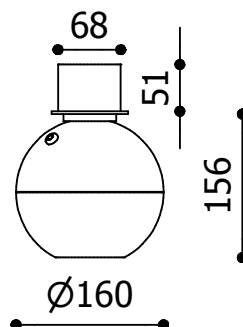
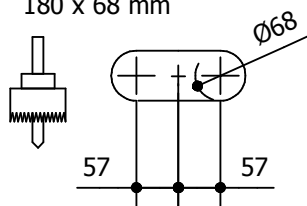
# ASSEMBLY DOCTOR 12-25 SET1, SET2, SET3

design co twee for dark

- 1** FRONTPLATE CUT OUT 108 x 68 mm



- FRONTPLATE CUT OUT 180 x 68 mm



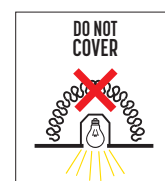
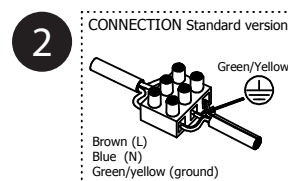
- 1** Make the cutout for the connection box.
- 2** Connect the power supply.
- 3** Place the fixture over the connection box and fixate.
- 4** Connect the fixture to the magnet.
- 5** To (re)place the lamp, remove the frontpart of the sphere.
- 6** Turn the frontpart of the sphere back onto the fixture.
- 7** Insert a lamp in the fixture. Respect the wattage of the gear.
- 8** Use the spring to fixate the lamps.

## LIGHT SOURCE

Touching the LED can result in permanent damage of the light source.  
The light source contained in this luminaire shall only be replaced by the manufacturer or his service agent or a similar qualified person.  
Always be properly grounded when touching leads or circuitry inside the luminaire.

!!! Never connect the fixture on 220-240V ac without driver.  
Lighting fixture is constant current driven.  
For drivers purchase, contact your sales contact.  
Always connect constant current leds in serial connection.

Check catalogue P 488-489 (Installation of LED)

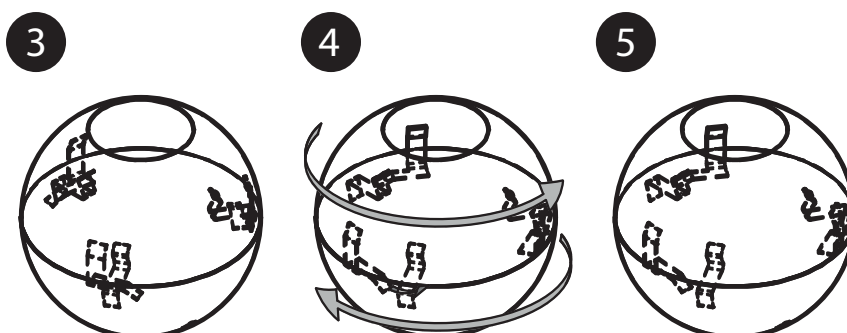
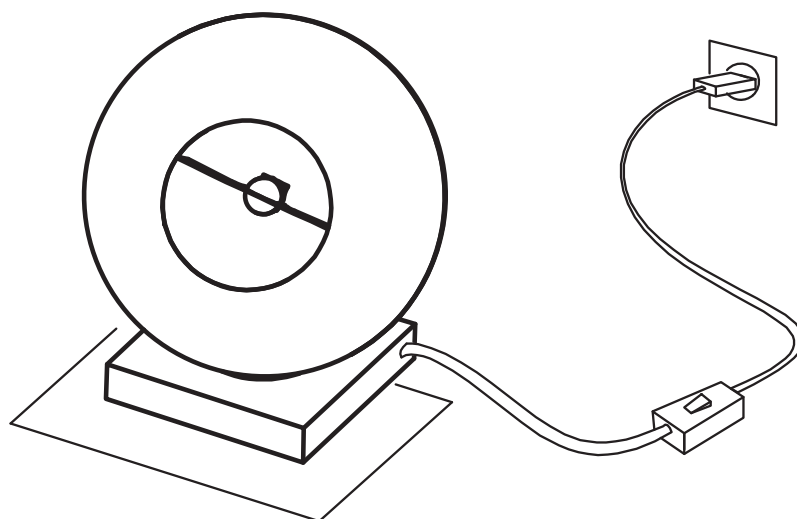


Metal



# ASSEMBLY DOCTOR 12-25 TABLE

design co twee for dark



## LIGHT SOURCE

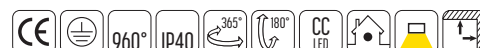
Touching the LED can result in permanent damage of the light source.  
The light source contained in this luminaire shall only be replaced by the manufacturer or his service agent or a similar qualified person.  
Always be properly grounded when touching leads or circuitry inside the luminaire.

!!! Never connect the fixture on 220-240V ac without driver.  
Lighting fixture is constant current driven.  
For drivers purchase, contact your sales contact.  
Always connect constant current leds in serial connection.

Check catalogue P 488-489 (Installation of LED)

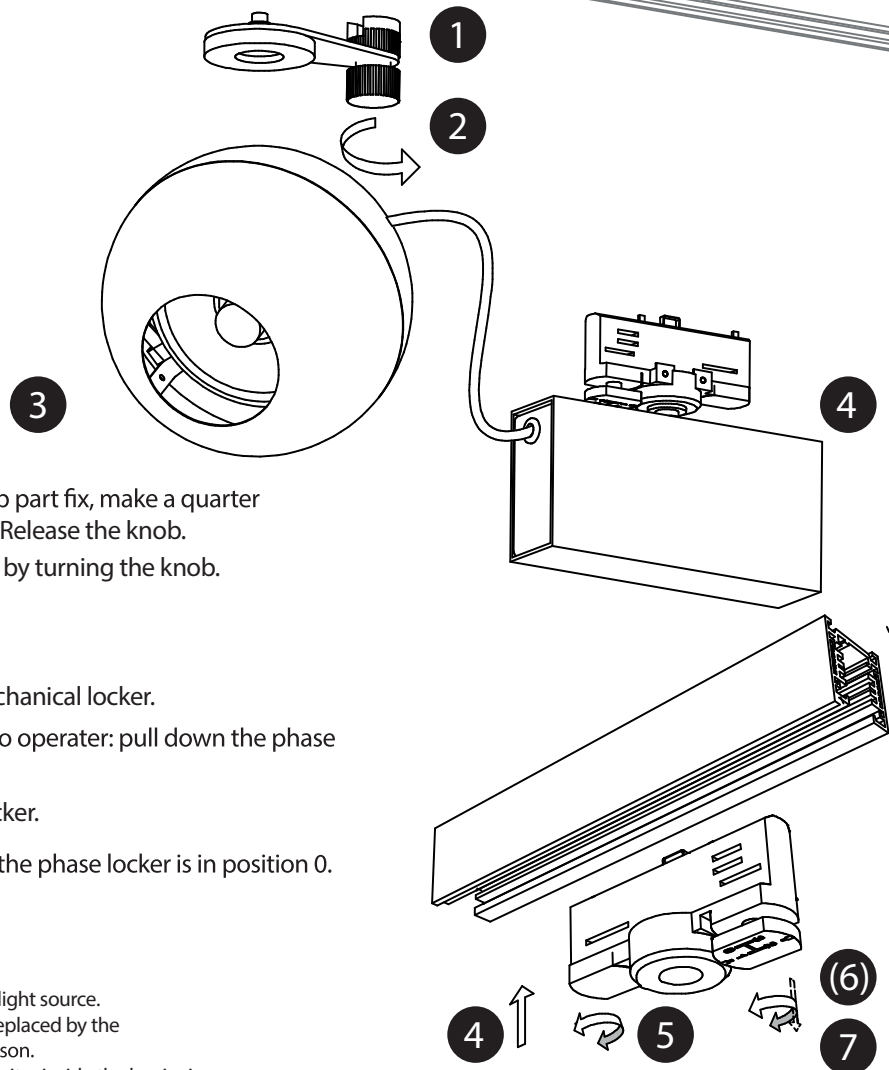
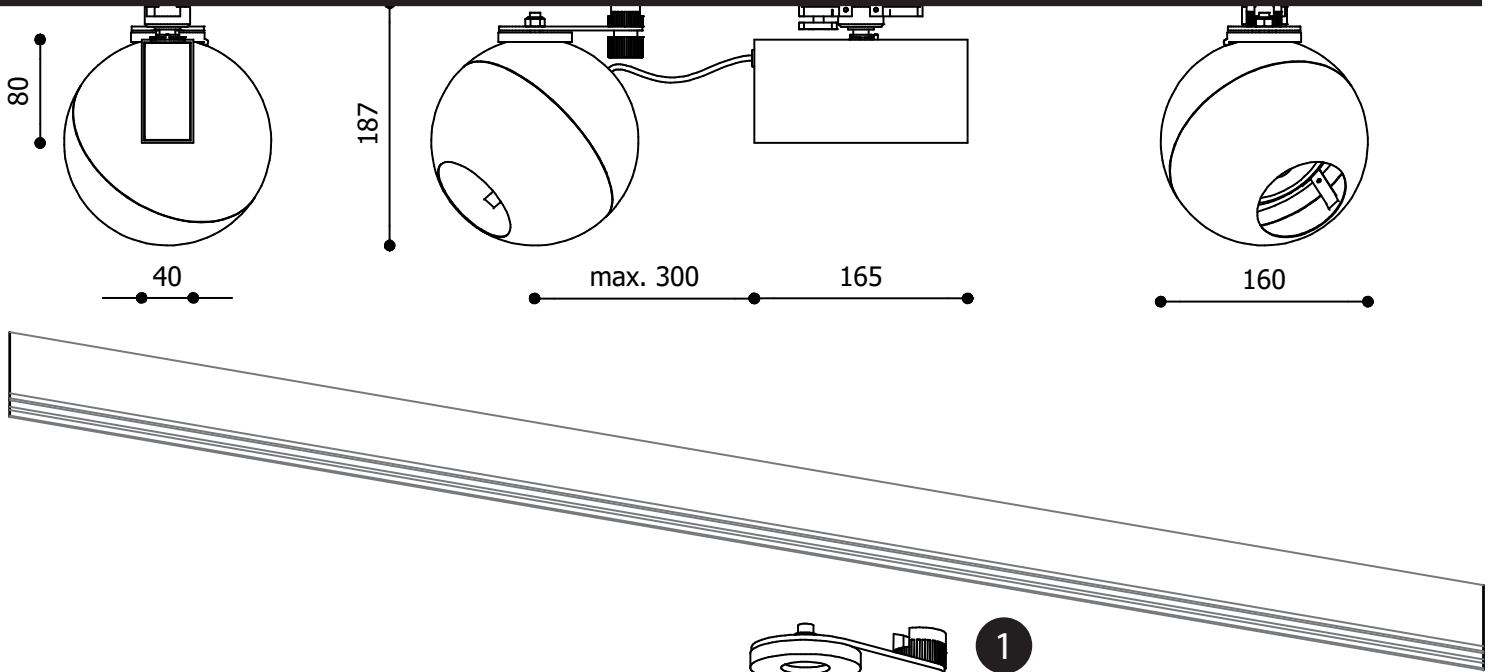
- 1 Place the luminary on a stable surface.
- 2 Insert a lamp in the fixture. Respect the wattage.
- 3 To (re) place the lamp, remove the frontpart of the sphere.
- 4 Use the springs to fixate the lamps.
- 5 Turn the frontpart of the sphere back onto the fixture.
- 6 Plug in and switch on.

Metal



# ASSEMBLY DOCTOR 12-25 TRACK 1 LED\*

design co twee for dark



- 1 Mechanical mounting adapter: keep the top part fix, make a quarter turn, hold, insert the mechanism in the rail. Release the knob.
- 2 Tighten the mechanical mounting adapter by turning the knob.
- 3 Place the lamp unit on the magnet.
- 4 Insert the track adapter in the rail.
- 5 Fixate the track adapter by turning the mechanical locker.
- 6 Depending on wich circuit the fixture has to operater: pull down the phase locker.
- 7 Choose the circuit by turning the phase locker.

**Remark:** the fixture can only be unlocked when the phase locker is in position 0.

\*Please apply the LED Validation & conditions

## LIGHT SOURCE

Touching the LED can result in permanent damage of the light source.  
The light source contained in this luminaire shall only be replaced by the manufacturer or his service agent or a similar qualified person.  
Always be properly grounded when touching leads or circuitry inside the luminaire.

!!! Never connect the fixture on 220-240V ac without driver.  
Lighting fixture is constant current driven.  
For drivers purchase, contact your sales contact.  
Always connect constant current leds in serial connection.

@700mA = +-1300Lm = 11.7W  
@500mA = +-1000Lm = 10.9W

Metal



Check catalogue P 488-489 (Installation of LED)

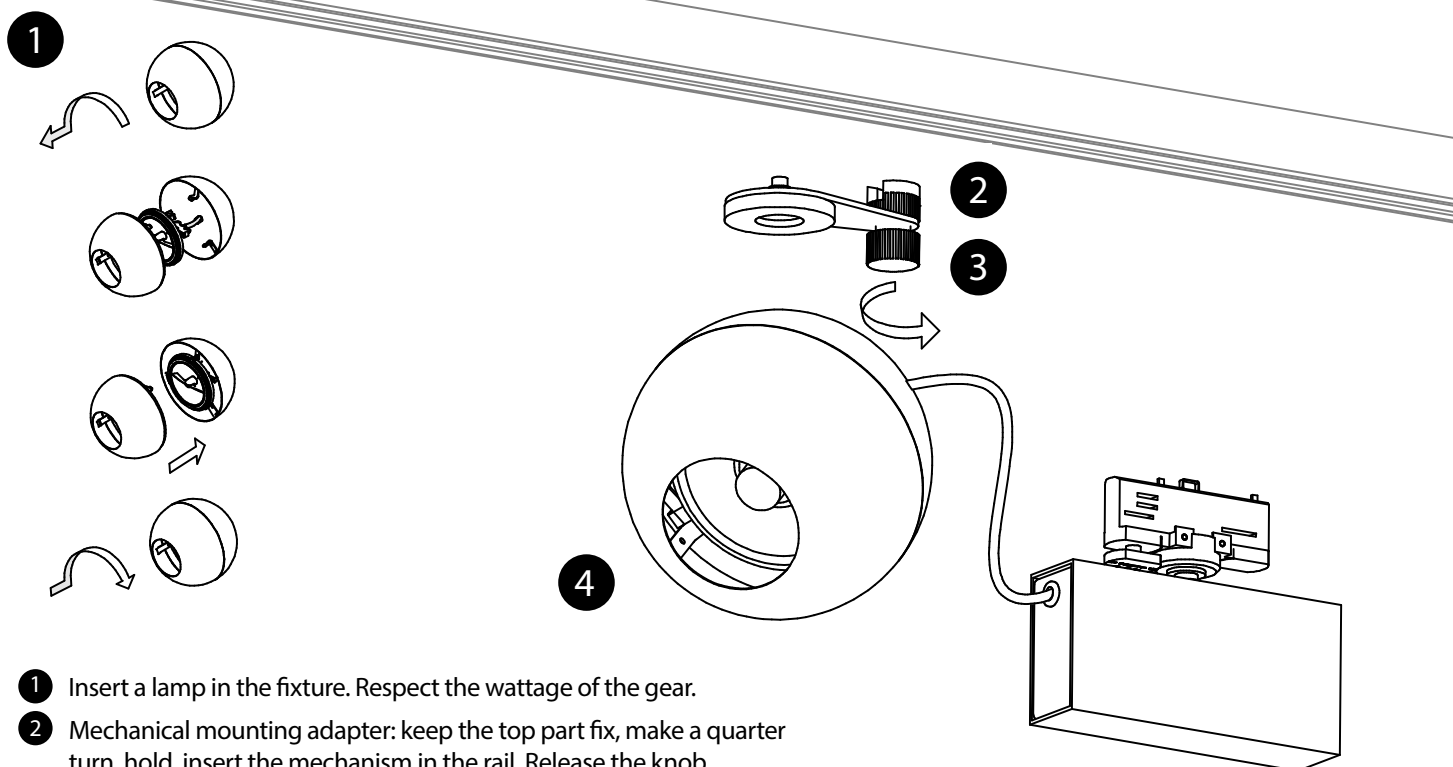
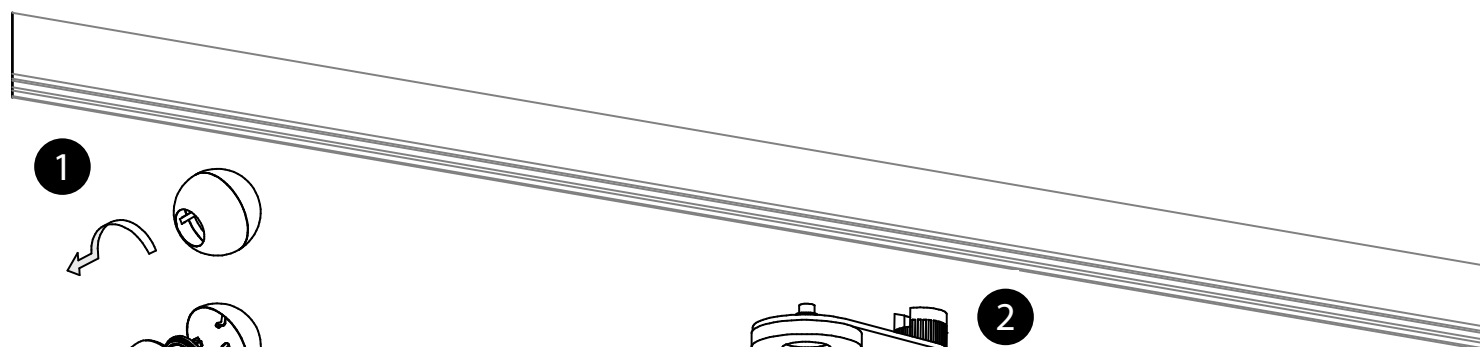
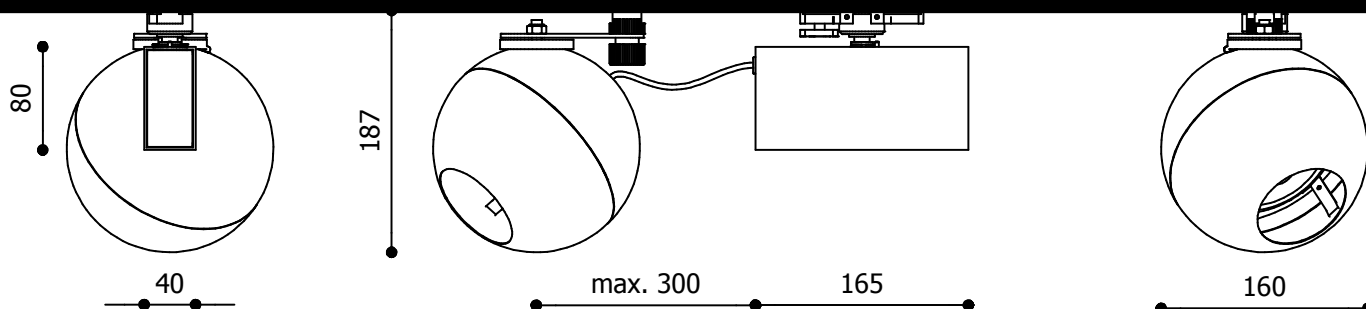
# DARK®

© DARK 2021 / DARK has the right to change any technical data, dimensions, colors and characteristics without prior notice. All rights reserved.  
Please always check the latest technical data sheet on [www.dark.be](http://www.dark.be).

DARK at night nv  
Vliegplein 43 / 9991 Maldegem / Belgium  
+32 50 71 81 40 / [info@dark.be](mailto:info@dark.be) / [www.dark.be](http://www.dark.be)

# ASSEMBLY DOCTOR 12-25 TRACK 1

design co twee for dark



- 1 Insert a lamp in the fixture. Respect the wattage of the gear.
- 2 Mechanical mounting adapter: keep the top part fix, make a quarter turn, hold, insert the mechanism in the rail. Release the knob.
- 3 Tighten the mechanical mounting adapter by turning the knob.
- 4 Place the lamp unit on the magnet.
- 5 Insert the track adapter in the rail.
- 6 Fixate the track adapter by turning the mechanical locker.
- 7 Depending on wich circuit the fixture has to operator: pull down the phase locker.
- 8 Choose the circuit by turning the phase locker.

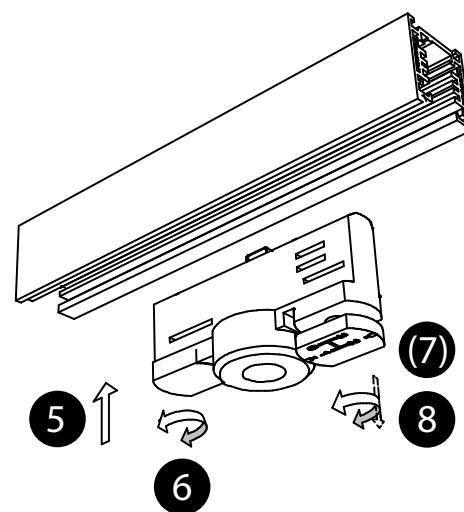
**Remark:** the fixture can only be unlocked when the phase locker is in position 0.

## LIGHT SOURCE

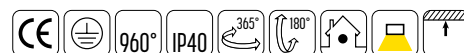
Touching the LED can result in permanent damage of the light source.  
The light source contained in this luminaire shall only be replaced by the manufacturer or his service agent or a similar qualified person.  
Always be properly grounded when touching leads or circuitry inside the luminaire.

!!! Never connect the fixture on 220-240V ac without driver.  
Lighting fixture is constant current driven.  
For drivers purchase, contact your sales contact.  
Always connect constant current leds in serial connection.

Check catalogue P 488-489 (Installation of LED)

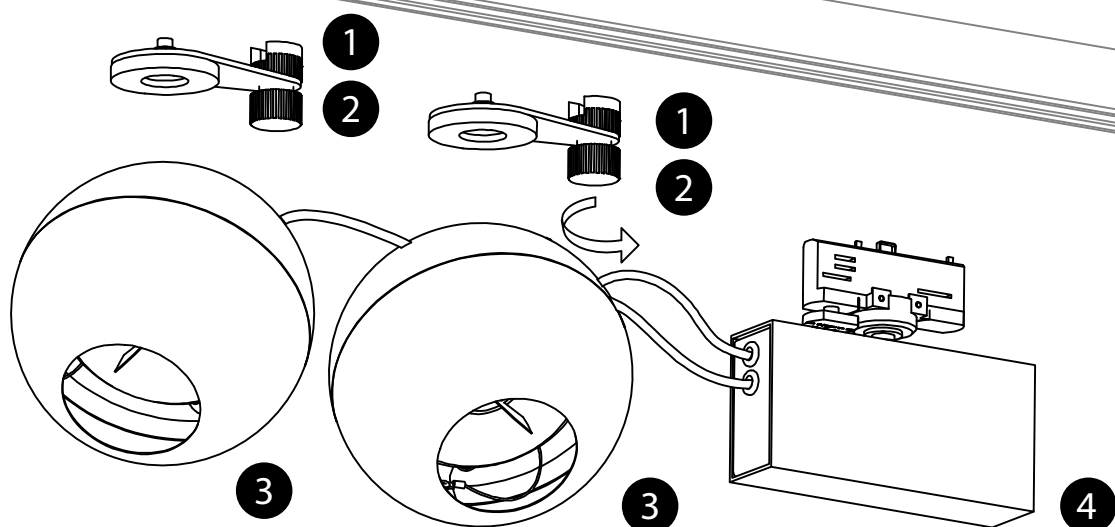
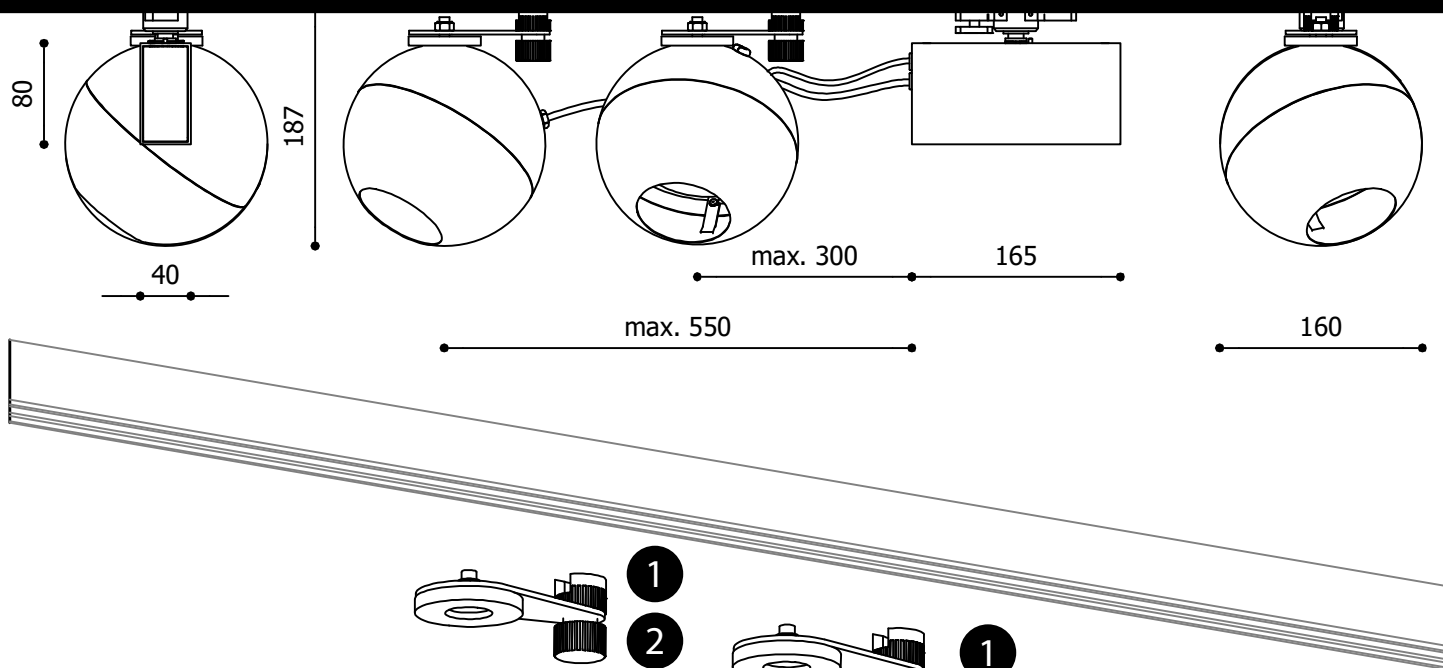


Metal



# ASSEMBLY DOCTOR 12-25 TRACK 2 LED\*

design co twee for dark



- ① Mechanical mounting adapter: keep the top part fix, make a quarter turn, hold, insert the mechanism in the rail. Release the knob. (2x)
- ② Tighten the mechanical mounting adapter by turning the knob. (2x)
- ③ Place the lamp unit on the magnet. (2x)
- ④ Insert the track adapter in the rail.
- ⑤ Fixate the track adapter by turning the mechanical locker.
- ⑥ Depending on wich circuit the fixture has to operator: pull down the phase locker.
- ⑦ Choose the circuit by turning the phase locker.

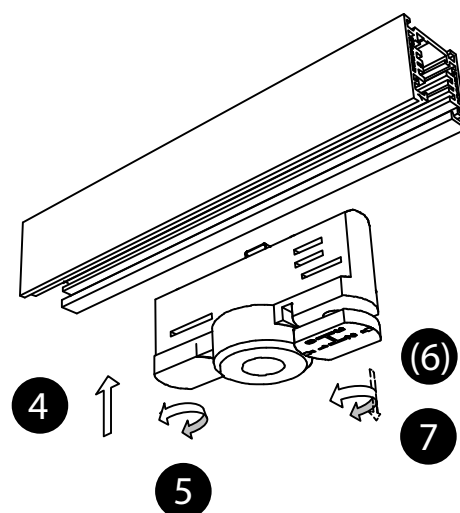
**Remark:** the fixture can only be unlocked when the phase locker is in position 0.

\*Please apply the LED Validation & conditions

## LIGHT SOURCE

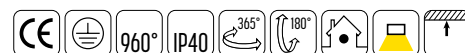
Touching the LED can result in permanent damage of the light source.  
The light source contained in this luminaire shall only be replaced by the manufacturer or his service agent or a similar qualified person.  
Always be properly grounded when touching leads or circuitry inside the luminaire.

!!! Never connect the fixture on 220-240V ac without driver.  
Lighting fixture is constant current driven.  
For drivers purchase, contact your sales contact.  
Always connect constant current leds in serial connection.



@700mA = +1300Lm = 11.7W  
@500mA = +1000Lm = 10.9W

Metal



Check catalogue P 488-489 (Installation of LED)

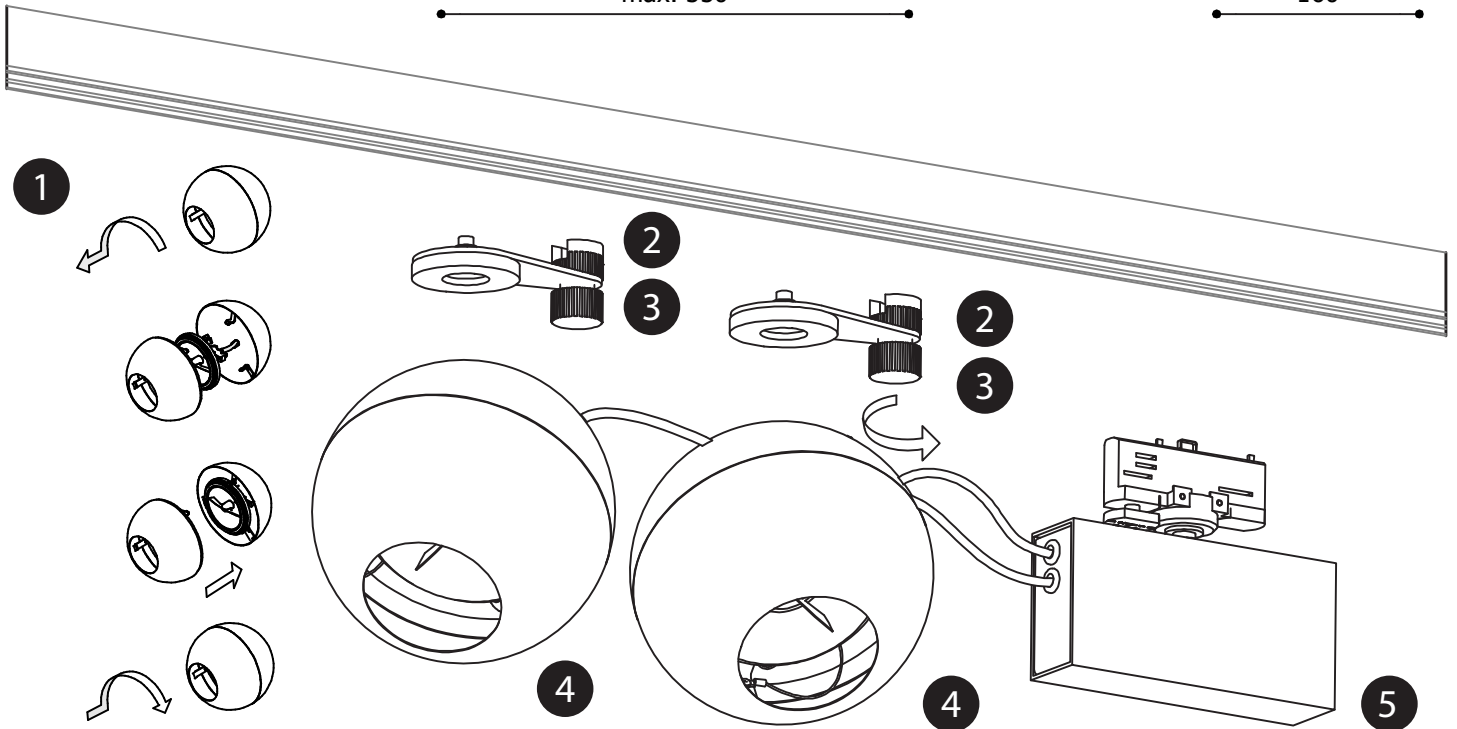
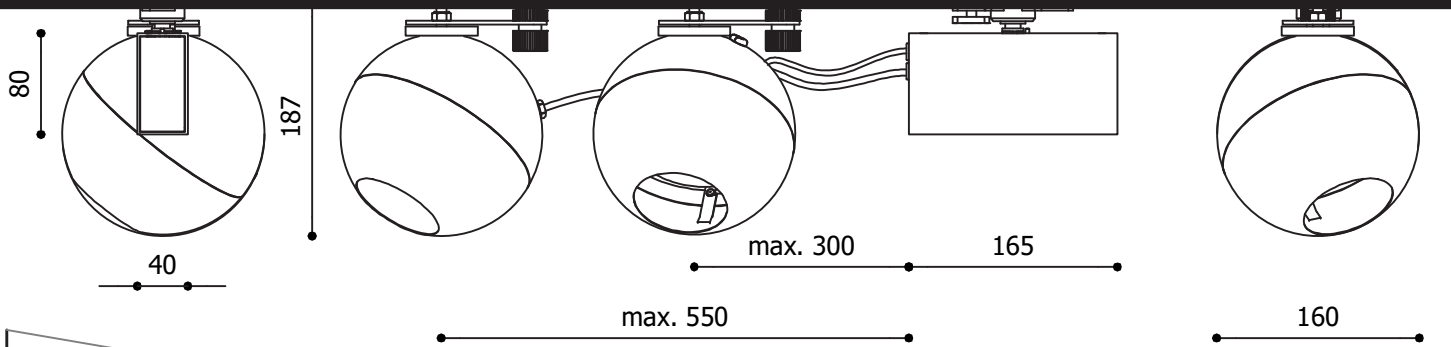
# DARK®

© DARK 2021 / DARK has the right to change any technical data, dimensions, colors and characteristics without prior notice. All rights reserved.  
Please always check the latest technical data sheet on [www.dark.be](http://www.dark.be).

DARK at night nv  
Vliegplein 43 / 9991 Maldegem / Belgium  
+32 50 71 81 40 / [info@dark.be](mailto:info@dark.be) / [www.dark.be](http://www.dark.be)

# ASSEMBLY DOCTOR 12-25 TRACK 2

design co twee for dark



- 1 Insert a lamp in the fixture. Respect the wattage of the gear.
- 2 Mechanical mounting adapter: keep the top part fix, make a quarter turn, hold, insert the mechanism in the rail. Release the knob.
- 3 Tighten the mechanical mounting adapter by turning the knob.
- 4 Place the lamp unit on the magnet.
- 5 Insert the track adapter in the rail.
- 6 Fixate the track adapter by turning the mechanical locker.
- 7 Depending on wich circuit the fixture has to operator: pull down the phase locker.
- 8 Choose the circuit by turning the phase locker.

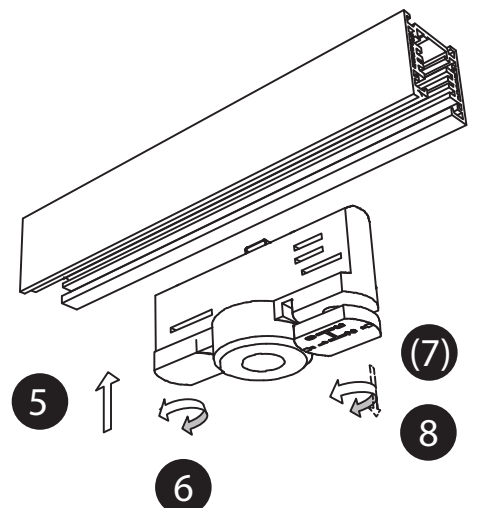
**Remark:** the fixture can only be unlocked when the phase locker is in position 0.

## LIGHT SOURCE

Touching the LED can result in permanent damage of the light source.  
The light source contained in this luminaire shall only be replaced by the manufacturer or his service agent or a similar qualified person.  
Always be properly grounded when touching leads or circuitry inside the luminaire.

!!! Never connect the fixture on 220-240V ac without driver.  
Lighting fixture is constant current driven.  
For drivers purchase, contact your sales contact.  
Always connect constant current leds in serial connection.

Check catalogue P 488-489 (Installation of LED)

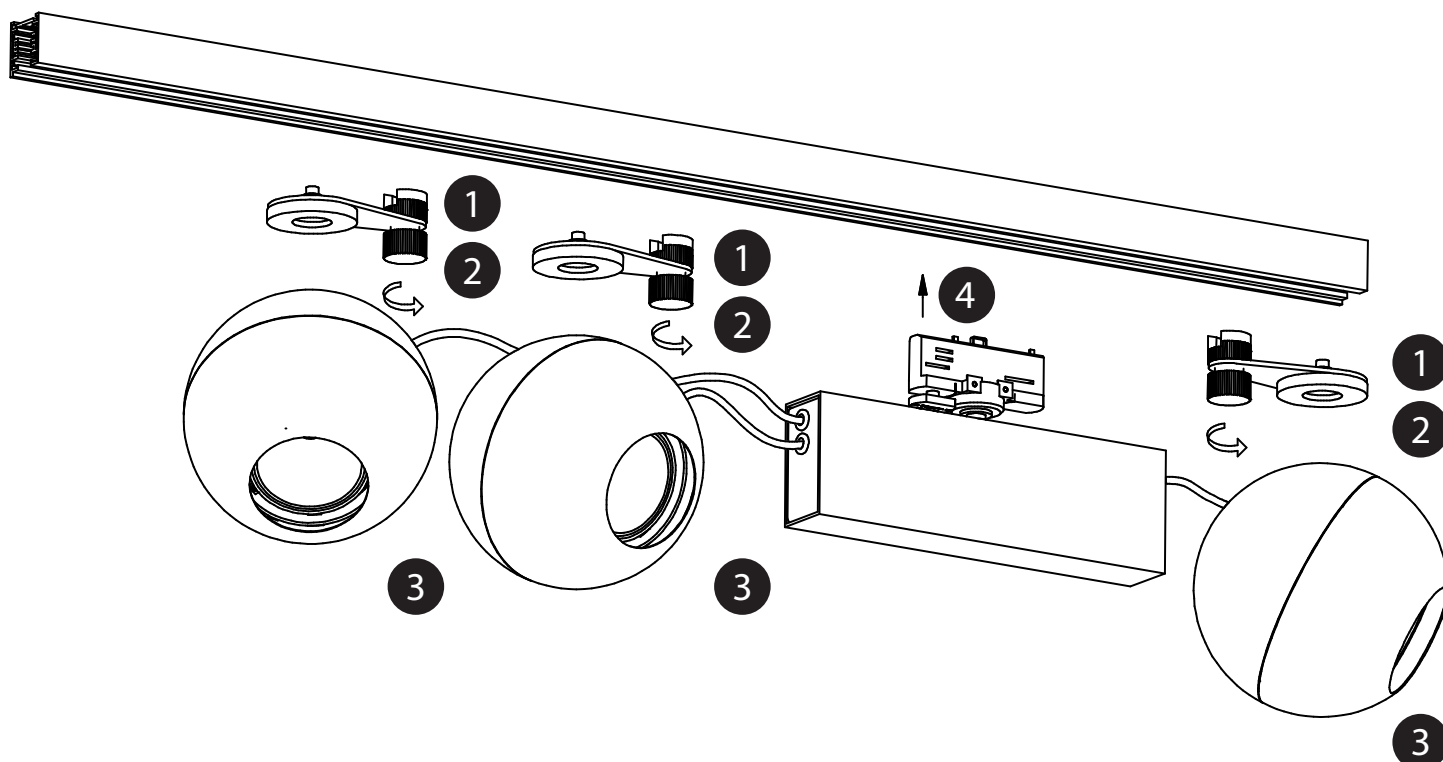
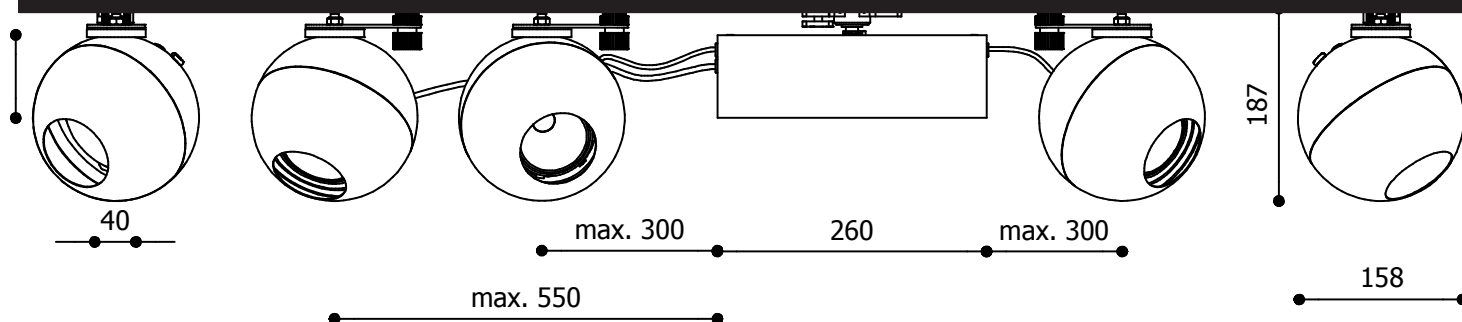


Metal



# ASSEMBLY DOCTOR 12-25 TRACK 3 LED\*

design co twee for dark



- ① Mechanical mounting adapter: keep the top part fix, make a quarter turn, hold, insert the mechanism in the rail. Release the knob. (3x)
- ② Tighten the mechanical mounting adapter by turning the knob. (3x)
- ③ Place the lamp unit on the magnet. (3x)
- ④ Insert the track adapter in the rail.
- ⑤ Fixate the track adapter by turning the mechanical locker.
- ⑥ Depending on wich circuit the fixture has to operator: pull down the phase locker.
- ⑦ Choose the circuit by turning the phase locker.

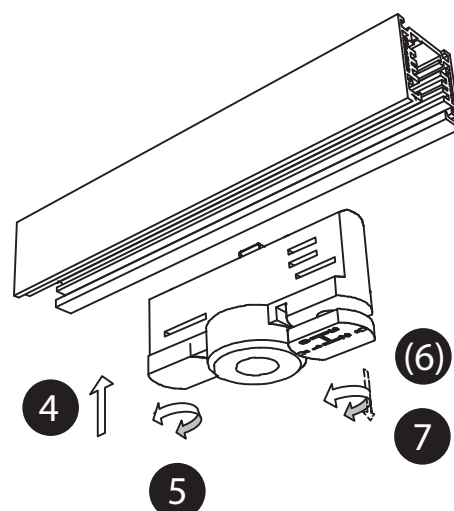
**Remark:** the fixture can only be unlocked when the phase locker is in position 0.

\*Please apply the LED Validation & conditions

## LIGHT SOURCE

Touching the LED can result in permanent damage of the light source.  
The light source contained in this luminaire shall only be replaced by the manufacturer or his service agent or a similar qualified person.  
Always be properly grounded when touching leads or circuitry inside the luminaire.

!!! Never connect the fixture on 220-240V ac without driver.  
Lighting fixture is constant current driven.  
For drivers purchase, contact your sales contact.  
Always connect constant current leds in serial connection.



@700mA = +1300Lm = 11.7W  
@500mA = +1000Lm = 10.9W

Metal



Check catalogue P 488-489 (Installation of LED)

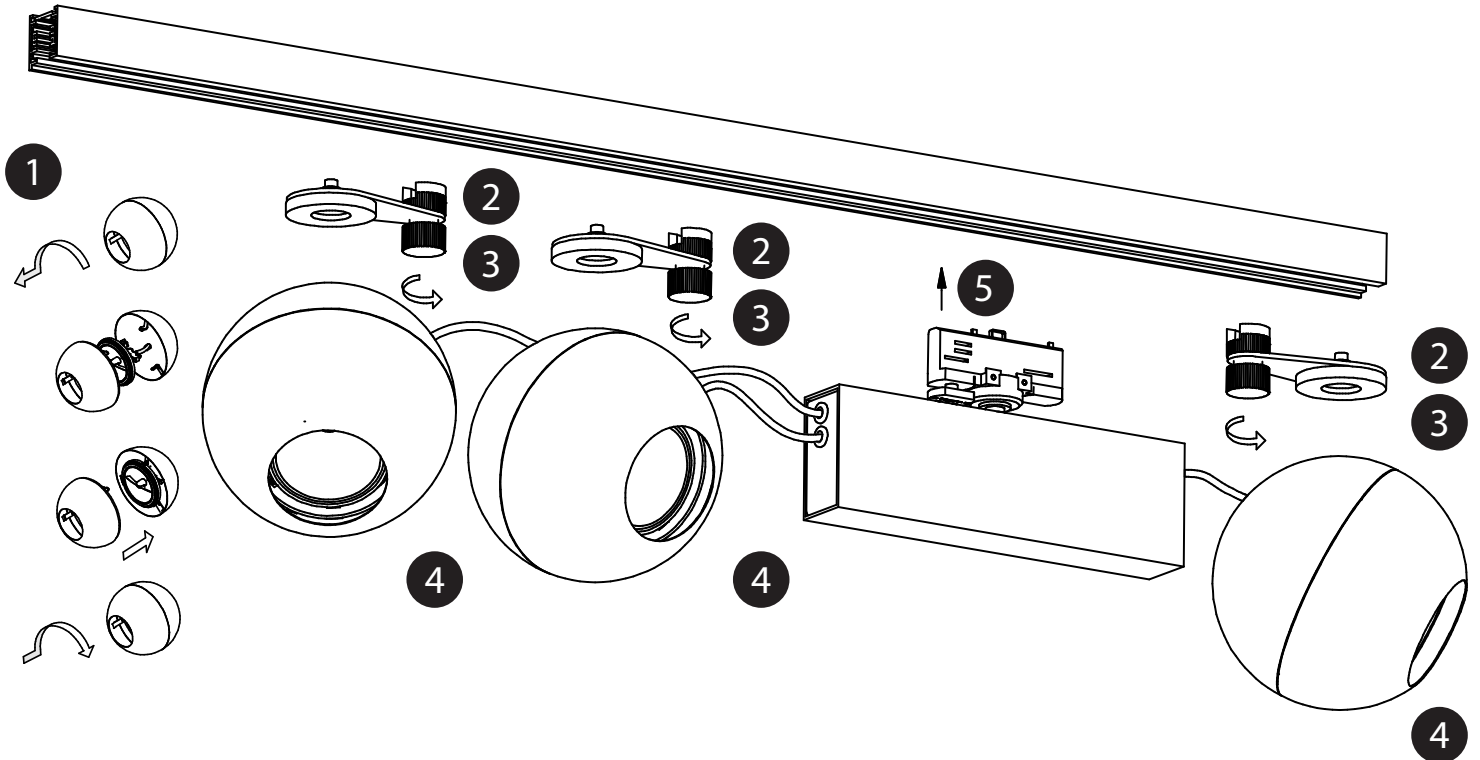
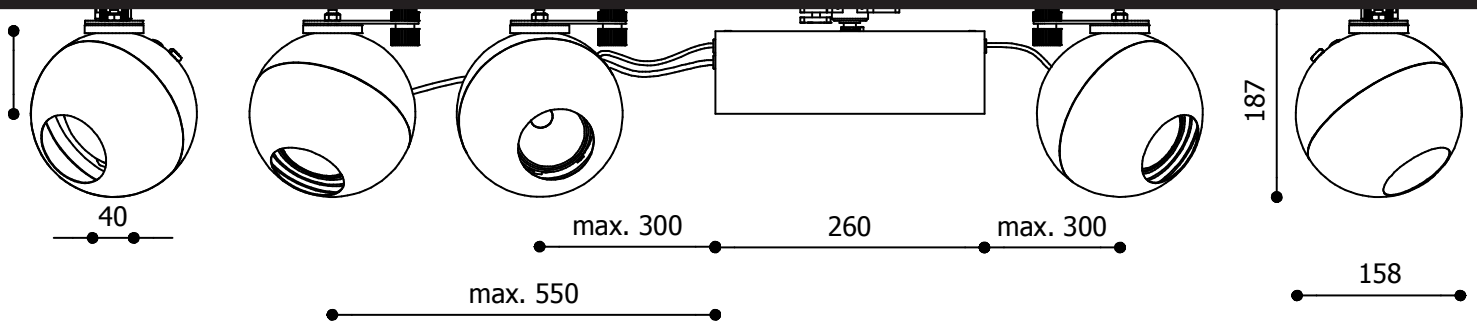
# DARK®

© DARK 2021 / DARK has the right to change any technical data, dimensions, colors and characteristics without prior notice. All rights reserved.  
Please always check the latest technical data sheet on [www.dark.be](http://www.dark.be).

DARK at night nv  
Vliegplein 43 / 9991 Maldegem / Belgium  
+32 50 71 81 40 / [info@dark.be](mailto:info@dark.be) / [www.dark.be](http://www.dark.be)

# ASSEMBLY DOCTOR 12-25 TRACK 3

design co twee for dark



- 1 Insert a lamp in the fixture. Respect the wattage of the gear. (3x)
- 2 Mechanical mounting adapter: keep the top part fix, make a quarter turn, hold, insert the mechanism in the rail. Release the knob. (3x)
- 3 Tighten the mechanical mounting adapter by turning the knob. (3x)
- 4 Place the lamp unit on the magnet. (3x)
- 5 Insert the track adapter in the rail.
- 6 Fixate the track adapter by turning the mechanical locker.
- 7 Depending on wich circuit the fixture has to operater: pull down the phase locker.
- 8 Choose the circuit by turning the phase locker.

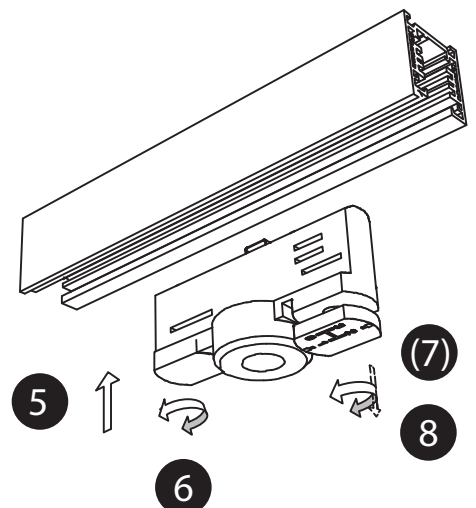
**Remark:** the fixture can only be unlocked when the phase locker is in position 0.

## LIGHT SOURCE

Touching the LED can result in permanent damage of the light source.  
The light source contained in this luminaire shall only be replaced by the manufacturer or his service agent or a similar qualified person.  
Always be properly grounded when touching leads or circuitry inside the luminaire.

!!! Never connect the fixture on 220-240V ac without driver.  
Lighting fixture is constant current driven.  
For drivers purchase, contact your sales contact.  
Always connect constant current leds in serial connection.

Check catalogue P 488-489 (Installation of LED)



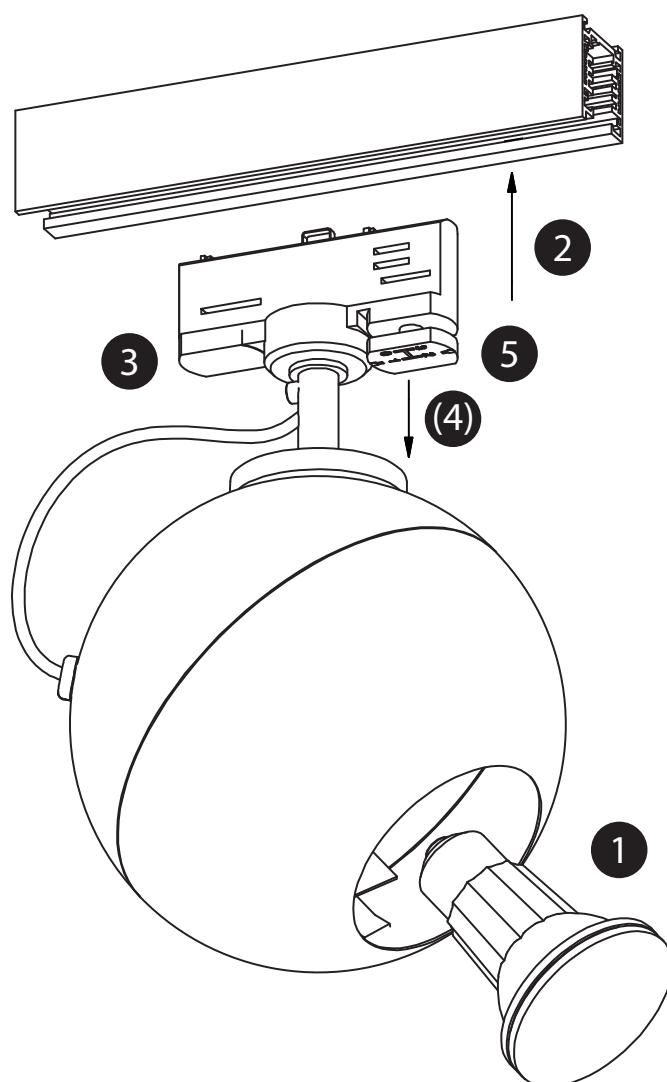
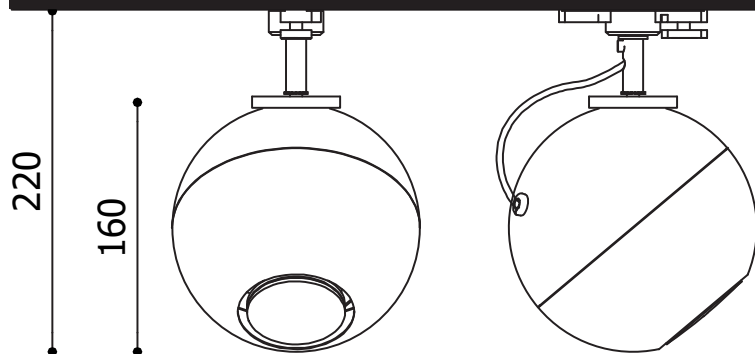
Metal





# ASSEMBLY DOCTOR 12-25 TRACK 10

design co twee for dark



- 1 Insert a lamp in the fixture.  
Respect the wattage of the gear.
- 2 Insert the fixture in the trackrail.
- 3 Fixate the fixture by turning the mechanical locker of the track adaptor.
- (4) Depending on which circuit the fixture has to operate on: pull down the phase locker.
- 5 Choose the circuit by turning the phase locker.

**Remark:** the fixture can only be unlocked when the phase locker is in position 0.

## LIGHT SOURCE

Touching the LED can result in permanent damage of the light source.  
The light source contained in this luminaire shall only be replaced by the manufacturer or his service agent or a similar qualified person.  
Always be properly grounded when touching leads or circuitry inside the luminaire.

!!! Never connect the fixture on 220-240V ac without driver.  
Lighting fixture is constant current driven.  
For drivers purchase, contact your sales contact.  
Always connect constant current leds in serial connection.

Check catalogue P 488-489 (Installation of LED)

Metal



## NEDERLANDS

### ALGEMENE GEBRUIKSVORWAARDEN

- Het toestel dient geplaatst, aangesloten en uitgetest te worden door een erkend installateur en volgens de plaatselijk geldende reglementering.
- De klant wordt verondersteld onze algemene verkoopvoorwaarden te kennen.
- De lampen dienen steeds met zorg te worden geïnstalleerd of vervangen.
- Overschrijdt nooit de maximum aangeduide wattage op het toestel.
- Voor installatie of onderhoud van het toestel de voedingsspanning afsluiten.
- Bij lampvervanging het toestel afzetten en volledig laten afkoelen.
- Het toestel kan worden onderhouden met een zachte doek en eventueel een standaard pH-neutraal detergent. Voor goederen met een inox oppervlak moet dit op geregelde tijdstippen gebeuren. Het toestel moet hiervoor worden afgezet en volledig afgekoeld.
- Elk verkeerd gebruik of aanpassing van het toestel maakt de garantie nietig. Kinderen moeten buiten het bereik van de toestellen worden gehouden, aangezien de temperatuur van het toesteloppervlak hoog kan oplopen.
- De toestellen mogen nooit worden bedekt zoals bijvoorbeeld met een isolerend materiaal of iets dergelijks.

ER KUNNEN WIJZIGINGEN OPTREDEN QUA ONTWERP, SPECIFICATIES EN MONTAGE-INSTRUCTIES.

## DEUTSCH

### ALLGEMEINE GEBRAUCHSBEDINGUNGEN

- Das Gerät soll von einem anerkannten Installateur und den örtlich geltenden Satzungen gemäß aufgestellt, angeschlossen und getestet werden.
- Der Kunde soll unsere allgemeinen Verkaufsbedingungen kennen.
- Die Lampen sollen immer sorgfältig installiert oder ersetzt werden.
- Sie sollen die angegebene maximale Wattleistung, die auf dem Gerät angegeben ist, nie überschreiten.
- Für die Installation oder die Wartung des Geräts sollen Sie die Spannung abschließen.
- Wenn Sie Lampen ersetzen, sollen Sie das Gerät ausschalten und völlig abkühlen lassen.
- Für die Wartung des Geräts benutzen Sie ein weiches Tuch und eventuell ein reguläres pH - neutrales Reinigungsmittel. Für Güter mit einer Oberfläche aus Edelstahl soll dies regelmäßig gemacht werden. Dafür soll das Gerät ausgeschaltet und völlig abgekühlt werden.
- Jede falsche Benutzung oder Anpassung des Geräts macht die Garantie ungültig.
- Diese Geräte sollen außer Reichweite von Kindern gehalten werden, da die Temperatur der Oberfläche des Geräts stark ansteigen kann.
- Die Geräte dürfen nie mit zum Beispiel einem isolierendem Material oder etwas Ähnlichem bedeckt werden.

ÄNDERUNGEN IM ENTWURF, IN SPEZIFIZIERUNGEN UND MONTAGEANWEISUNGEN SIND MÖGLICH.

## ESPAÑOL

### CONDICIONES GENERALES DE USO

- El aparato tiene que ser colocado, conectado y probado por un técnico reconocido, respetando el reglamento local vigente.
- Se supone que el cliente conoce nuestras condiciones generales de venta.
- Las lámparas siempre tienen que ser instaladas o reemplazadas con cuidado.
- No se puede nunca sobrepasar el vataje máximo que está indicado en el aparato.
- Corte la alimentación eléctrica antes de instalar o mantener el aparato.
- Desconecte el aparato y déjelo enfriar completamente antes de reemplazar las lámparas.
- Para el mantenimiento del aparato se puede utilizar un paño suave o, eventualmente, un detergente estándar de pH-neutro. Cuando se trata de aparatos con una superficie de acero inoxidable, el mantenimiento tiene que ser efectuado con regularidad. Para la limpieza hay que desconectar y dejar enfriar el aparato completamente.
- Todo uso impropio o toda adaptación impropia del aparato implica la anulación de la garantía.
- Como el aparato puede alcanzar temperaturas considerables, los aparatos deben mantenerse fuera del alcance de los niños.
- No se puede cubrir nunca los aparatos con, por ejemplo, algún tipo de material aislante.

SON POSIBLES LAS MODIFICACIONES EN CUANTO AL DISEÑO, LAS ESPECIFICACIONES Y LAS INSTRUCCIONES DE MONTAJE.

## FRANCAIS

### CONDITIONS GÉNÉRALES D'UTILISATION

- L'appareil doit être placé, raccordé et testé par un installateur agréé et selon les réglementations locales en vigueur.
- Le client est censé connaître nos conditions générales de vente.
- Les lampes doivent en tout temps être installées ou remplacées avec soin.
- Ne jamais excéder le wattage maximum indiqué sur l'appareil.
- Déconnecter la tension d'alimentation de l'appareil avant installation ou entretien.
- Déconnecter l'appareil et le laisser refroidir entièrement avant de remplacer une lampe.
- L'appareil s'entretient à l'aide d'un chiffon doux et, éventuellement, d'un détergent au PH neutre. Pour les appareils à surface en inox, cet entretien doit s'effectuer à des intervalles réguliers. A cet effet, déconnecter l'appareil et le laisser refroidir entièrement.
- Toute utilisation erronée ou adaptation de l'appareil annule la garantie.
- Ne pas laisser les appareils à portée de main des enfants, étant donné que la température de la surface de l'appareil peut être élevée.
- Les appareils ne peuvent jamais être recouverts, comme par exemple d'un matériau isolant ou équivalent.

NOUS NOUS RÉSERVONS LE DROIT DE MODIFICATIONS AU NIVEAU CONCEPT, SPÉCIFICATIONS ET INSTRUCTIONS DE MONTAGE.

## ENGLISH

### GENERAL CONDITIONS FOR USE

- The appliance should be installed, connected and tested by a certified installer, and in accordance with the local regulations.
- The customer is supposed to know our general sales conditions.
- Lamps should always be installed or replaced with care.
- Never use a wattage higher than the maximum wattage mentioned on the appliance.
- Turn off the power supply before installation or maintenance of the appliance.
- When a lamp is to be replaced: switch off the appliance first and let it cool down completely.
- Clean the appliance with a soft cloth and a standard pH neutral detergent. Stainless steel surfaces should be maintained regularly. Therefore the appliance should be switched off and cooled down.
- Misuse of, or changes to the appliance shall nullify the guarantee.
- Keep children away from the appliances; the appliance's surface can be very hot.
- Never cover the appliances with e.g. insulating material.

THE MANUFACTURER IS FREE TO CHANGE THE DESIGN, SPECIFICATIONS AND INSTRUCTIONS FOR ASSEMBLY.

## ITALIANO

### CONDIZIONI GENERALI D'USO

- L'apparecchio deve essere installato, collegato e testato da un tecnico autorizzato, e secondo le regolazioni locali.
- Il cliente deve conoscere le nostre condizioni generali di vendita.
- Le lampadine devono sempre essere installate o sostituite con molta attenzione.
- Non usare mai una potenza in watt superiore a quella massima menzionata sull'apparecchio.
- dell'installazione o della manutenzione dell'apparecchio: interrompere l'alimentazione.
- Per sostituire una lampadina: disattivare l'apparecchio e lasciar raffreddare completamente.
- Mantenere l'apparecchio con un panno morbido, ed eventualmente imbevuto di un normale detergente con pH neutro. Le superfici inox devono essere mantenute con regolarità, perciò l'apparecchio deve essere disattivato e raffreddato completamente.
- Ogni uso dell'apparecchio non conforme alle istruzioni date e/o ogni modifica apportato ad esso, annulla la garanzia.
- Tener gli apparecchi fuori dalla portata di bambini, poiché la superficie dell'apparecchio può essere molto calda.
- Non coprire mai gli apparecchi: p.e. con un materiale isolante.

IL FABBRICANTE HA IL DIRITTO DI CAMBIARE IL PROGETTO, LE SPECIFICHE TECNICHE E LE ISTRUZIONI PER IL MONTAGGIO.