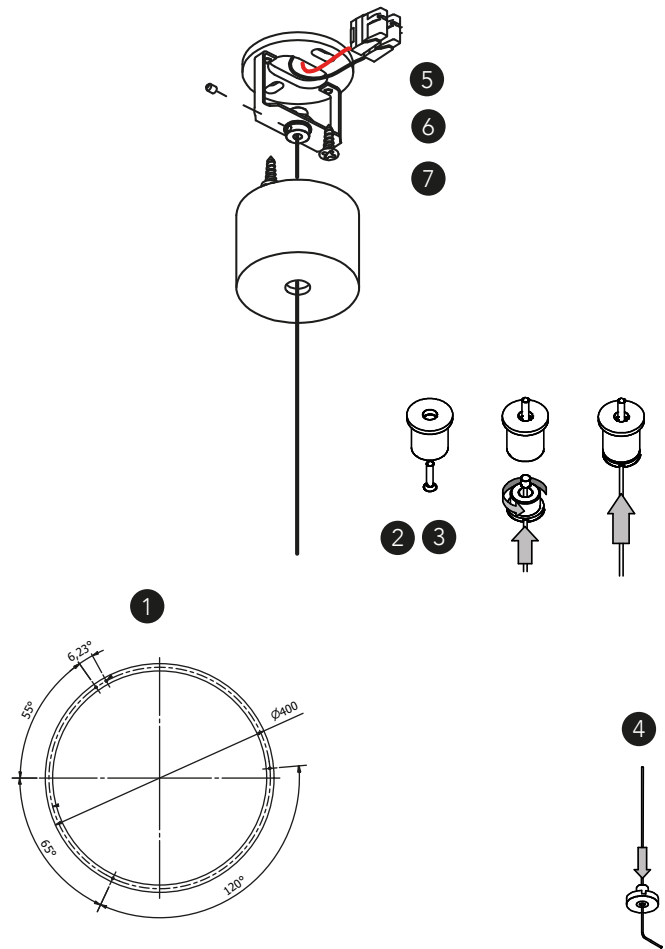
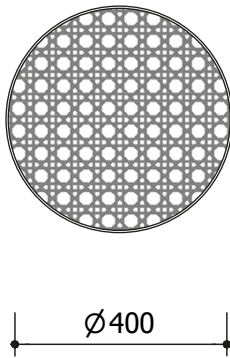
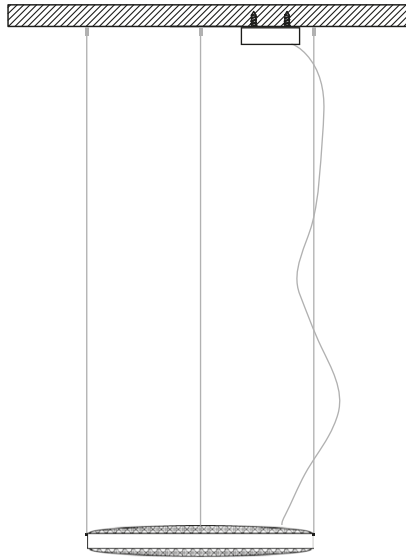


ASSEMBLY DOCTOR EMANUELLE 400 H

design dark studio for dark



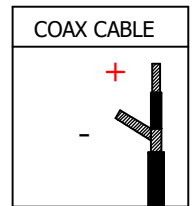
- 1 Make the hole pattern onto the ceiling according to the prescribed dimensions.
- 2 Screw the gripper bodies onto the ceiling.
- 3 Put in the cable and turn the top piece into the gripper body.
- 4 Lock the cables on the preferred height.
- 5 Mount the ceiling bracket with two screws onto the ceiling.
- 6 Adjust the fixture to the preferred height and fasten the strainrelief.
- 7 Connect the power supply and close the ceiling base.
- 8 Put on the power.

LIGHT SOURCE

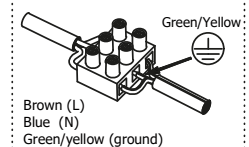
Touching the LED can result in permanent damage of the light source.

The light source contained in this luminaire shall only be replaced by the manufacturer or his service agent or a similar qualified person.

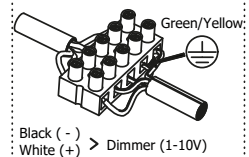
Always be properly grounded when touching leads or circuitry inside the luminaire.



CONNECTION Standard version



CONNECTION Dimmable version



Alu-PC



DARK®

© DARK 2021 / DARK has the right to change any technical data, dimensions, colors and characteristics without prior notice. All rights reserved.
Please always check the latest technical data sheet on www.dark.be.

DARK at night nv
Vliegplein 43 / 9991 Maldegem / Belgium
+32 50 71 81 40 / info@dark.be / www.dark.be