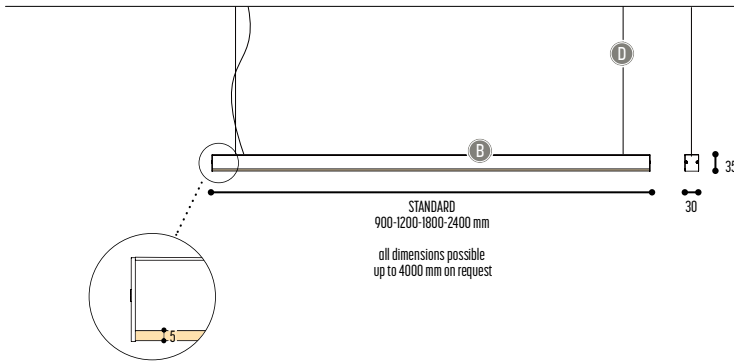
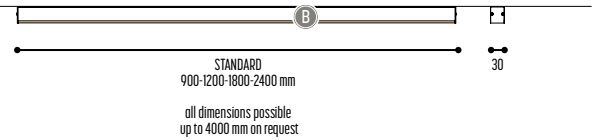


NINZA S
1796-BB-FFGH-DD-K-NN(N)



NINZA C
1797-BB-FFGH-K-NN(N)



| | | | |
|--|--------------|----------------------|------------------------------|
| BB | COLORS | 02 | Black |
| | | 03 | White |
| | | RAL color on request | |
| FF | LED | 09 | >80 CRI • 450 Lm/m / 9,6 W/m |
| | | 14 | >90 CRI • 2290 Lm/m / 14 W/m |
| | | 20 | >90 CRI • 3270 Lm/m / 20 W/m |
| G | DIFFUSER | P | Plexi |
| H | COLOR TEMP. | 2 | 2700 K |
| | | 3 | 3000 K |
| | | 4 | 4000 K |
| DD | SUSP. CABLE. | 01 | 1,5 m |
| | | 02 | 2,5 m |
| K | DRIVER | 0 | Non dimmable (extern) |
| | | 3 | Dali (extern) |
| | | 4 | Phase cut (extern) |
| NN(N) | LENGTH | 90 | 900 mm |
| | | 120 | 1200 mm |
| | | 180 | 1800 mm |
| | | 240 | 2400 mm |
| all dimensions possible up to 4000 mm on request | | | |

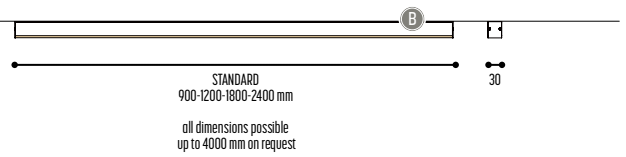
Alu-PC





NINZA

- IP65 1800-BB-FFGH-K-NN(N) SEALED-PLEXI
- IP67 1803-BB-FFGH-K-NN(N) SEALED



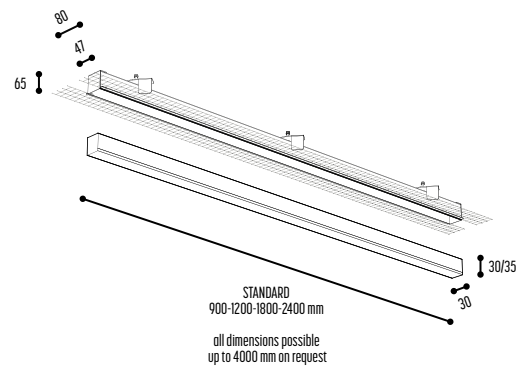
| | | | |
|-------|-------------|--|--------------------------------|
| BB | COLORS | 02 | Black |
| | | 03 | White |
| | | RAL color on request | |
| FF | LED | 09 | >80 CRI • 450 Lm/m / 9,6 W/m |
| | | 14 | >90 CRI • 700 Lm/m / 14,4 W/m |
| | | 28 | >90 CRI • 1450 Lm/m / 28,8 W/m |
| G | DIFFUSER | P | Plexi |
| H | COLOR TEMP. | 2 | 2700 K |
| | | 3 | 3000 K |
| | | 4 | 4000 K |
| K | DRIVER | 0 | Non dimmable (extern) |
| | | 2 | Dimmable 1-10 V (extern) |
| | | 3 | Dali (extern) |
| | | 4 | Phase cut (extern) |
| NN(N) | LENGTH | 90 | 900 mm |
| | | 120 | 1200 mm |
| | | 180 | 1800 mm |
| | | 240 | 2400 mm |
| | | all dimensions possible up to 4000 mm on request | |





NINZA RECESSED

IP65 1806-BB-FFGH-K-NN(N) SEALED+PLEXI
IP20 1807-BB-FFGH-K-NN(N)



| | | | |
|-------|-------------|--|--------------------------------|
| BB | COLORS | 02 | Black |
| | | 03 | White |
| FF | LED (IP65) | 09 | >80 CRI • 450 Lm/m / 9,6 W/m |
| | | 14 | >90 CRI • 700 Lm/m / 14,4 W/m |
| | | 28 | >90 CRI • 1450 Lm/m / 28,8 W/m |
| | LED (IP20) | 09 | >80 CRI • 450 Lm/m / 9,6 W/m |
| | | 14 | >90 CRI • 2290 Lm/m / 14 W/m |
| | | 20 | >90 CRI • 3270 Lm/m / 20 W/m |
| G | DIFFUSER | P | Plexi |
| H | COLOR TEMP. | 2 | 2700 K |
| | | 3 | 3000 K |
| | | 4 | 4000 K |
| K | DRIVER | 0 | Non dimmable (extern) |
| | | 3 | Dali (extern) |
| | | 4 | Phase cut (extern) |
| NN(N) | LENGTH | 90 | 900 mm |
| | | 120 | 1200 mm |
| | | 180 | 1800 mm |
| | | 240 | 2400 mm |
| | | all dimensions possible up to 4000 mm on request | |

Alu-PC

