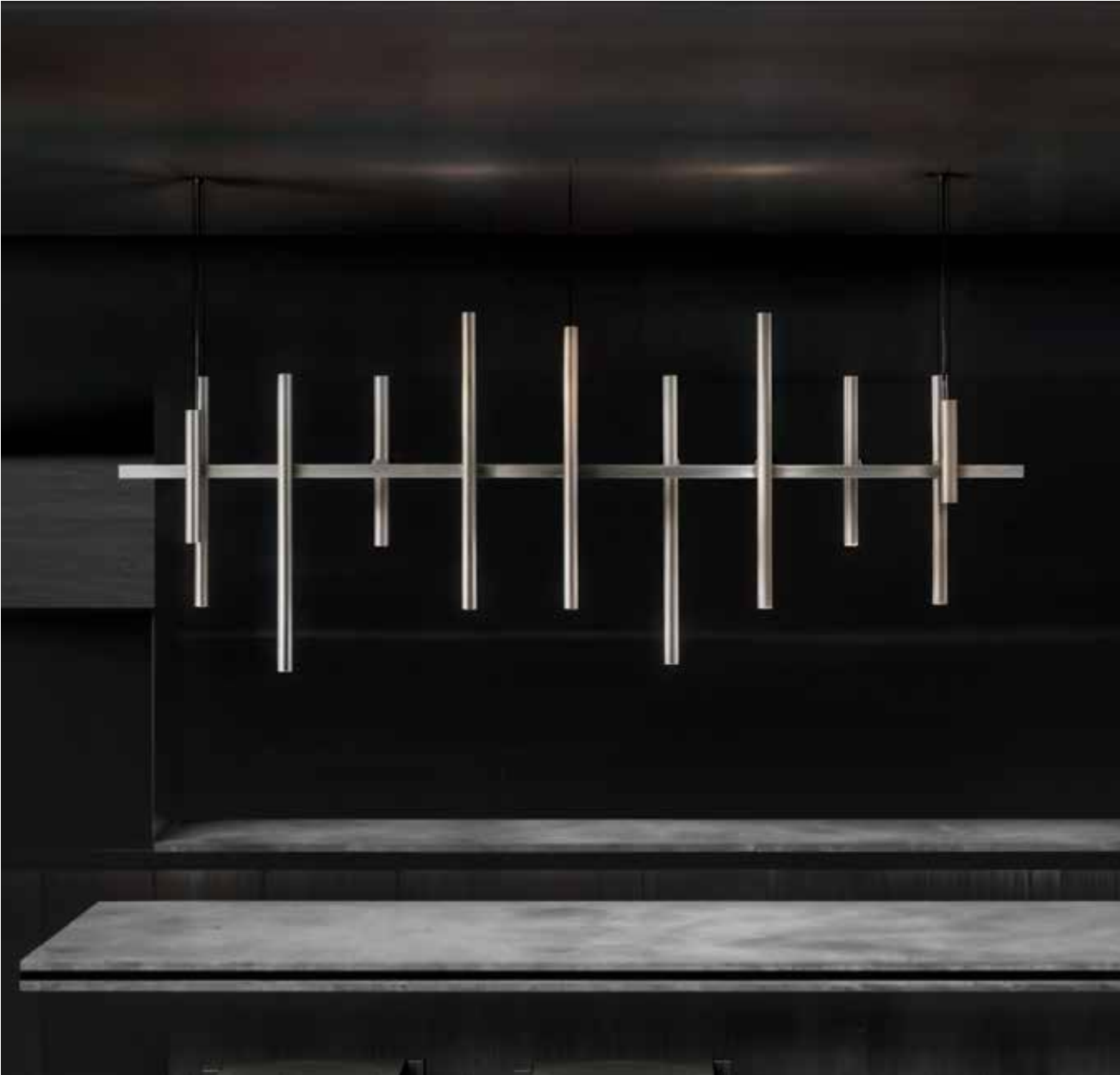
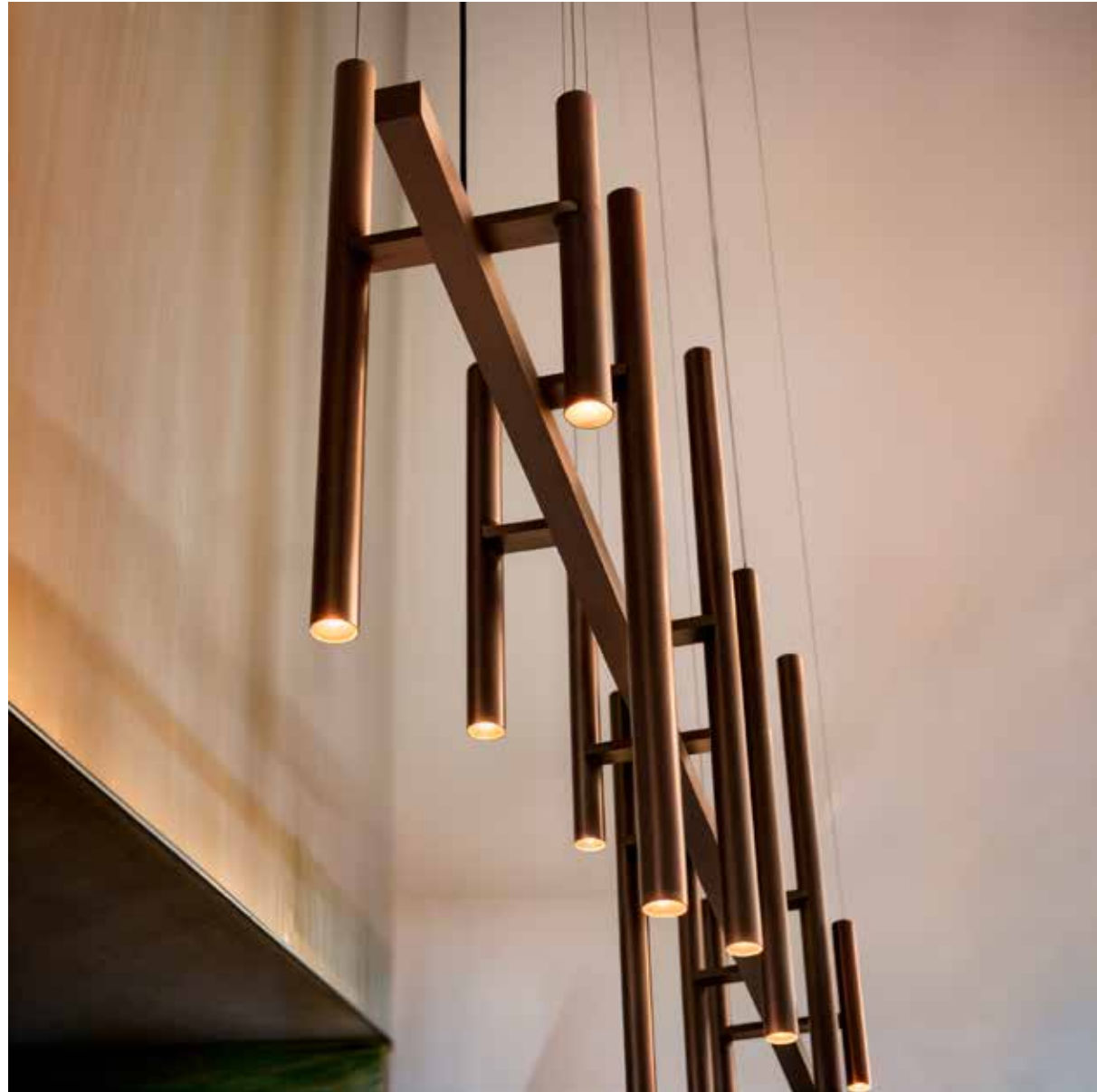


EQUALIZER

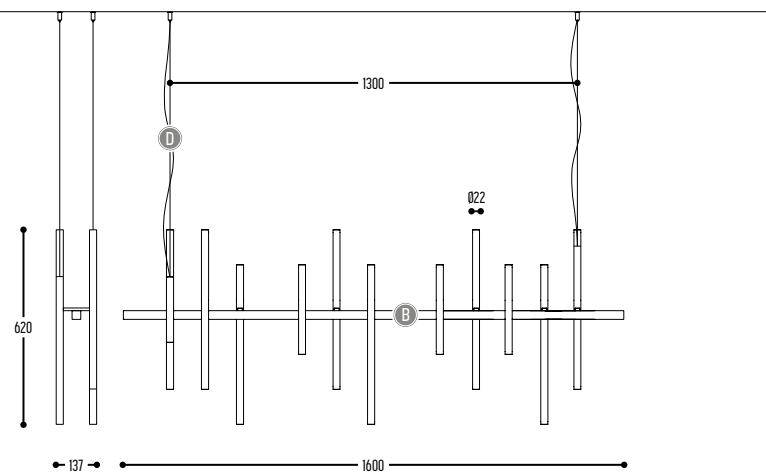
design bbrand







EQUALIZER 1600
3501-BB(B)-903H-DD-K-L-MM



BB(B)	COLORS	02	Black
		03	White
		10	Alu
		150	Bronze Light
		151	Bronze Dark

EFF	CRI • LUMENOUTPUT	903	>90 CRI • 350 Lm / 350 mA / 3,5 W
-----	-------------------	-----	-----------------------------------

H	COLOR TEMP.	2	2700 K
		3	3000 K

DD	SUSP. CABLE	01	1,5 m
		02	2,5 m

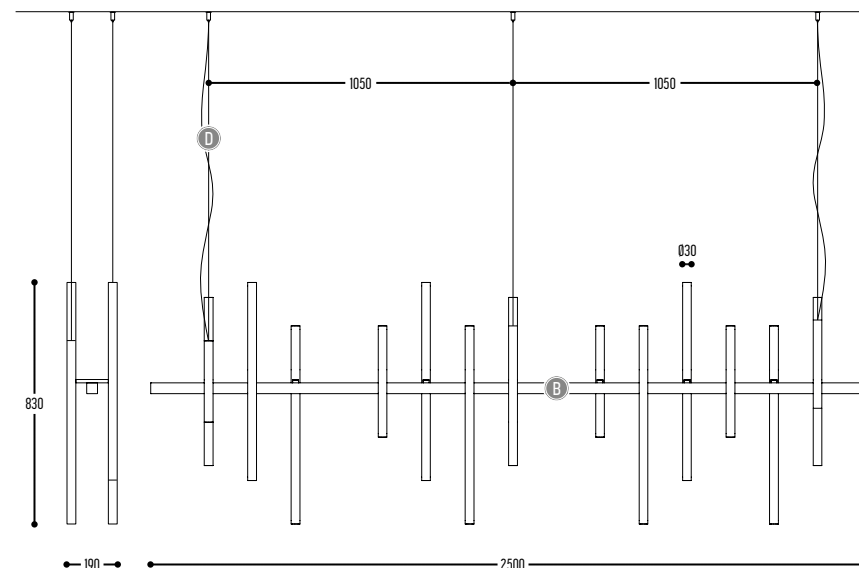
K	DRIVER	0	Non dimmable (extern)
		3	Dali / Push Dim (extern)

L	LIGHTING	1	down (1 driver extern)
		2	up/down (2 drivers extern)

MM	TYPE	01	1600 Concrete ceiling - driver remote - down
		02	1600 Concrete ceiling - driver remote - up/down
		03	1600 Concrete ceiling - driver in ceiling base - down
		04	1600 Concrete ceiling - driver in ceiling base - up/down
		05	1600 Plaster board - driver recessed in base - down
		06	1600 Plaster board - driver recessed in base - up/down
		07	1600 Plaster board - driver remote - down
		08	1600 Plaster board - driver remote - up/down



EQUALIZER 2500
3500-BB(B)-906H-DD-K-L-MM



BB(B)	COLORS	02	Black
		03	White
		10	Alu
		150	Bronze Light
		151	Bronze Dark

EFF	CRI • LUMENOUTPUT	906	>90 CRI • 600 Lm / 350 mA / 6,4 W
-----	-------------------	-----	-----------------------------------

H	COLOR TEMP.	2	2700 K
		3	3000 K

DD	SUSP. CABLE	01	1,5 m
		02	2,5 m

K	DRIVER	0	Non dimmable (extern)
		3	Dali / Push Dim (extern)

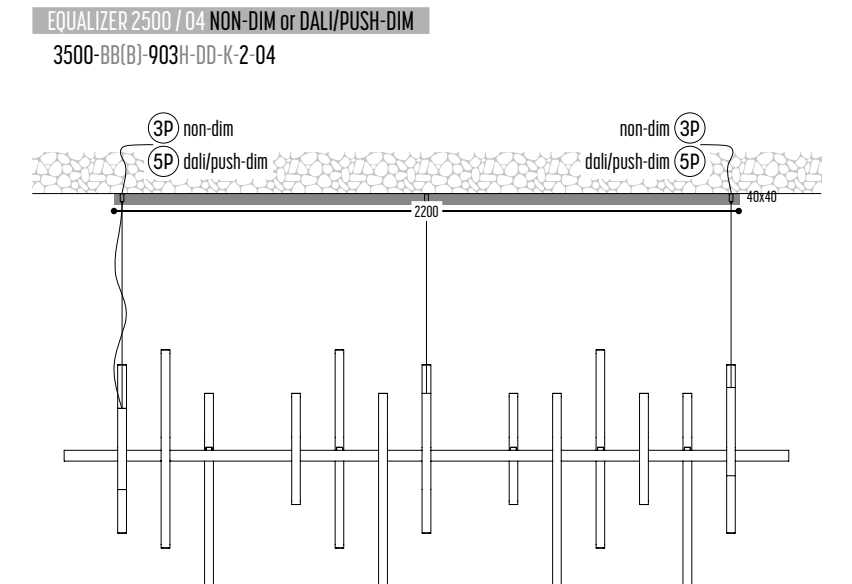
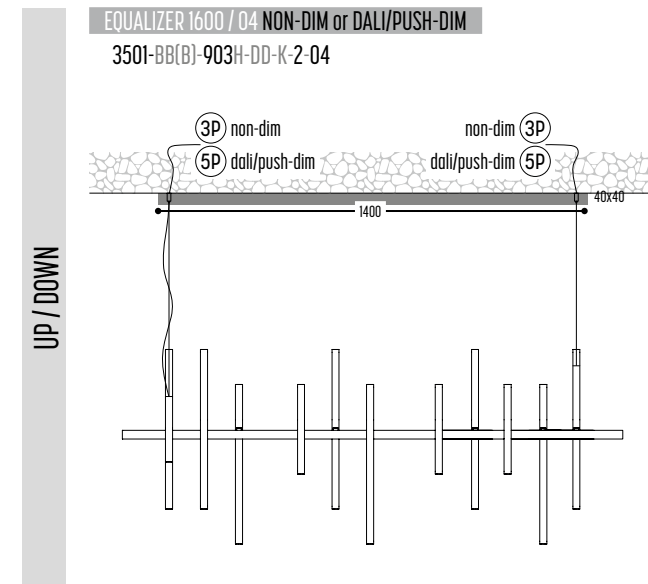
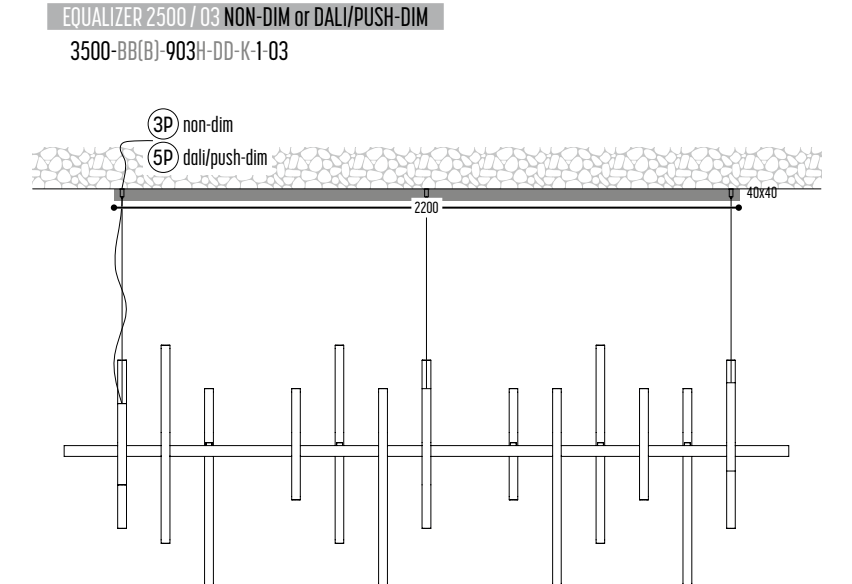
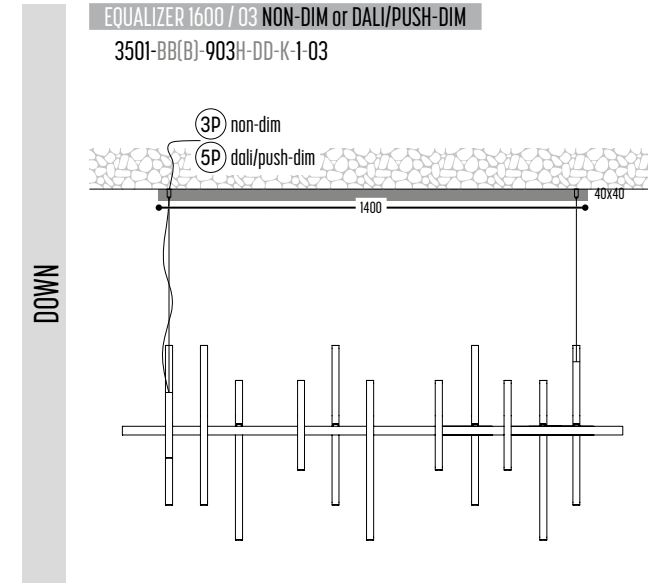
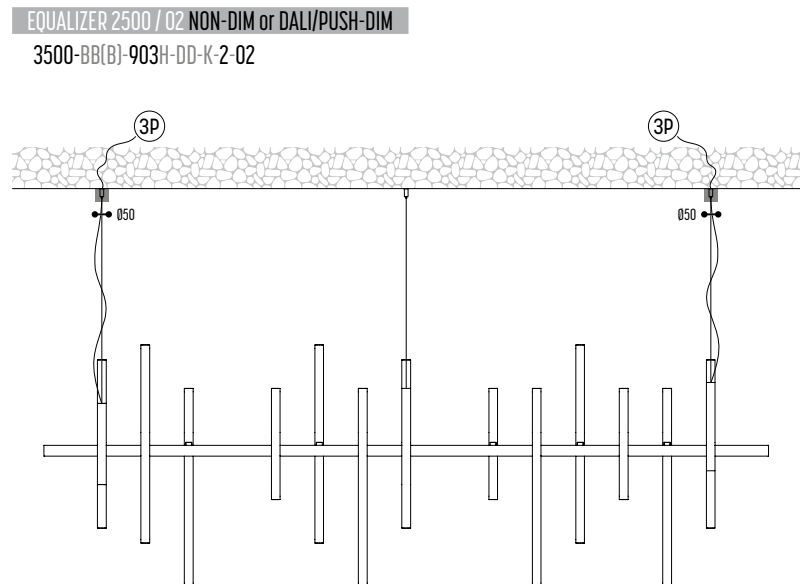
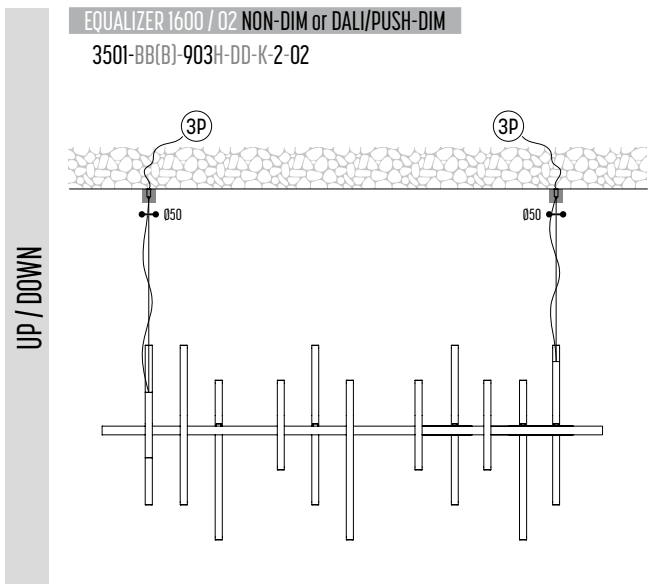
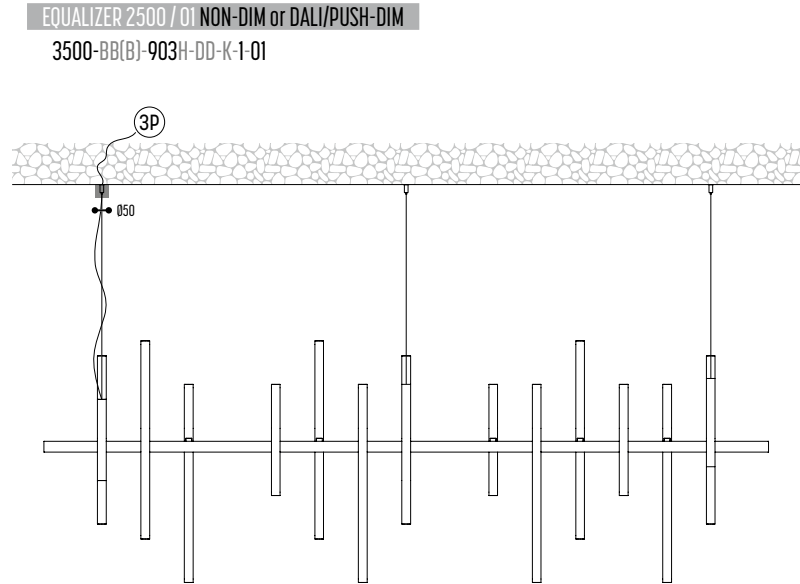
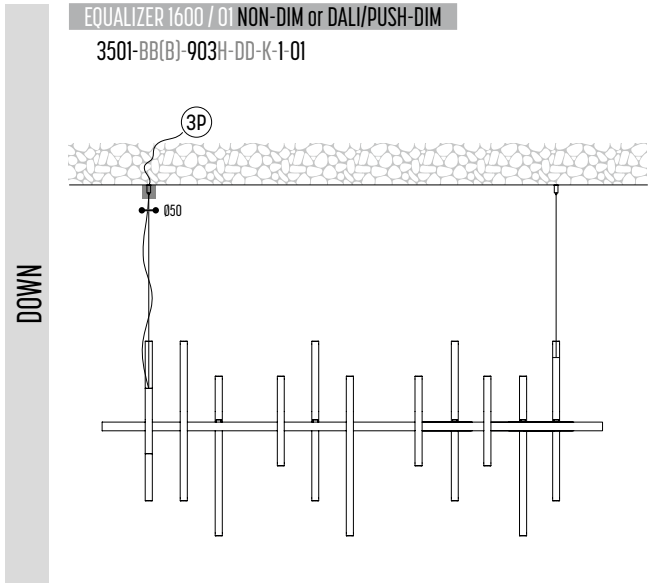
L	LIGHTING	1	down (1 driver extern)
		2	up/down (2 drivers extern)

MM	TYPE	01	2500 Concrete ceiling - driver remote - down
		02	2500 Concrete ceiling - driver remote - up/down
		03	2500 Concrete ceiling - driver in ceiling base - down
		04	2500 Concrete ceiling - driver in ceiling base - up/down
		05	2500 Plaster board - driver recessed in base - down
		06	2500 Plaster board - driver recessed in base - up/down
		07	2500 Plaster board - driver remote - down
		08	2500 Plaster board - driver remote - up/down

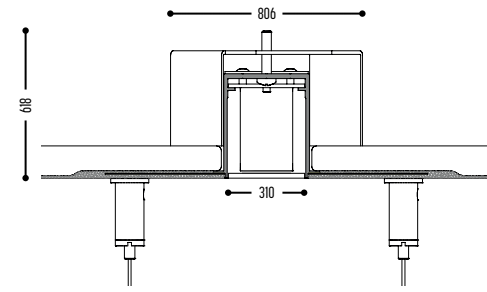


CONCRETE CEILING
DRIVER REMOTE

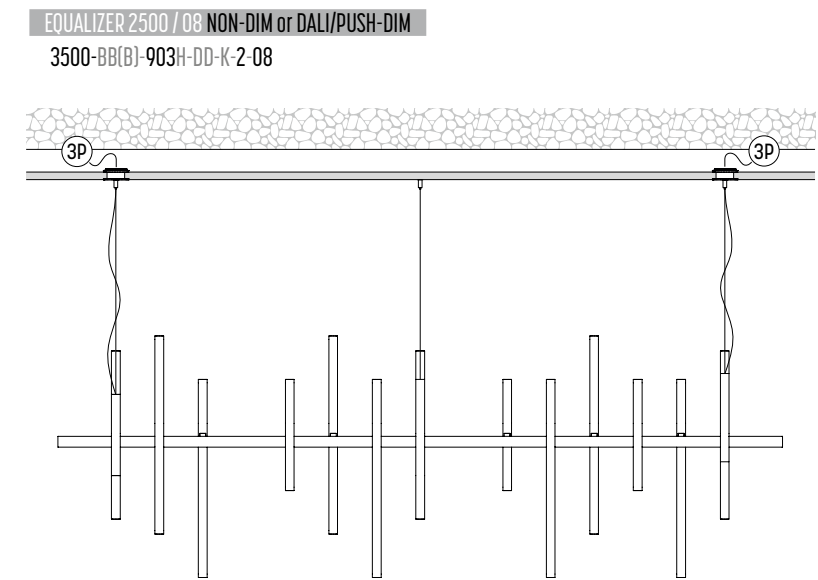
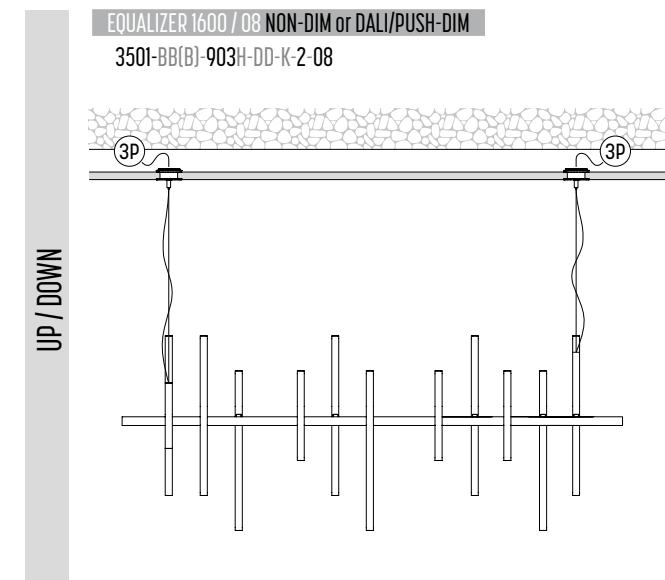
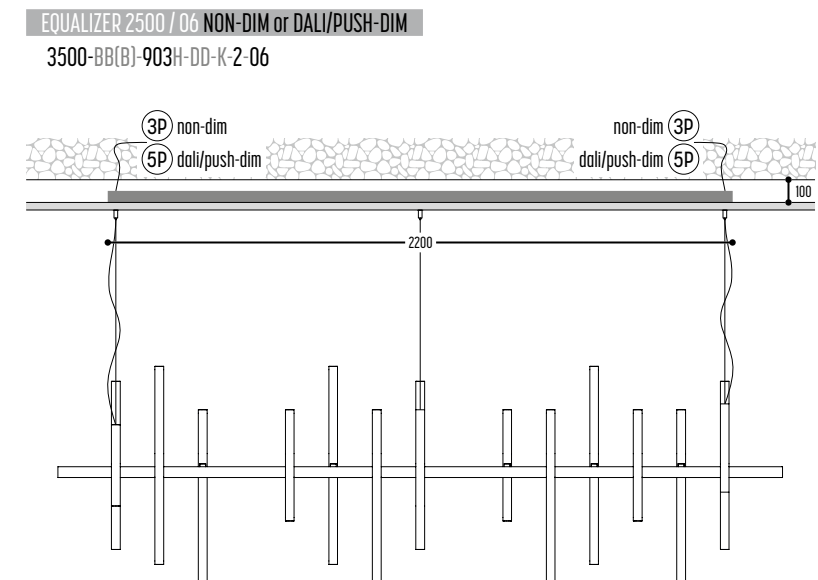
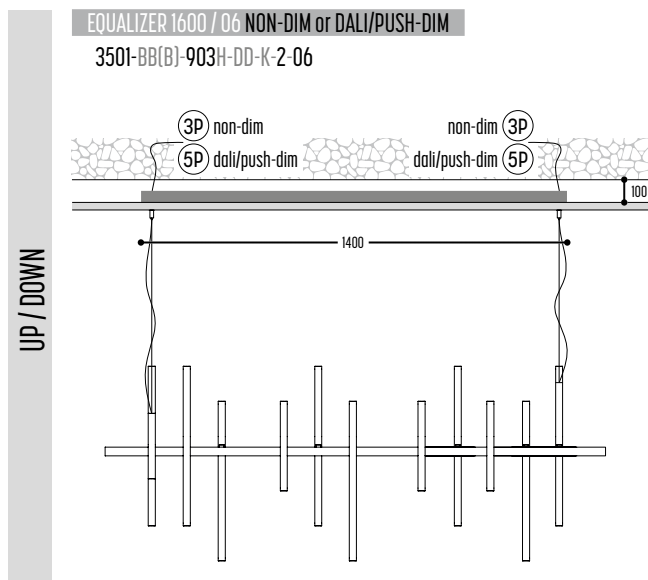
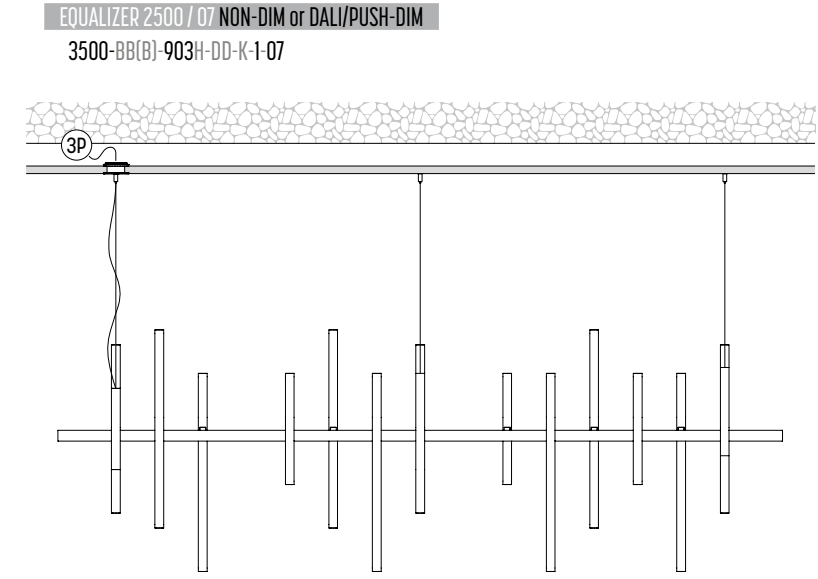
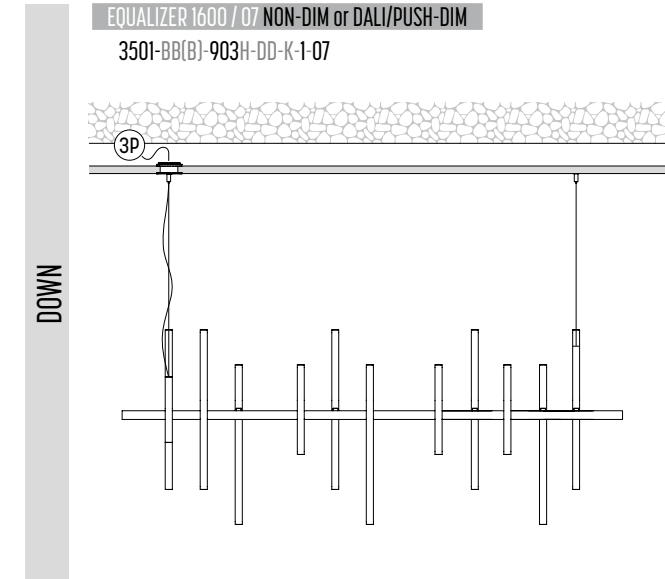
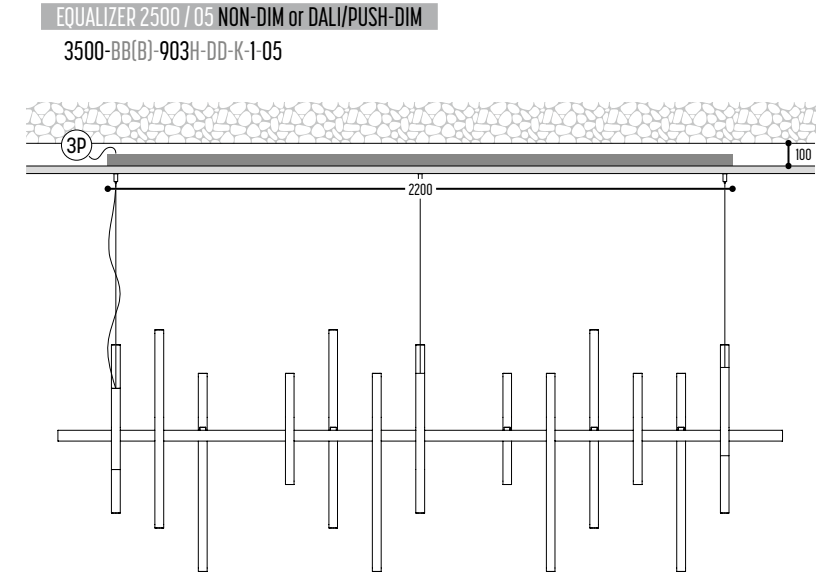
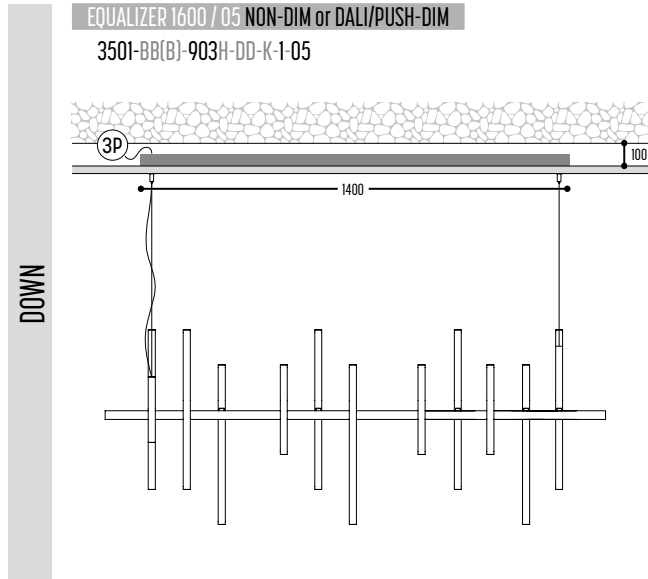
CONCRETE CEILING
DRIVER IN CEILING BASE



PLASTERBOARD – BA13
DRIVER RECESSED IN BASE

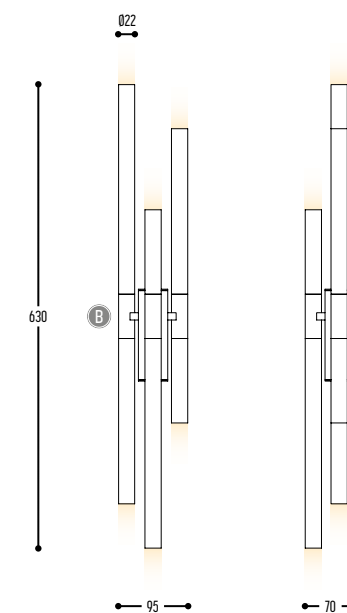


PLASTERBOARD – BA13
DRIVER REMOTE





EQUALIZER WALL
3502-BB(B)-903H-K



BB(B)	COLORS	02	Black
		03	White
		10	Alu
		150	Bronze Light
		151	Bronze Dark
EFF	CRI • LUMENOUTPUT	903	>90 CRI • 350 Lm / 350 mA / 3,5 W
H	COLOR TEMP.	2	2700 K
		3	3000 K
K	DRIVER	0	Non dimmable (intern)
		3	Dali (extern)
		4	Phase cut (intern)

