

TOTM
design studio bjorn verlinde

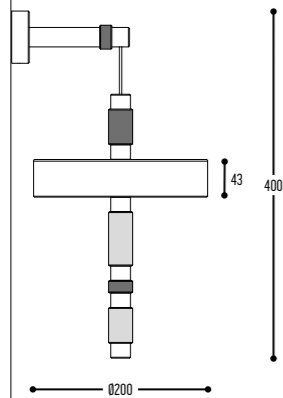


Bar Misera - Antwerpen - Studio Bjorn Verlinde

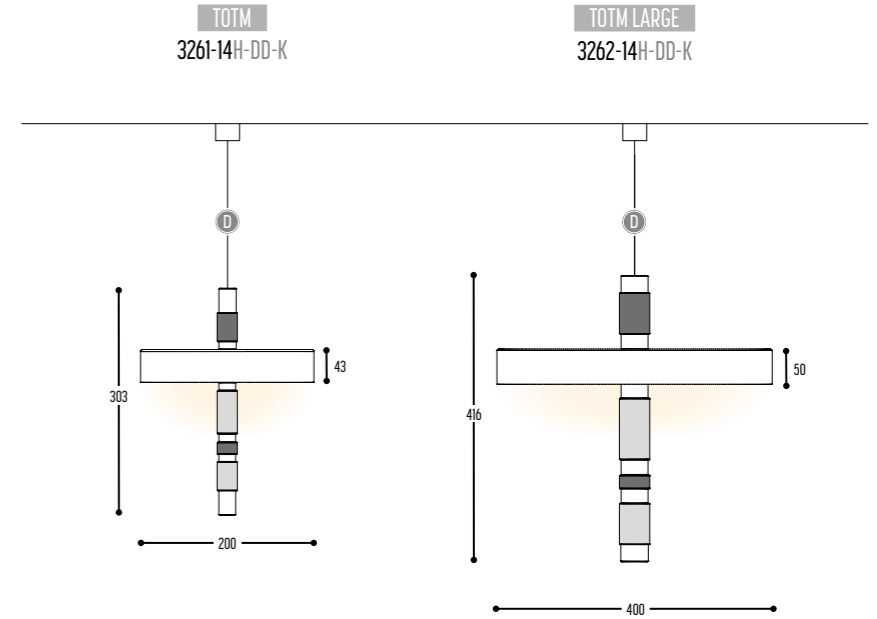
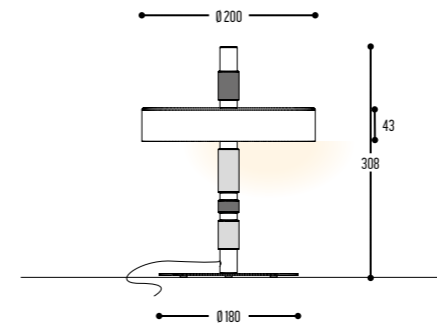




TOTM Wall
3265-14H-K



TOTM TABLE
3270-14



TOTM
3261-14H-DD-K

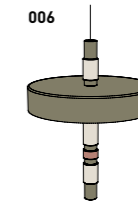
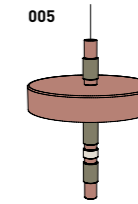
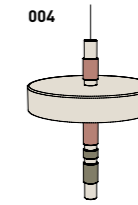
TOTM LARGE
3262-14H-DD-K

EF	CRI • LUMENOUTPUT	14	>90 CRI • 1502 Lm/m / 13W/m / 24V
H	COLOR TEMP.	2	2700K
		3	3000K
		4	4000K
DD	SUSP. CABLE	01	1,5 m
		02	2,5 m
K	DRIVER	1	No driver (CC)
		0	Non dimmable (intern)
		3	Dali (extern)
		4	Phase cut (intern)





COLOR THEMES



COL	COLOR THEME	004	
		005	
		006	

EF	CRI • LUMENOUTPUT	14	>90 CRI • 1502 Lm/m / 13W/m / 24V
H	COLOR TEMP.	2	2700K
		3	3000K
		4	4000K

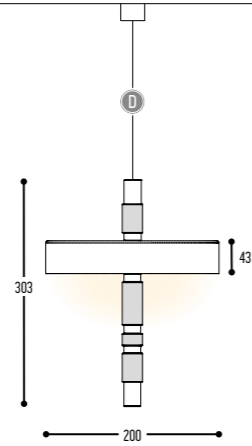
DD	SUSP. CABLE	01	1,5 m
		02	2,5 m

K	DRIVER	1	No driver (CC)
		0	Non dimmable (intern)
		3	Dali (extern)
		4	Phase cut (intern)

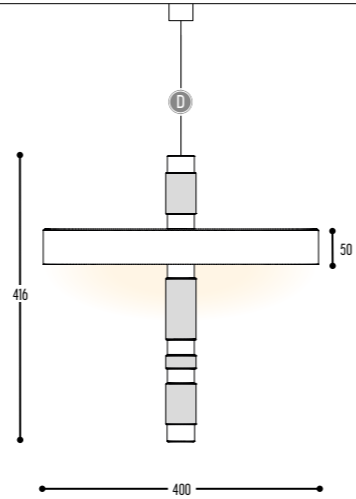
Alu



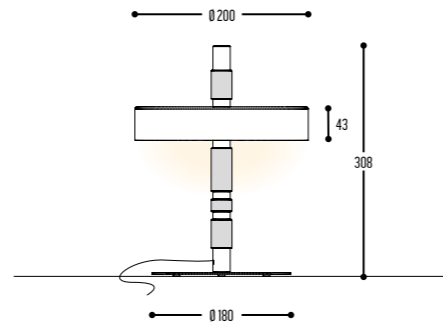
TOTM
3261-COL-14H-DD-K



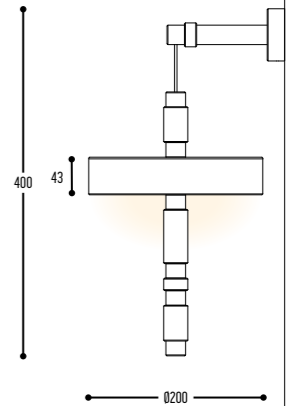
TOTM LARGE
3262-COL-14H-DD-K



TOTM TABLE
3270-COL-14



TOTM Wall
3265-COL-14H-K



COL	COLOR THEME	001	
		002	
		003	
EF	CRI • LUMENOUTPUT	14	>90 CRI • 1502 Lm/m / 13W/m / 24V
		2	2700K
		3	3000K
H	COLOR TEMP.	4	4000K
		01	1,5 m
DD	SUSP. CABLE	02	2,5 m
		1	No driver (CC)
K	DRIVER	0	Non dimmable (intern)
		3	Dali (extern)
		4	Phase cut (intern)

