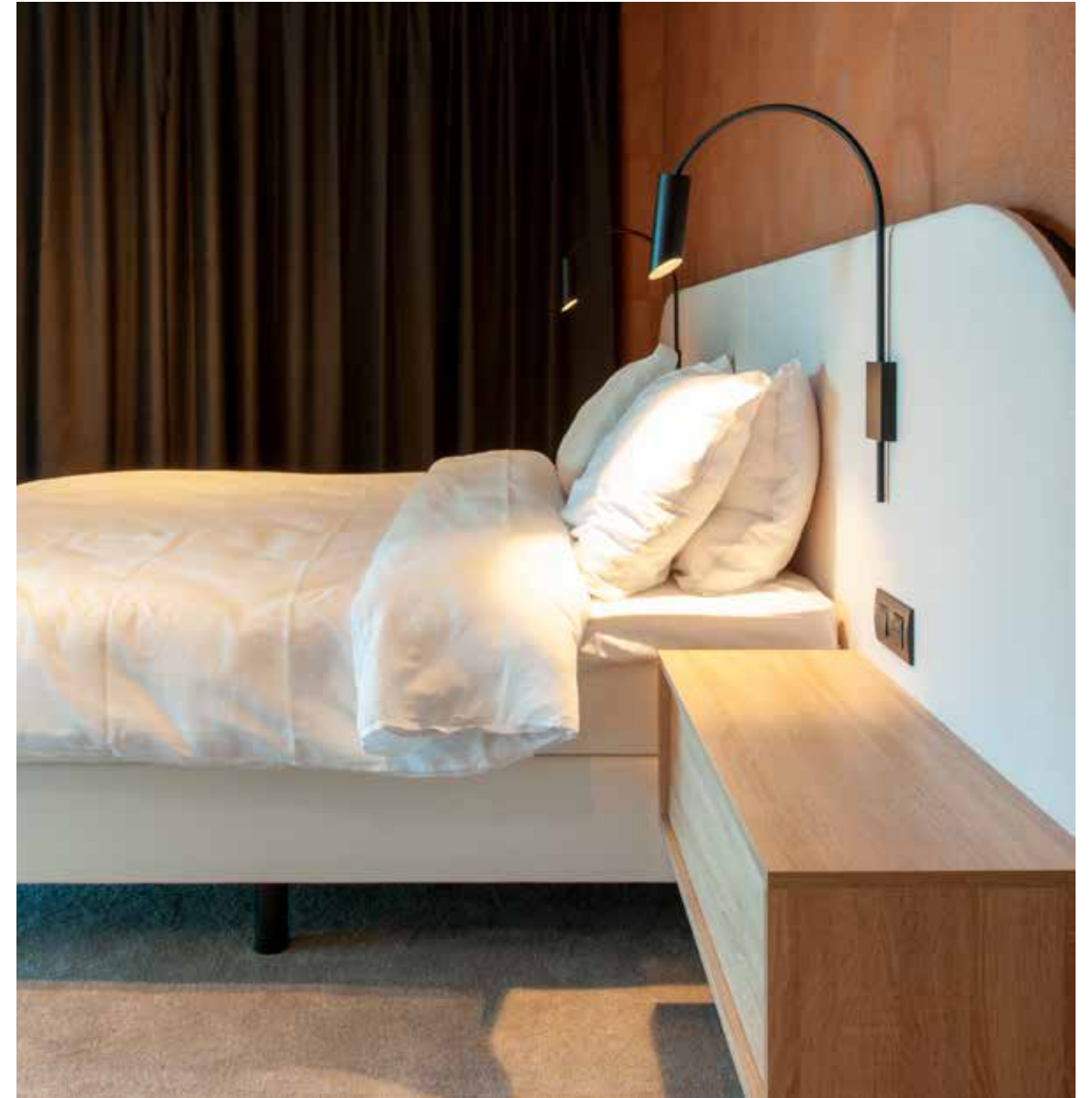
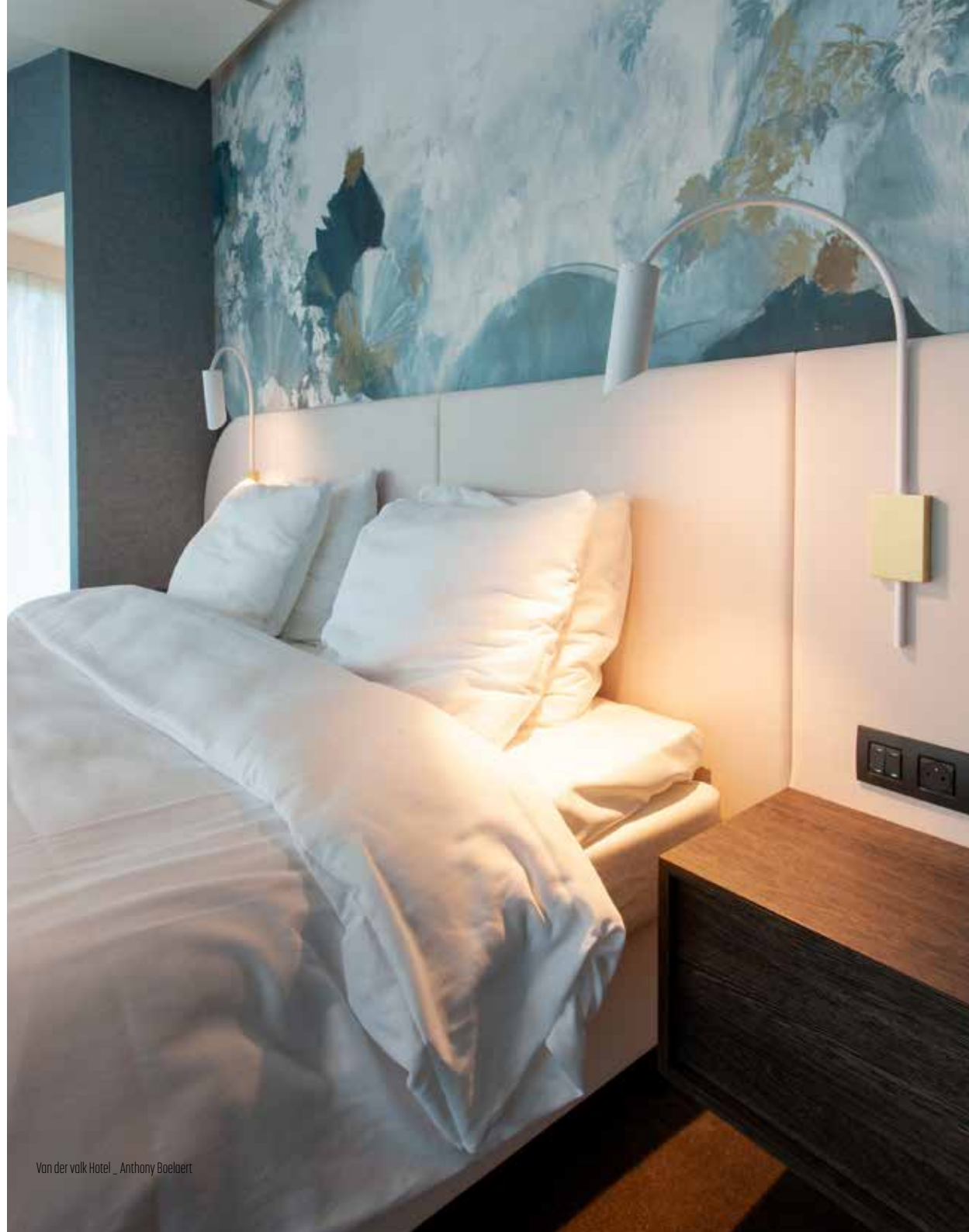


# WALLSTER JR

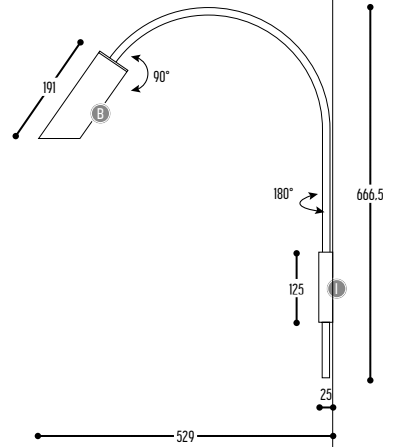
design anthony boelaert







Van der Valk Hotel \_ Anthony Boelaert



WALLSTER JR  
1120-BB-90600H-II(I)-K

BB(B)	COLORS	02		Black
		03		White
		150		Bronze light
		151		Bronze dark
EFF	CRI • LUMENOUTPUT	906	LED	>90 CRI • 600 Lm / 180 mA / 6,4 W
GG	REFLECTOR	00	N.A.	
H	COLOR TEMP.	2	2700K	
		3	3000K	
		4	4000K	
II(I)	COLORS	02		Black
		03		White
		110		Brass
		150		Bronze light
		151		Bronze dark
K	DRIVER	1	No driver (CC)	
		0	Non dimmable (intern)	
		3	Dali (extern)	
		3	Phase cut (extern)	

