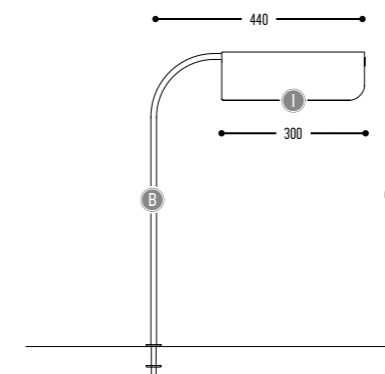


BENDIT TABLE

3453-BB(B)-H-II(I)-K



BENDIT

design anthony boelaert



BB(B)	COLORS	02	Black
		03	White
		10	Alu Satinated

FF	LED	26	>90 CRI • 620 Lm / 26 W/m
		2	2700K

H	COLOR TEMP.	3	3000K
		4	4000K

II(I)	COLORS	02	Black
		03	White
		10	Alu Satinated
		150	Bronze Light
		151	Bronze Dark
		111	Brass Finish
		101	Soft Pink
		103	Soft Blue
		104	Soft Green
		124	Kaki
		140	Old Pink
		141	Terracotta Red
		142	Oxide Red
		RAL color on request	

K	DRIVER	1	No driver (24V)
		0	Non dimmable (extern)
		3	Dali (extern)
		4	Phase cut (extern)

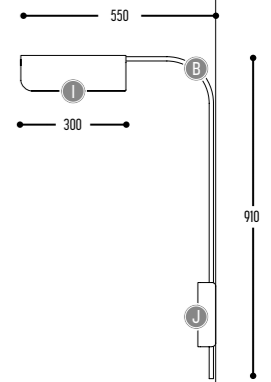
Metal-Alu





BB(B)	COLORS	02	Black
		03	White
		10	Alu Satinated
FF	LED	26	>90 CRI • 620 Lm / 26 W/m (WALL M) >90 CRI • 820 Lm / 26 W/m (WALL)
		H	COLOR TEMP.
		2	2700K
		3	3000K
		4	4000K
II(I)	COLORS	02	Black
		03	White
		10	Alu Satinated
		150	Bronze Light
		151	Bronze Dark
		111	Brass Finish
		101	Soft Pink
		103	Soft Blue
		104	Soft Green
		124	Kaki
		140	Old Pink
		141	Terracotta Red
		142	Oxide Red
JJ(J)	COLORS	02	Black
		03	White
		10	Alu Satinated
		150	Bronze Light
		151	Bronze Dark
		111	Brass Finish
		101	Soft Pink
		103	Soft Blue
		104	Soft Green
		124	Kaki
		140	Old Pink
		141	Terracotta Red
		142	Oxide Red
K	DRIVER	1	No driver (24V)
		0	Non dimmable (intern)
		3	Dali (extern)
		4	Phase cut (intern)

BENDIT WALL M
3450-BB(B)-H-II(I)-JJ(J)-K




Metal-Alu




BB(B)	COLORS	02	Black
		03	White
		10	Alu Satinated

FF	LED	26	>90 CRI • 620 Lm / 26 W/m (WALL M) >90 CRI • 820 Lm / 26 W/m (WALL)
----	-----	----	--

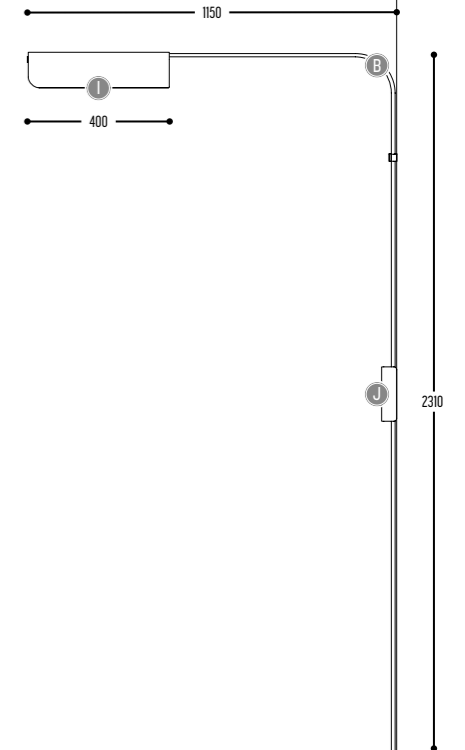
H	COLOR TEMP.	2	2700K
		3	3000K
		4	4000K

II(I)	COLORS	02	Black
		03	White
		10	Alu Satinated
		150	Bronze Light
		151	Bronze Dark
		111	Brass Finish
		101	Soft Pink
		103	Soft Blue
		104	Soft Green
		124	Kaki
		140	Old Pink
		141	Terracotta Red
		142	Oxide Red
		 RAL color on request	

JJ(J)	COLORS	02	Black
		03	White
		10	Alu Satinated
		150	Bronze Light
		151	Bronze Dark
		111	Brass Finish
		101	Soft Pink
		103	Soft Blue
		104	Soft Green
		124	Kaki
		140	Old Pink
		141	Terracotta Red
		142	Oxide Red
		 RAL color on request	

K	DRIVER	1	No driver (24V)
		0	Non dimmable (intern)
		3	Dali (extern)
		4	Phase cut (intern)

BENDIT WALL
3455-BB(B)-H-II(I)-JJ(J)-K



Metal-Alu

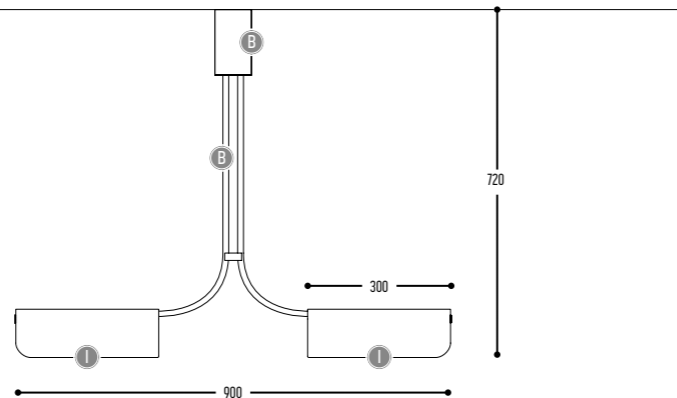









BENDIT S
3454-BB(B)-H-ii(i)-K



BB(B)	COLORS	02	Black
		03	White
		10	Alu Satinated
FF	LED	26	>90 CRI • 2X 620 Lm / 26 W/m
		2	2700K
H	COLOR TEMP.	3	3000K
		4	4000K
ii(i)	COLORS	02	Black
		03	White
		10	Alu Satinated
		150	Bronze Light
		151	Bronze Dark
		111	Brass Finish
		101	Soft Pink
		103	Soft Blue
		104	Soft Green
		124	Kaki
		140	Old Pink
		141	Terracotta Red
		142	Oxide Red
	RAL color on request		
K	DRIVER	1	No driver (24V)
		0	Non dimmable (intern)
		3	Dali (extern)
		4	Phase cut (intern)

