

# CUIABA

design clidier françois

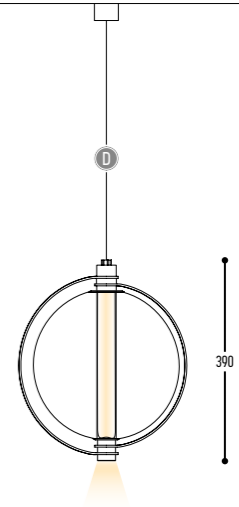






**⚠️ DISCLAIMER** – Nature decides the look of alabaster!

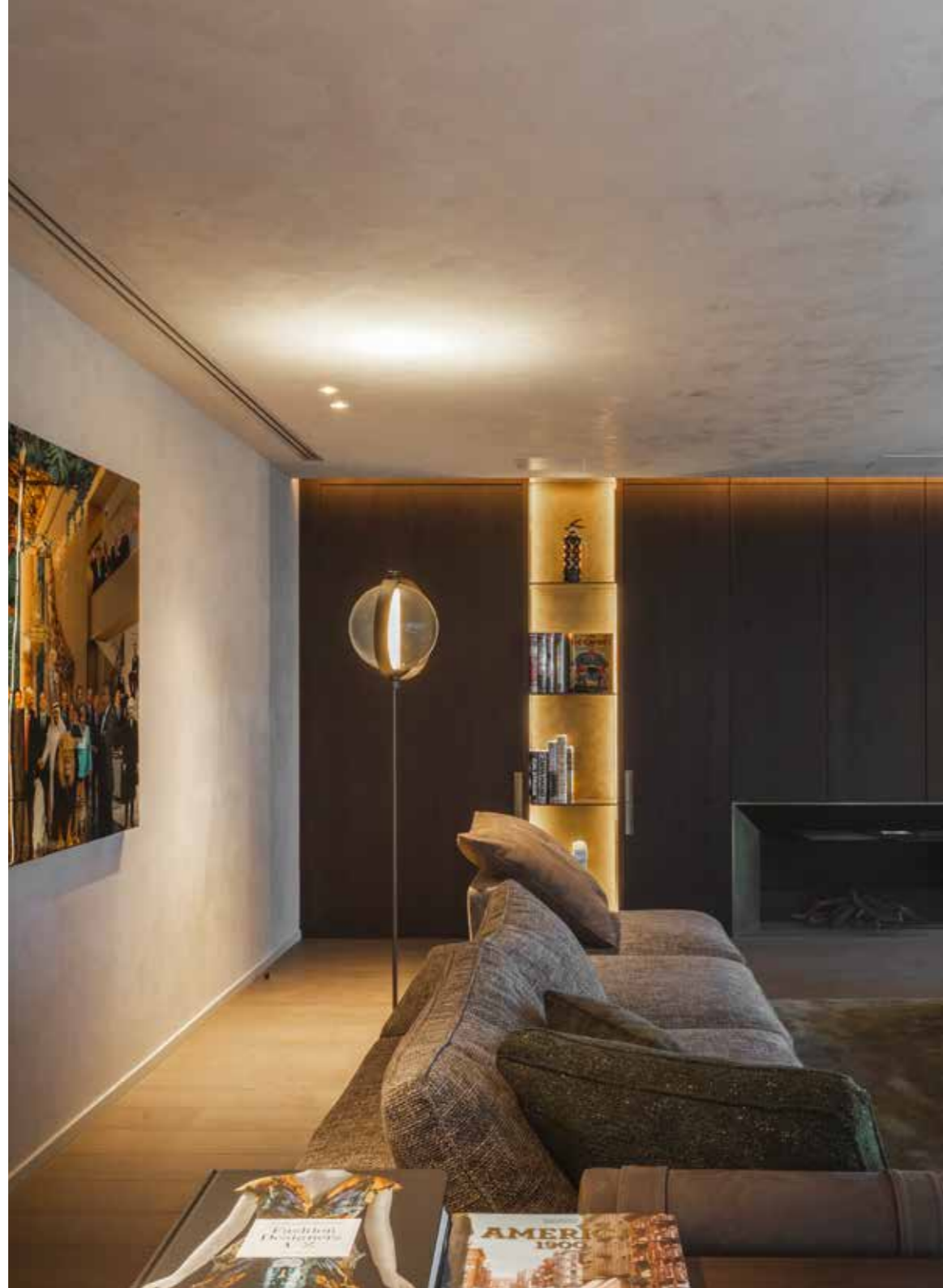
CUIABA S  
3103-134-90454H-DD-151-K



BB(B)	COLORS	134	Alabaster
EFF	CRI • LUMENOUTPUT	904	>90 CRI • 600 Lm / 350 mA / 6,4 W (CC) >90 CRI • 24V / 6,6 W (CV)
	ALABASTER		
GG	REFLECTOR	54	54°
H	COLOR TEMP.	2	2700K
		3	3000K
DD	SUSP. CABLE	01	1,5 m
		02	2,5 m
II(I)	COLOR	151	Bronze Dark (BRD)
K	DRIVER	1	No driver (2 drivers extern)
		0	Non dimmable (2 drivers intern)
		3	Dali (2 drivers extern)
		4	Phase cut (2 drivers intern)

Alu - Glass - Alabaster





**DISCLAIMER** – Nature decides the look of alabaster!

<b>3101</b>			
BB(B)	COLORS	134	Alabaster
EFF	CRI • LUMENOUTPUT	904	>90 CRI • 600 Lm / 350 mA / 6,4 W (CC)
	ALABASTER		>90 CRI • 24V / 6,6 W (CV)
GG	REFLECTOR	54	54°
H	COLOR TEMP.	2	2700K
		3	3000K

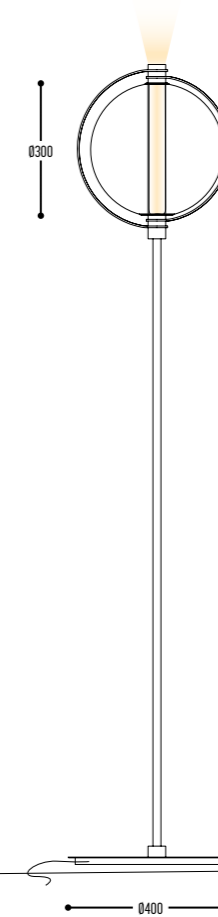
II(I)	COLOR	151	Bronze Dark (BRD)
-------	-------	-----	-------------------

<b>3100</b>			
BB(B)	COLORS	134	Alabaster
	ALABASTER		>90 CRI • 24V / 6,6 W (CV)

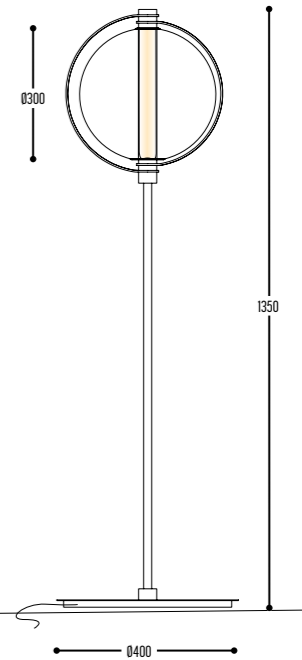
II(I)	COLOR	151	Bronze Dark (BRD)
-------	-------	-----	-------------------



**CUIABA FLOOR 180**  
3101-134-90454(H)-151



**CUIABA FLOOR 135**  
3100-134-151

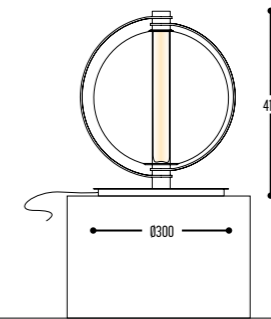




DISCLAIMER – Nature decides the look of alabaster!



CUIABA TABLE  
3102-134-151



BB(B)	COLORS	134	Alabaster
	ALABASTER	>90 CRI • 24V / 6,6 W (CV)	
II(I)	COLOR	151	Bronze Dark (BRD)

Alu - Glass - Alabaster