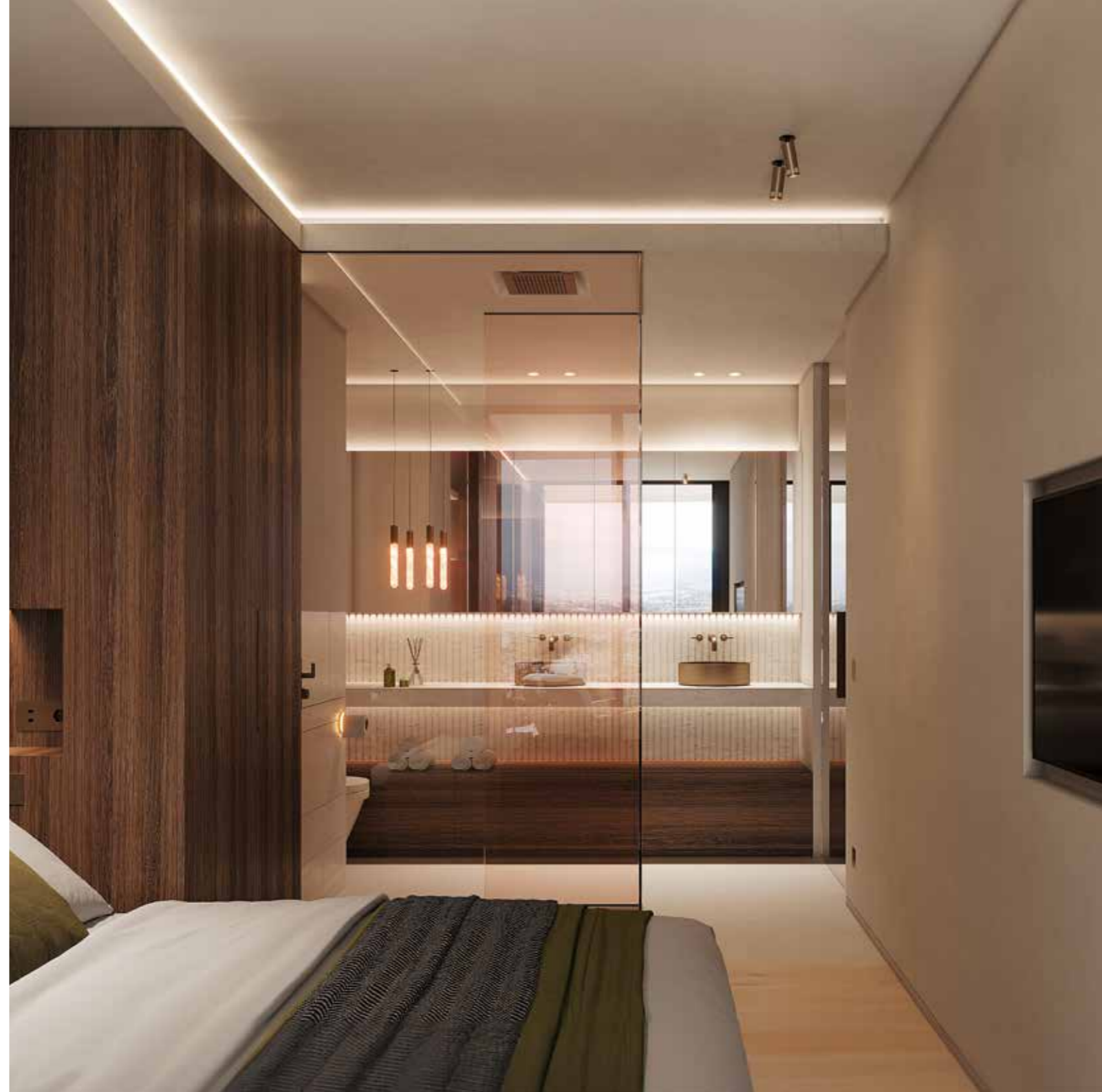
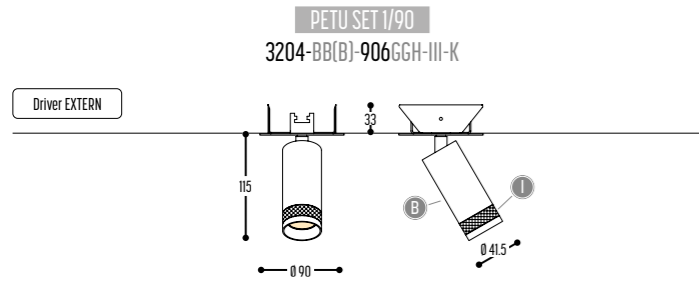
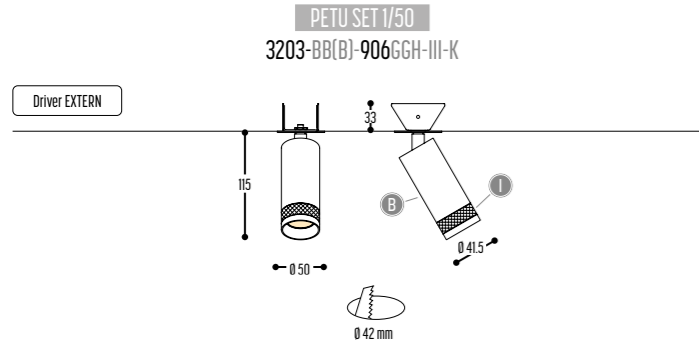


PETU

design dark studio







ACCESSORIES p. 523

	HONEYCOMB	172-9005-436099	Black
		172-9003-436099	White
		172-0112-436099	Gold

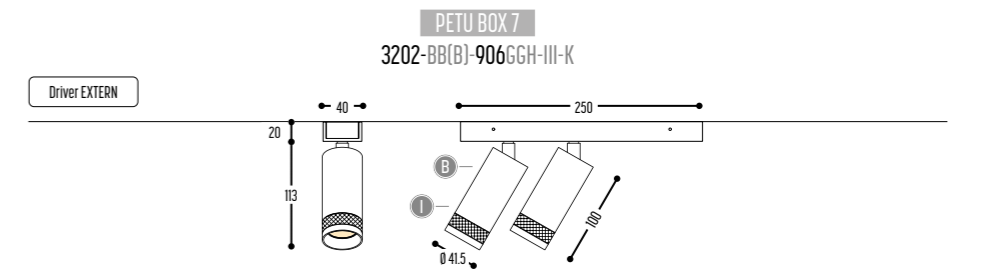
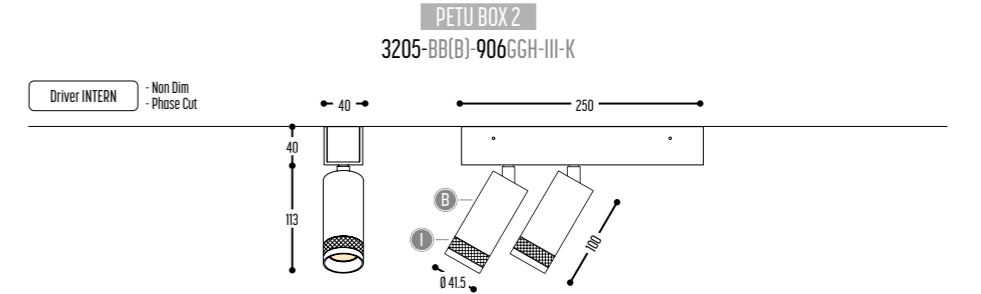
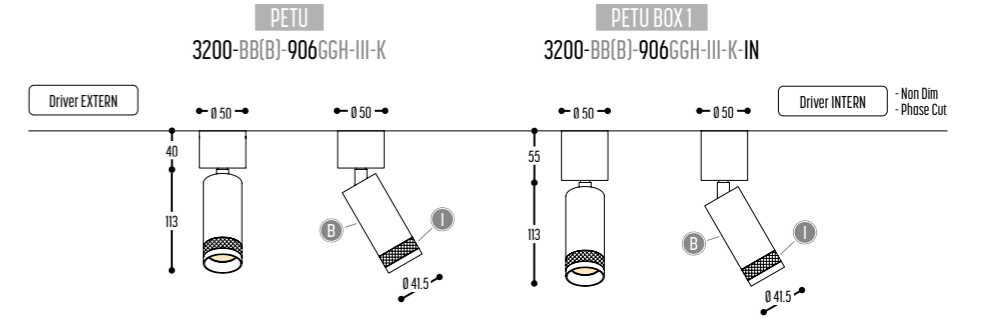


BB(B)	COLORS	02	Black
		10	Alu Satinised
		150	Bronze Light
		151	Bronze Dark

EFF	CRI • LUMENOUTPUT	906	>90 CRI • 600 Lm / 350 mA / 6,4 W
		22	22°
		34	34°
GG	REFLECTOR	54	54°
		2	2700K
		3	3000K
H	COLOR TEMP.	4	4000K

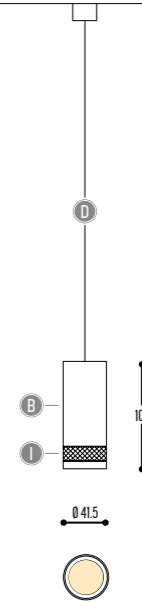
III	COLOR	02	Black
		10	Alu Satinised
		150	Bronze Light
		151	Bronze Dark

K	DRIVER	1	No driver (CC)
		0	Non dimmable (intern)
		3	Dali (extern)
		4	Phase cut (extern)





PETUS
3201-BB(B)-906GGH-DD-III-K



BB(B)	COLORS	02	Black
		10	Alu Satinated
		150	Bronze Light
		151	Bronze Dark

EFF	CRI • LUMENOUTPUT	906	>90 CRI • 600 Lm / 350 mA / 6,4 W
		22	22°
		34	34°
GG	REFLECTOR	54	54°
		2	2700K
		3	3000K
H	COLOR TEMP.	4	4000K

DD	SUSP. CABLE	01	1,5 m
		02	2,5 m
		03	5 m

III	COLOR	02	Black
		10	Alu Satinated
		150	Bronze Light
		151	Bronze Dark

K	DRIVER	1	No driver (CC)
		0	Non dimmable (intern)
		3	Dali (intern)
		4	Phase cut (intern)



ACCESSORIES p. 523

	HONEYCOMB	172-9005-436099	Black
		172-9003-436099	White
		172-0112-436099	Gold