

TOTM  
design studio bjorn verlinde



Bar Misera - Antwerpen - Studio Bjorn Verlinde

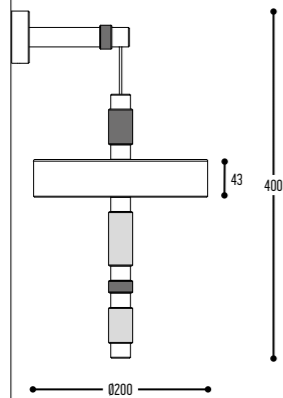


WINNER

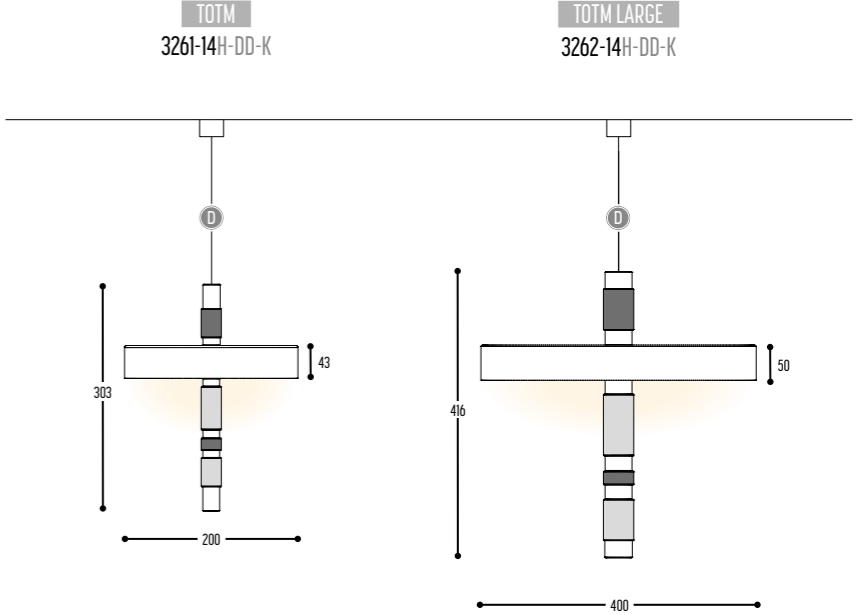
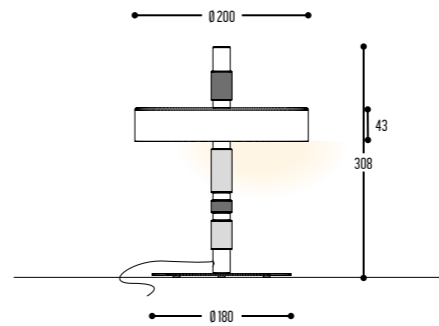




TOTM Wall  
3265-14H-K



TOTM TABLE  
3270-14

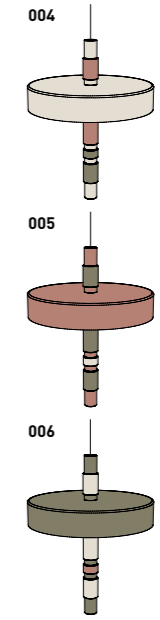


EF	CRI • LUMENOUTPUT	14	>90 CRI • 1502 Lm/m / 13W/m / 24V
H	COLOR TEMP.	2	2700K
		3	3000K
		4	4000K
DD	SUSP. CABLE	01	1,5 m
		02	2,5 m
K	DRIVER	1	No driver (CC)
		0	Non dimmable (intern)
		3	Dali (extern)
		4	Phase cut (intern)





COLOR THEMES

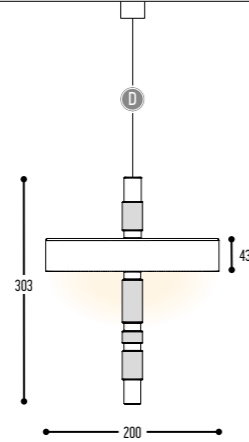


COL	COLOR THEME	004	
		005	
		006	
EF	CRI • LUMENOUTPUT	14	>90 CRI • 1502 Lm/m / 13W/m / 24V
		2	2700K
		3	3000K
		4	4000K
H	COLOR TEMP.	2	2700K
		3	3000K
DD	SUSP. CABLE	01	1,5 m
		02	2,5 m
K	DRIVER	1	No driver (CC)
		0	Non dimmable (intern)
		3	Dali (extern)
		4	Phase cut (intern)

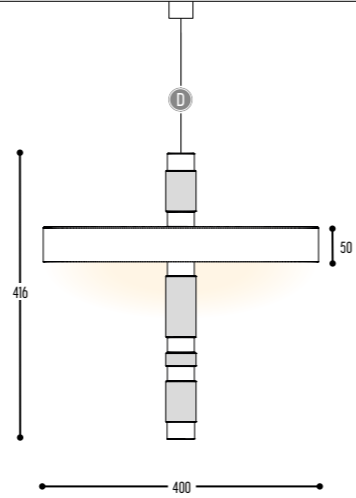
Alu



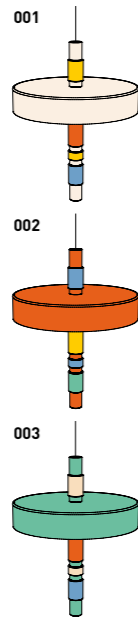
TOTM  
3261-COL-14H-DD-K



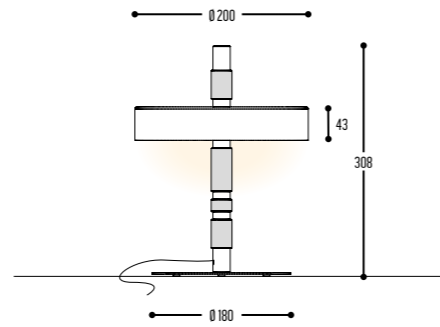
TOTM LARGE  
3262-COL-14H-DD-K



COLOR THEMES



TOTM TABLE  
3270-COL-14



COL	COLOR THEME	001	
		002	
		003	
EF	CRI • LUMENOUTPUT	14	>90 CRI • 1502 Lm/m / 13W/m / 24V
		2	2700K
		3	3000K
		4	4000K
H	COLOR TEMP.	2	2700K
		3	3000K
DD	SUSP. CABLE	01	1,5 m
		02	2,5 m
K	DRIVER	1	No driver (CC)
		0	Non dimmable (intern)
		3	Dali (extern)
		4	Phase cut (intern)



TOTM Wall  
3265-COL-14H-K

